

J-VICE®

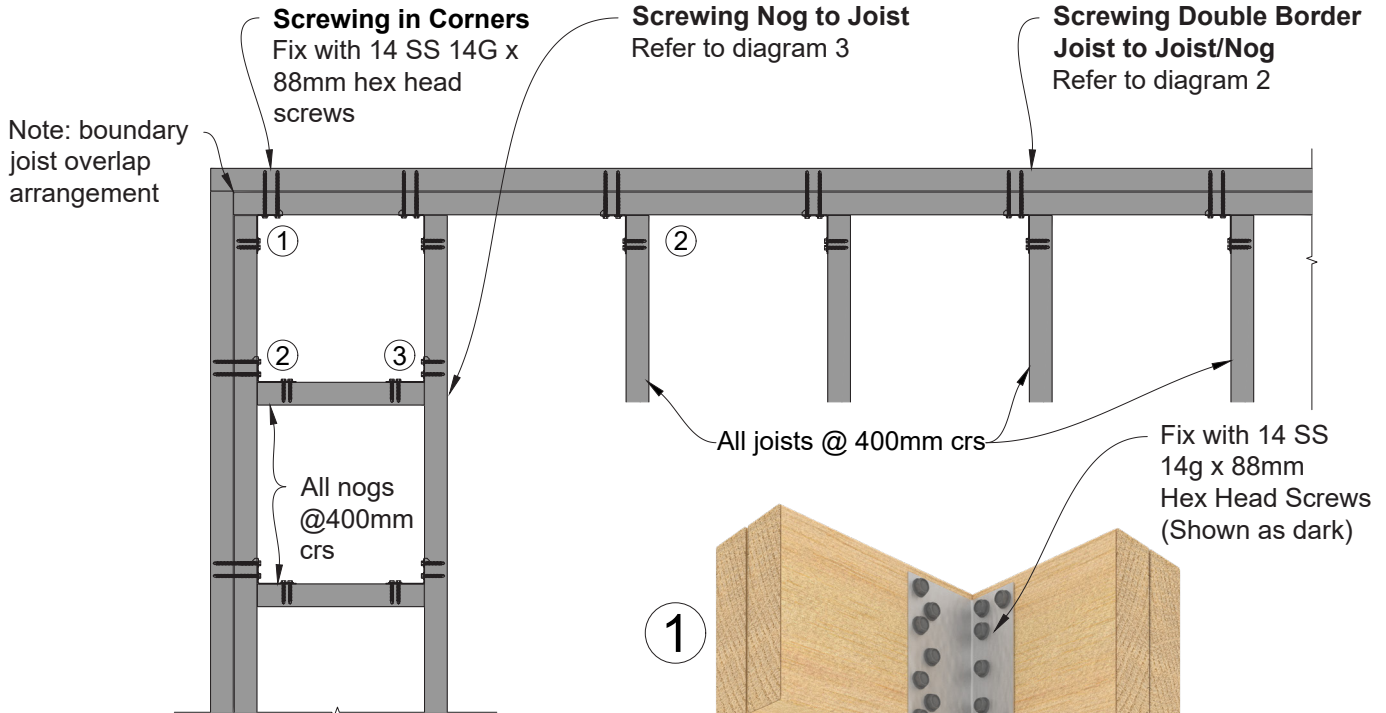
Typical Double Boundary Joist Timber Deck Construction Details

Alternative solution to NZS 3604:2011 7.4.1.3

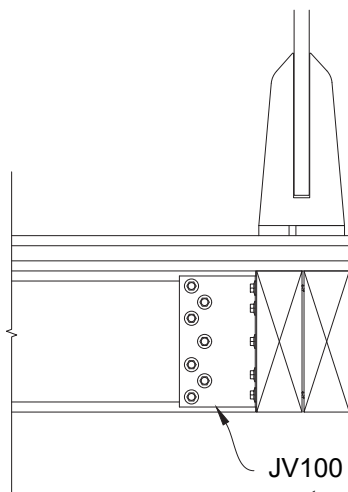
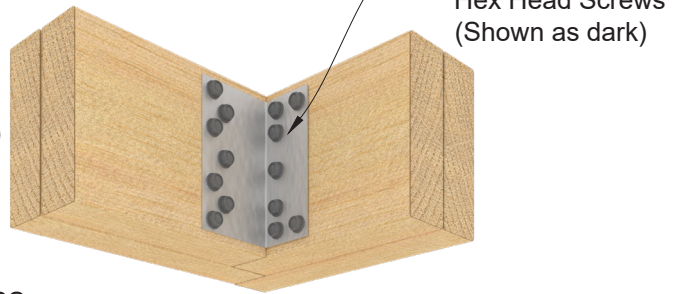
detailed to resist twisting of the boundary joist and joist hanger.

Deck designer to ensure the structure can support the appropriate horizontal and vertical loads.

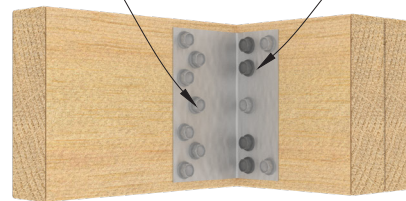
This page applies to Glass Vice System - Top/ side fix Clearline balustrade system and Southern Lites (Side Fix) Balustrade system



1

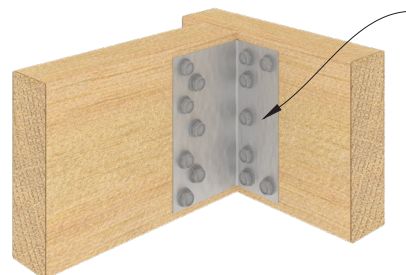


2



Double boundary joist to nog/joist

3



Single joist to nog

Suits Joist Sizes
140 x 45mm
190 x 45mm
240 x 45mm
290 x 45mm

*All fasteners must be 316 stainless steel

Double

J-VICE®

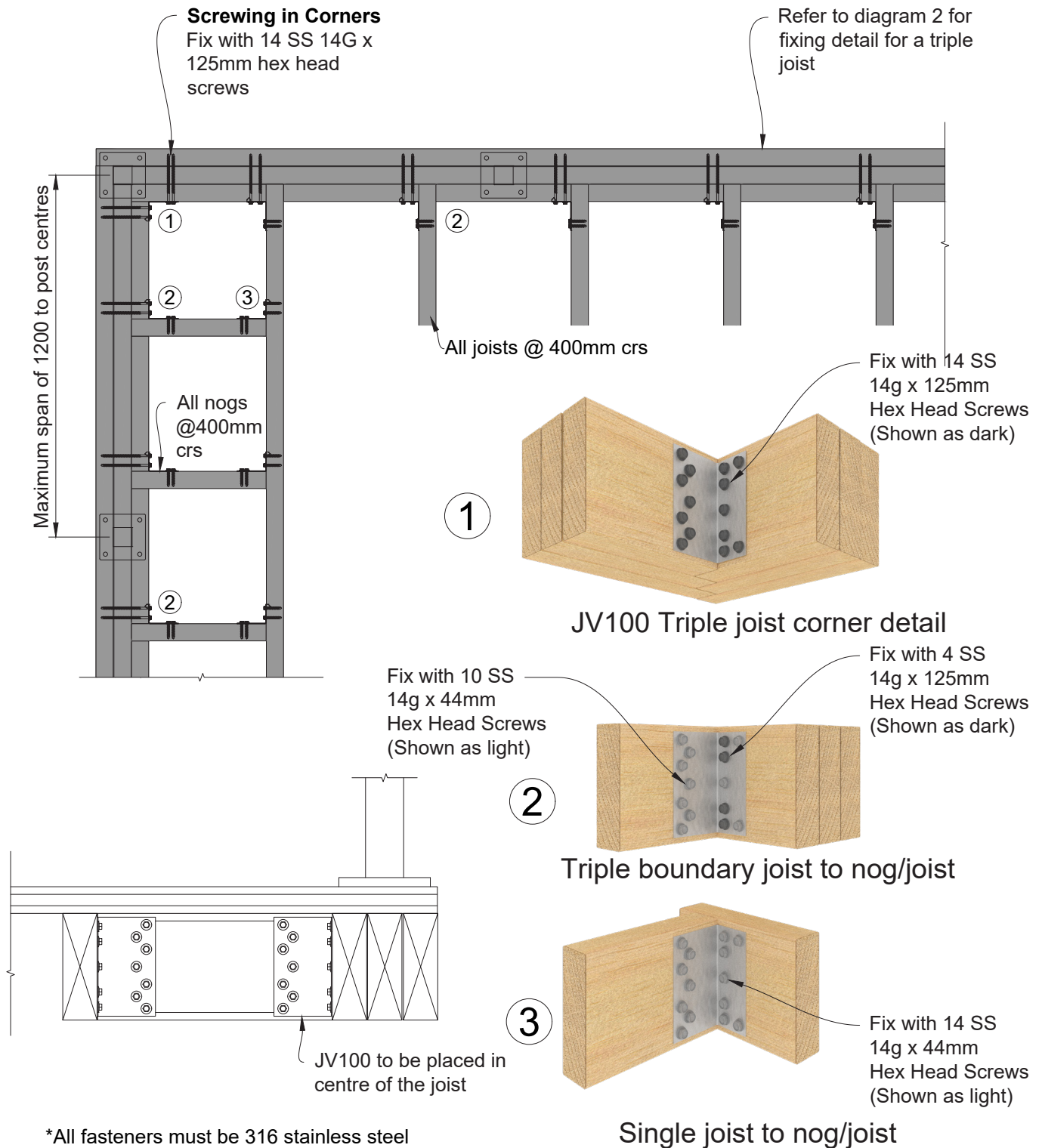
Typical Triple Boundary Joist Timber Deck Construction Details

Alternative solution to NZS 3604:2011 7.4.1.3

detailed to resist twisting of the boundary joist and joist hanger.

Deck designer to ensure the structure can support the appropriate horizontal and vertical loads.

This page applies to Glass Vice System - Top fix Barrier systems



Triple