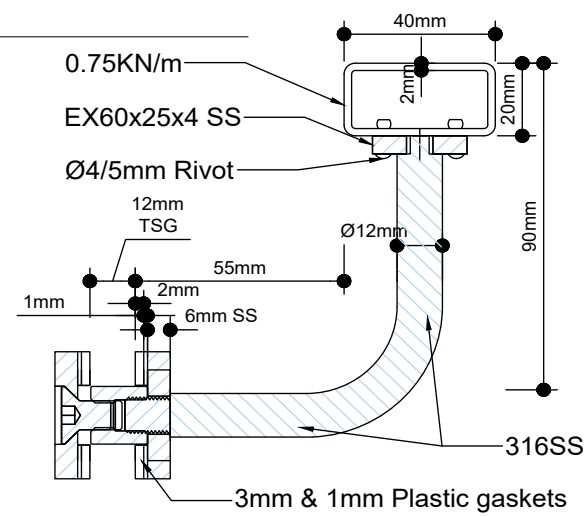


Plan 3737WH2



Handrail Detail

© 2016. The copyright of this document is the property of Glass Vice Limited and shall not be reproduced, copied, loaned or disposed of directly, or indirectly, nor used for any purpose other than that for which it is specifically furnished without prior consent.

All dimensions in millimetres



**Glass Vice® Clearline®**  
 1800mm High Toughened Safety Glass Balustrade/Windbreak With Handrail

Date: September, 2017 www.glassvice.com  
 Scale: Scale 1:25 Phone +64 9 414 6565  
 info@glassvice.com

Quick Code:

**GV15W2**