



# GV Aluminium Pool Fencing

A range of Aluminium Pool fencing solutions

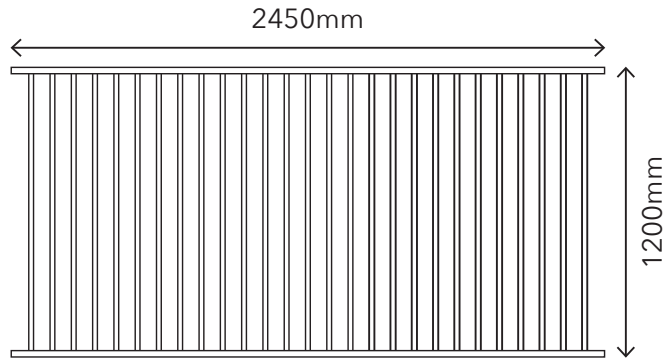
Create a clear vision  
Create a clear vision

**GLASS VICE**<sup>®</sup>



# Technical specifications

## Flat Top Panel



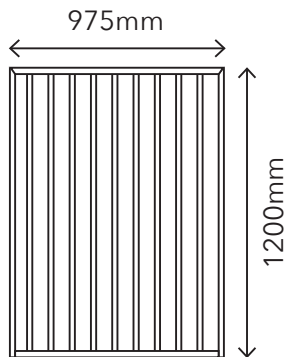
### ADVANTAGES:

- 6 Point Welds
- Pickets: 16mm Diameter x 1.2mm (Alloy 6063-T6)
- Spacings: 72.1mm Gap With 88.1mm Centre
- Rails: 38 x 25 x 1.6mm
- Genuine Australian Interpon Powdercoat
- Compliant To AS1926.1-2012
- Available in Satin Black

Order Code	Description
GVTUBULAR001	Flat Top Panel - Satin Black

## Flat Top Gate

Glass Vice Accessories available: posts, hinges and latches



### ADVANTAGES:

- 6 Point Welds
- Pickets: 16mm Diameter x 1.2mm (Alloy 6063-T6)
- Spacings: 72.1mm Gap With 88.1mm Centre
- Rails: 38 x 25 x 1.6mm
- Genuine Australian Interpon Powdercoat
- Compliant To AS1926.1-2012
- Mitred Top Corners - Gate
- Available in Satin Black

Order Code	Description
GVTUBULAR002	Flat Top Gate - Satin Black

## Fencing accessories



**D&D Technologies**  
Hi-Performance Hardware

### Magna latch with KWIK fit hinge pair

- Rated for gates up to 20kG
- Magnetically triggered latching lockable latch
- Award winning latch
- Supplier code: MLKFSK

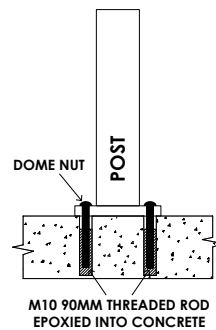
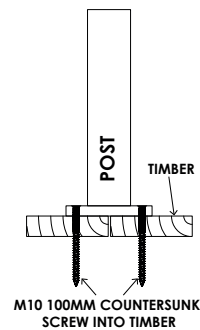
Order Code: **GVTUBULAR020**



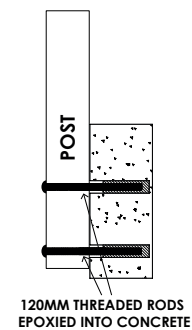
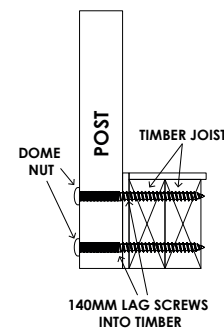
Glass Vice®  
0800 700 797  
www.glassvice.com

Office and Showroom:  
24c William Pickering Drive,  
Albany, Auckland  
Phone: 09 414 6565 | Fax: 09 414 6575  
Email: info@glassvice.com

## Top Fixed Aluminium Solutions



## Side Fixed Aluminium Solutions



**19mm**  
gap spacing

**D&D Technologies**  
Hi-Performance Hardware

### KWIK Fit hinges Fixed tension



- Self closing fixed tension hinges
- Special fitting legs for ease of alignment with post & gate
- Strong polymer & stainless steel
- Torsion spring construction
- Rated for gates up to 20kG self close
- Supplier code: KFS

Order Code: **GVTUBULAR030**

