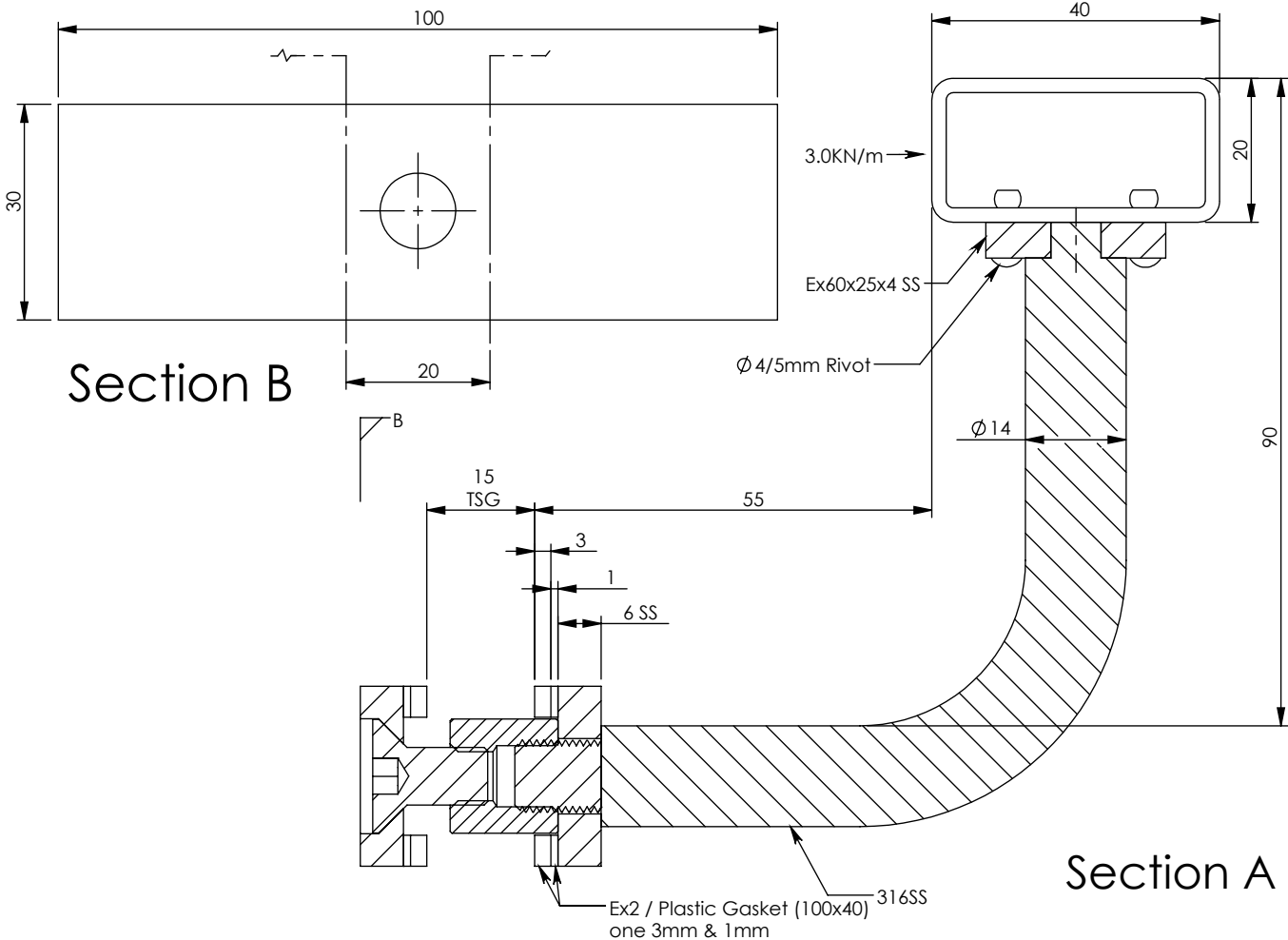


3kN/m Imposed Action
15mm Toughened Safety Glass Balustrade and 40 x 20 x 2 RHS Handrail



84 Stanford Park Rd.
Hillsborough, Auckland
New Zealand
Phone 0064 09 6254823
0064 09 6255085
Fax 0064 09 6254825
0064 09 6255085
Mob 021 795 004

Notes
Refer to sheet 4 Vice
Clamps for moment
capacities

Revisions

Date 04/04/2016
Designed E Lapish
Drawn S Brockett
Checked
Scale 1:10/1:30
Size A4

Lapish Enterprises Ltd

Project
Glass Vice Balustrades & Handrail to
NZBC B1/VMI
Clause 2.2.7
AS/NZS 1170 Part 1 Clause 3.6

Plan Number 3757

Sheet 5

Revision A