

© 2021. The copyright of this document is the property of Glass Vice Limited and shall not be reproduced, copied, loaned or disposed of directly, or indirectly, nor used for any purpose other than that for which it is specifically furnished without prior consent.

gv_southernlites_details.rvt
All dimensions in millimetres



Southern Lites® Semi Frameless

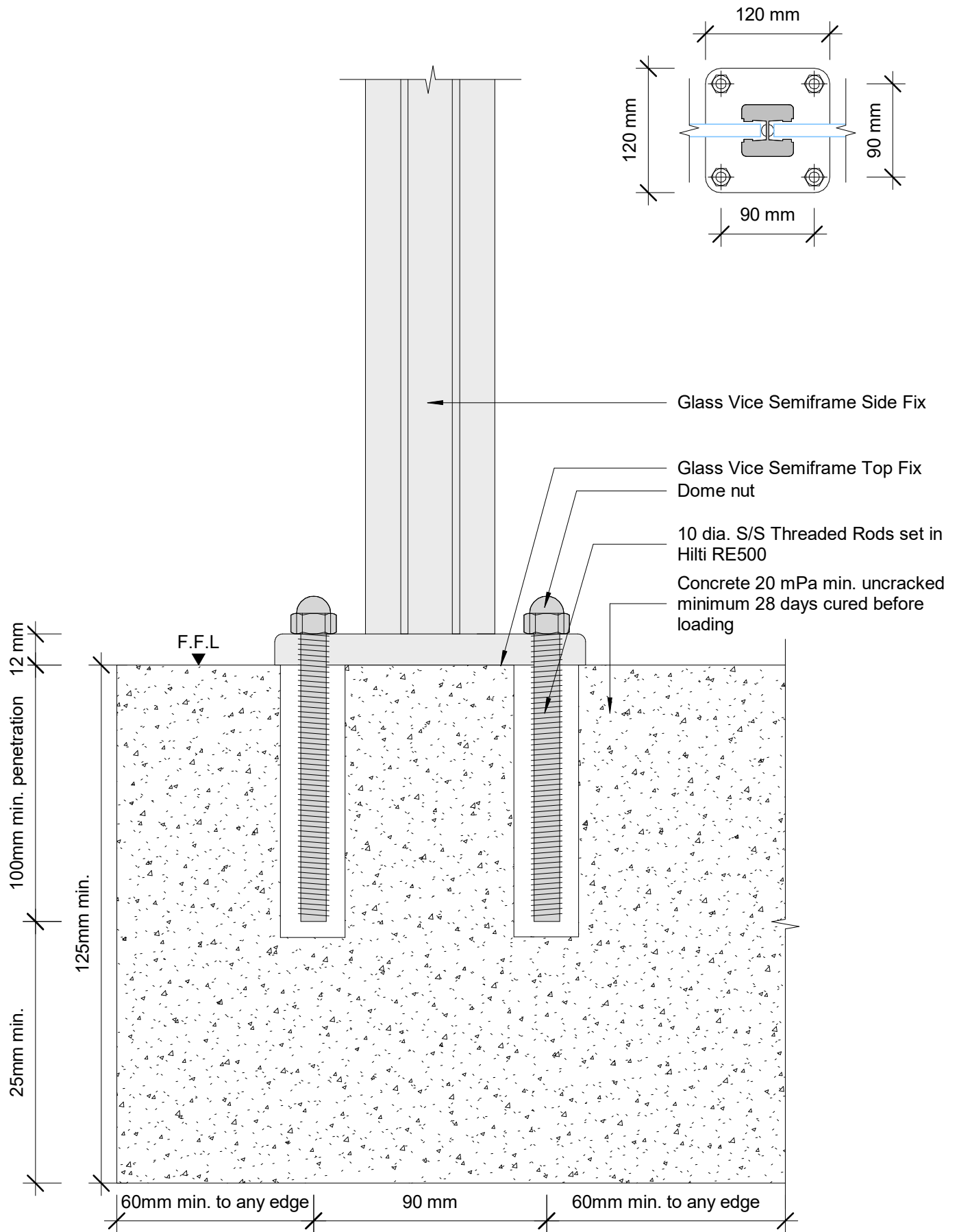
Detail
Fixing Details
Side Fix Concrete 4/M 10x100mm

Date: October 2019
Scale: As indicated
Preliminary

www.glassvice.com
Phone +64 9 414 6565
info@glassvice.com

Quick Code:

GV_SL9_DCO_SF_01



© 2021. The copyright of this document is the property of Glass Vice Limited and shall not be reproduced, copied, loaned or disposed of directly, or indirectly, nor used for any purpose other than that for which it is specifically furnished without prior consent.

gv_southernlites_details.rvt
All dimensions in millimetres



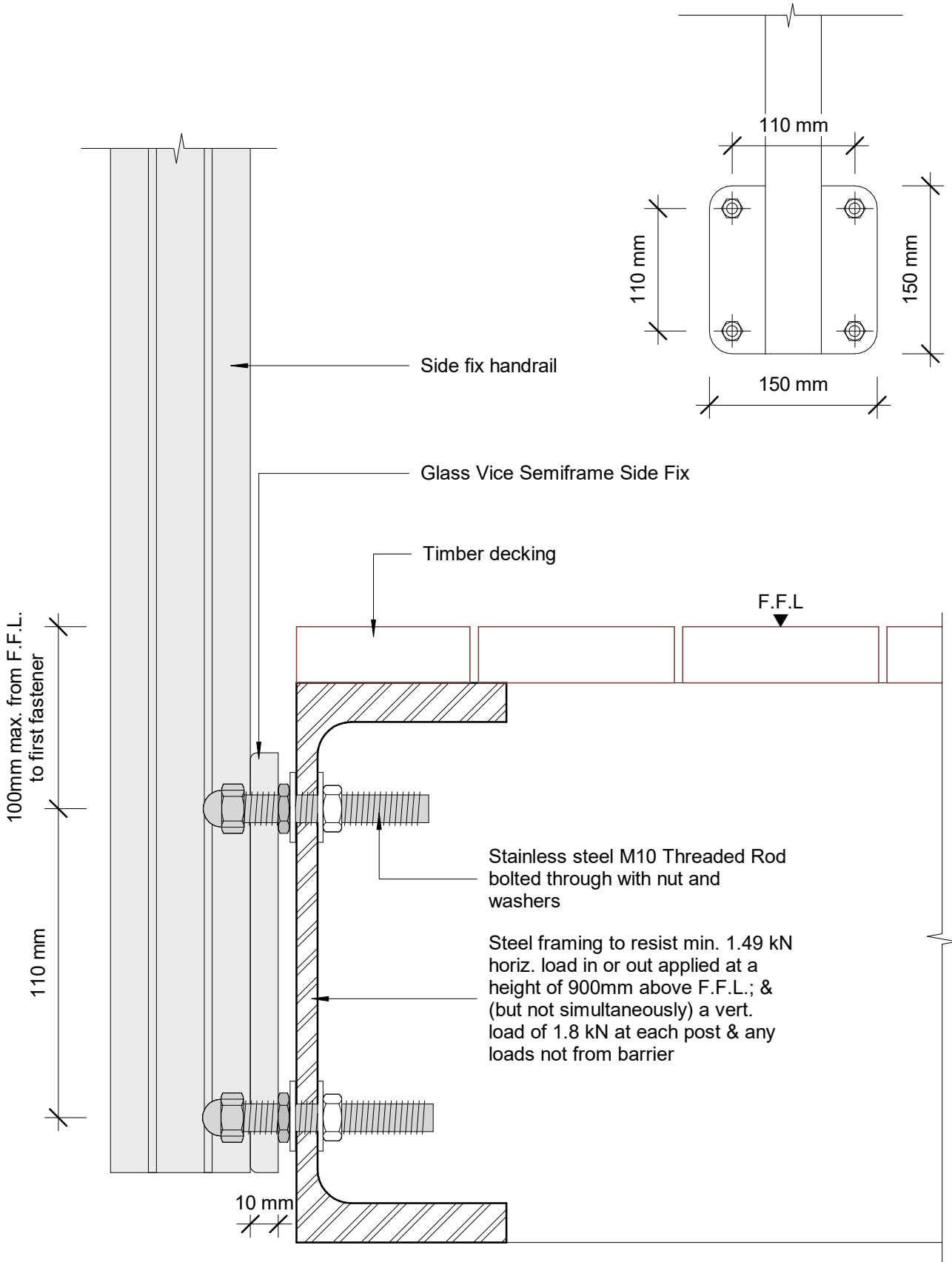
Southern Lites® Semi Frameless
Detail
Fixing Details
Top Fix Concrete 4/M 10x100mm

Date: October 2019
Scale: As indicated
Preliminary

www.glassvice.com
Phone +64 9 414 6565
info@glassvice.com

Quick Code:

GV_SL9_DCO_TF_01



© 2021. The copyright of this document is the property of Glass Vice Limited and shall not be reproduced, copied, loaned or disposed of directly, or indirectly, nor used for any purpose other than that for which it is specifically furnished without prior consent.

gv_southernlites_details.rvt
All dimensions in millimetres



Southern Lites® Semi Frameless

Detail

Fixing Details

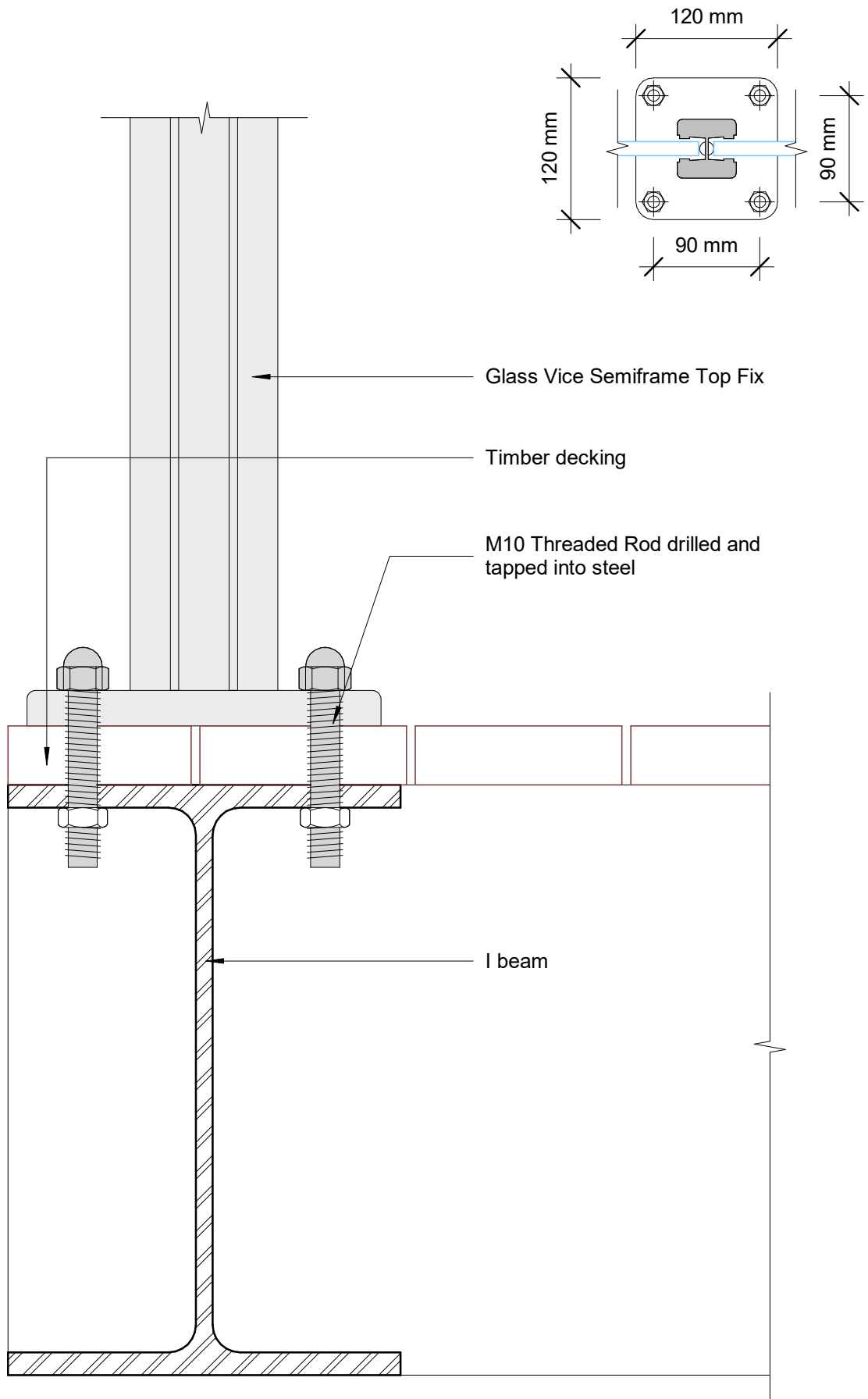
Side Fix Steel 4/M Threaded Rod

Date: October 2019
Scale: As indicated
Preliminary

www.glassvice.com
Phone +64 9 414 6565
info@glassvice.com

Quick Code:

GV_SL9_DST_SF_01



© 2021. The copyright of this document is the property of Glass Vice Limited and shall not be reproduced, copied, loaned or disposed of directly, or indirectly, nor used for any purpose other than that for which it is specifically furnished without prior consent.

gv_southernlites_details.rvt
All dimensions in millimetres



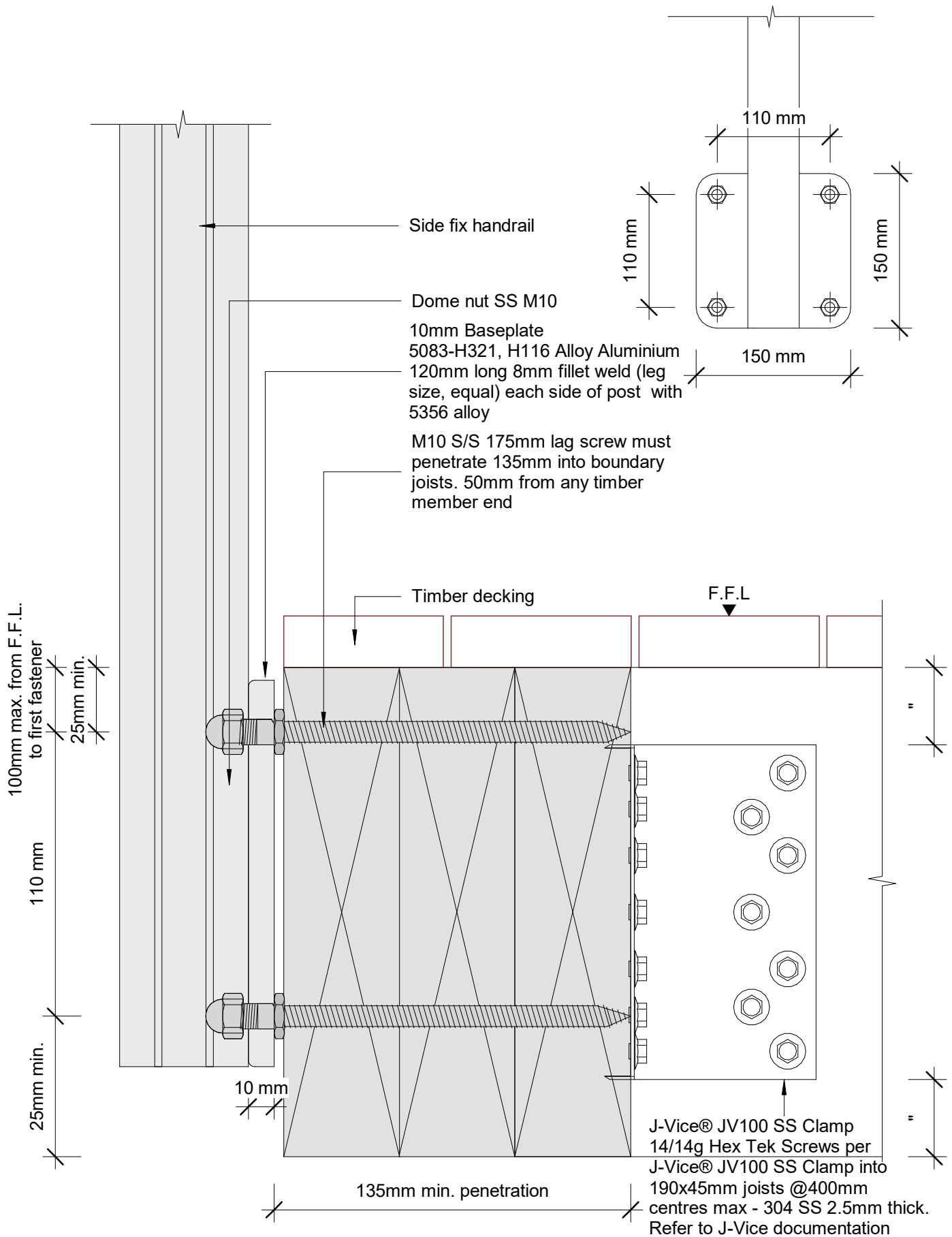
Southern Lites® Semi Frameless
Detail
Fixing Details
Top Fix Steel 4/M Threaded Rod

Date: October 2019
Scale: As indicated
Preliminary

www.glassvice.com
Phone +64 9 414 6565
info@glassvice.com

Quick Code:

GV_SL9_DST_TF_01



© 2021. The copyright of this document is the property of Glass Vice Limited and shall not be reproduced, copied, loaned or disposed of directly, or indirectly, nor used for any purpose other than that for which it is specifically furnished without prior consent.

gv_southernlites_details.rvt
All dimensions in millimetres



Southern Lites® Semi Frameless

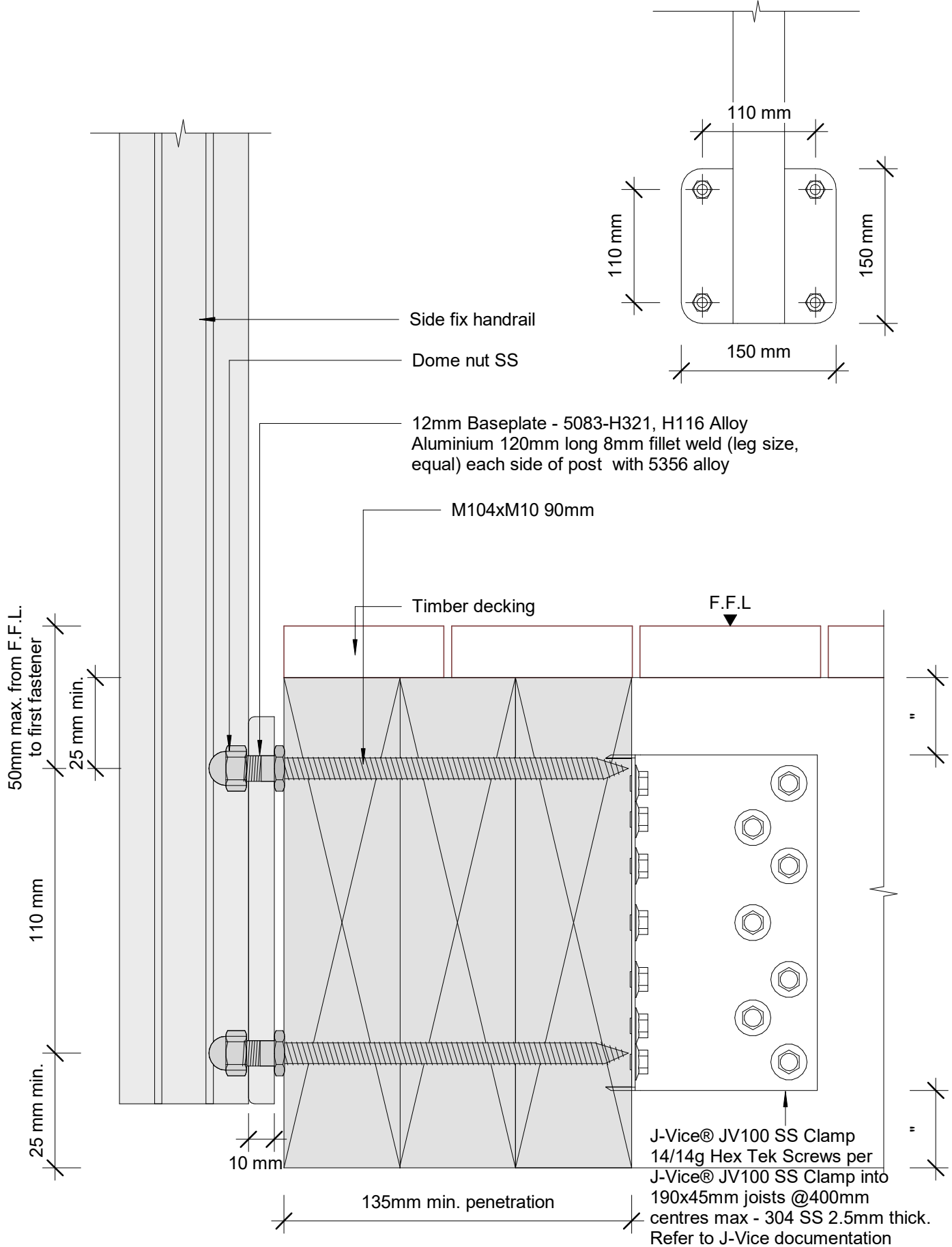
Detail
Fixing Details
Side Fix Timber Epoxy Detail

Date: October 2019
Scale: As indicated
Preliminary

www.glassvice.com
Phone +64 9 414 6565
info@glassvice.com

Quick Code:

GV_SL9_DTB_SF_01



© 2021. The copyright of this document is the property of Glass Vice Limited and shall not be reproduced, copied, loaned or disposed of directly, or indirectly, nor used for any purpose other than that for which it is specifically furnished without prior consent.

gv_southernlites_details.rvt
All dimensions in millimetres



Southern Lites® Semi Frameless

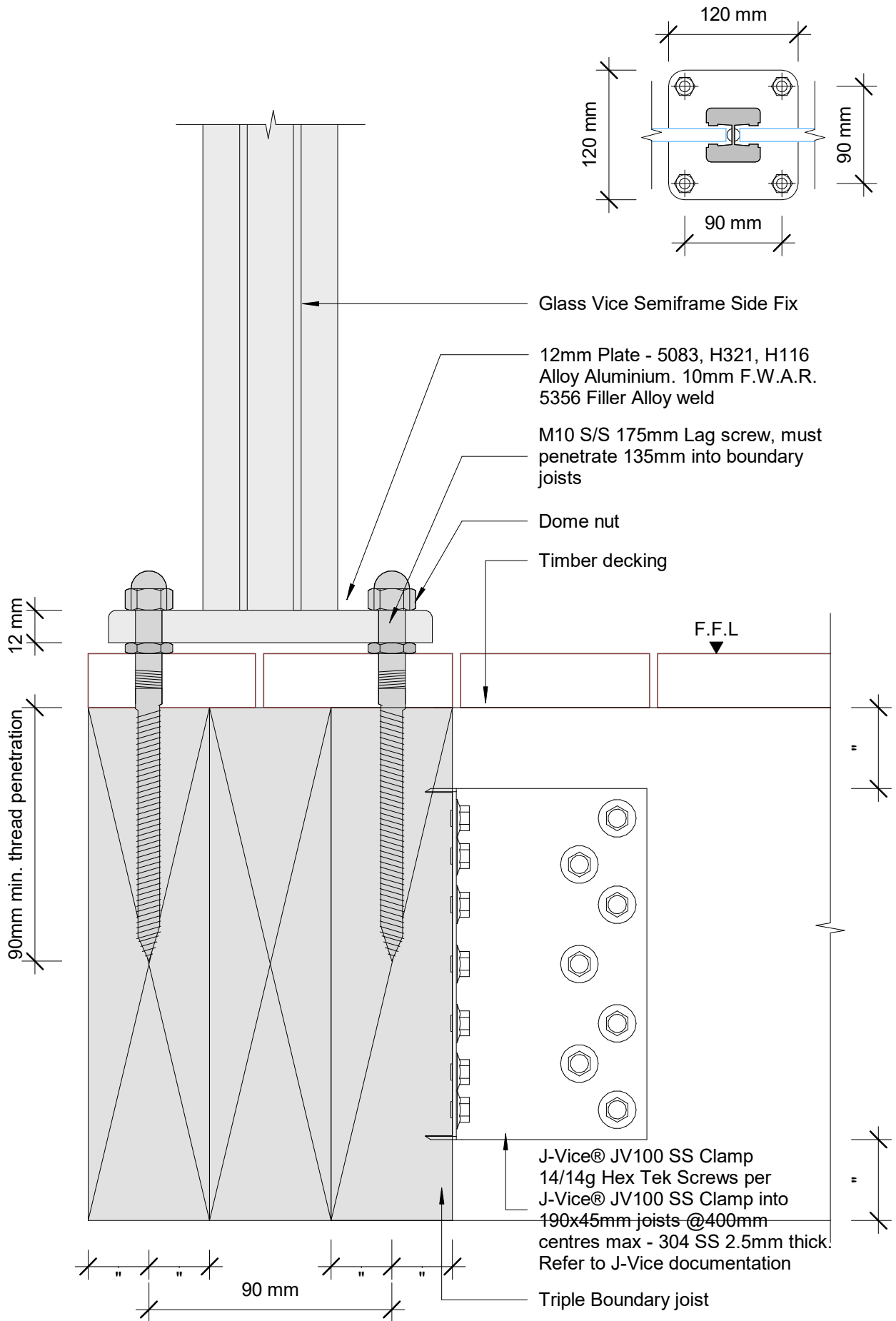
Detail
Fixing Details
Side Fix Timber 4/M 10x120mm

Date: October 2019
Scale: As indicated
Preliminary

www.glassvice.com
Phone +64 9 414 6565
info@glassvice.com

Quick Code:

GV_SL9_DTB_SF_03



© 2021. The copyright of this document is the property of Glass Vice Limited and shall not be reproduced, copied, loaned or disposed of directly, or indirectly, nor used for any purpose other than that for which it is specifically furnished without prior consent.

gv_southernlites_details.rvt
All dimensions in millimetres



Southern Lites® Semi Frameless

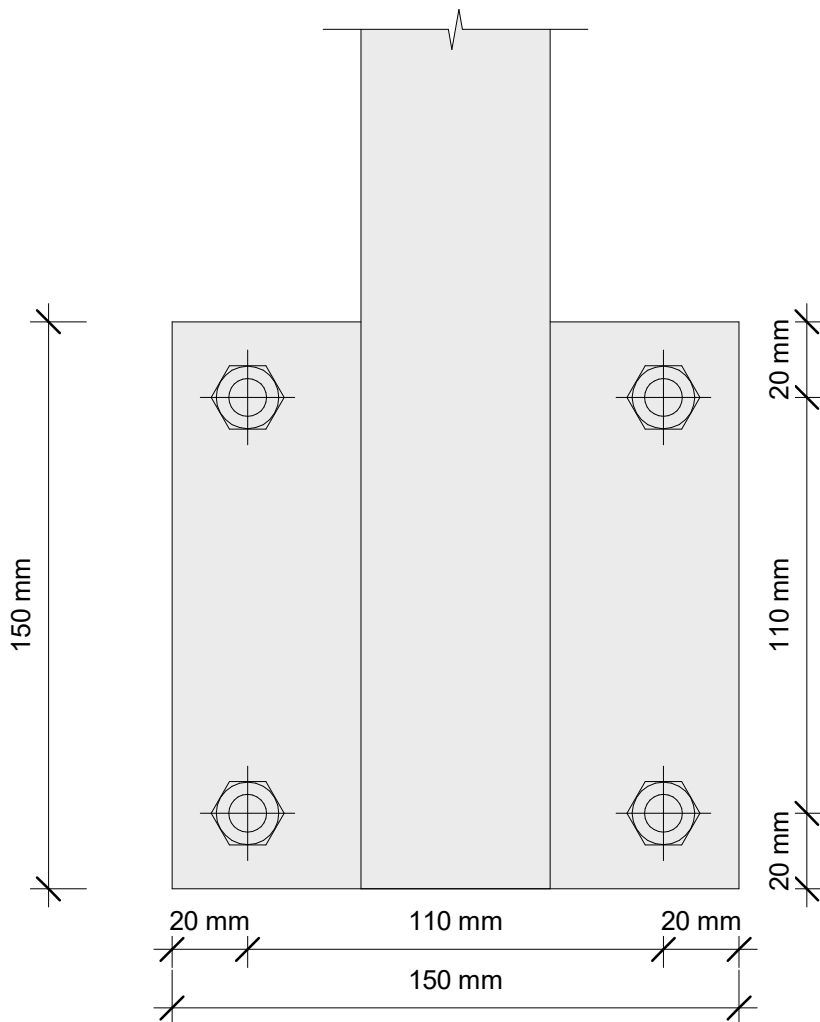
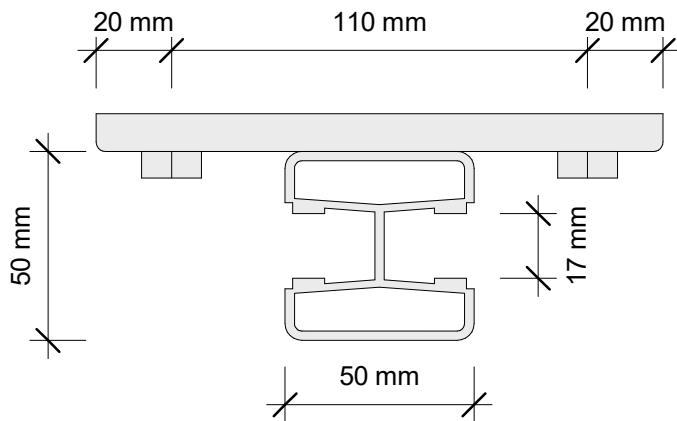
Detail
Fixing Details
Top Fix Timber 4/M10x130mm

Date: October 2019
Scale: As indicated
Preliminary

www.glassvice.com
Phone +64 9 414 6565
info@glassvice.com

Quick Code:

GV_SL9_DTB_TF_01



© 2021. The copyright of this document is the property of Glass Vice Limited and shall not be reproduced, copied, loaned or disposed of directly, or indirectly, nor used for any purpose other than that for which it is specifically furnished without prior consent.

gv_southernlites_details.rvt
All dimensions in millimetres

**GLASS
VICE**

Southern Lites® Semi Frameless

Detail

Fixing Details

Fixing Mid Posts and Plates - Side Fixed

Date: October 2019

Scale: 1 : 2

Preliminary

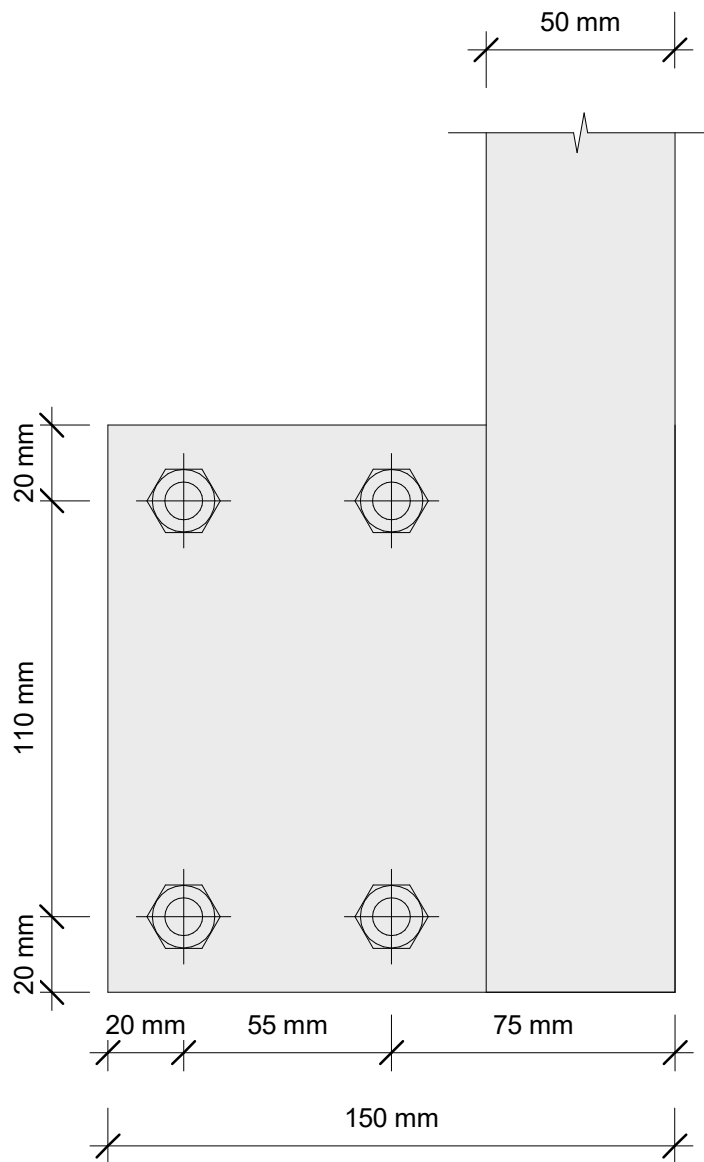
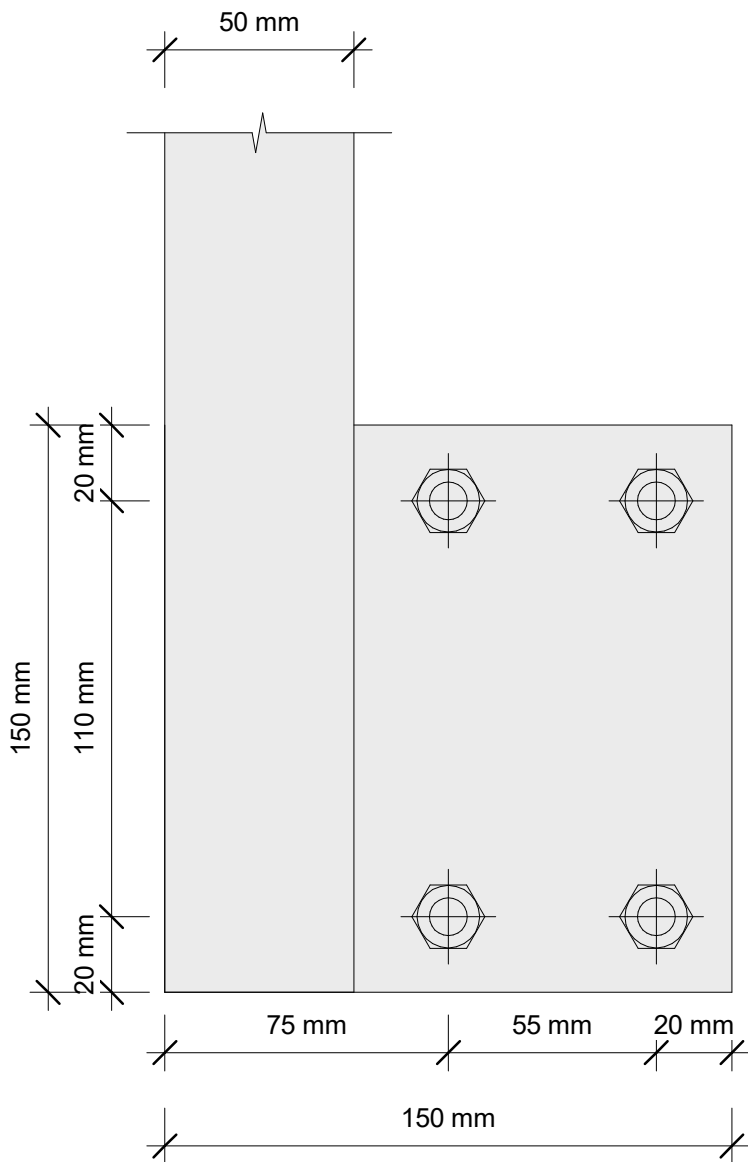
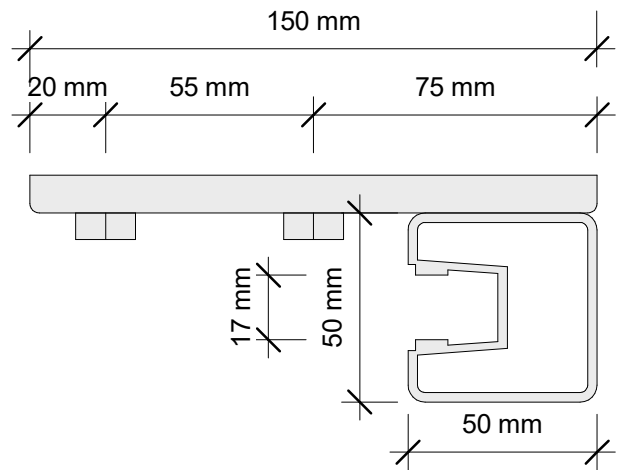
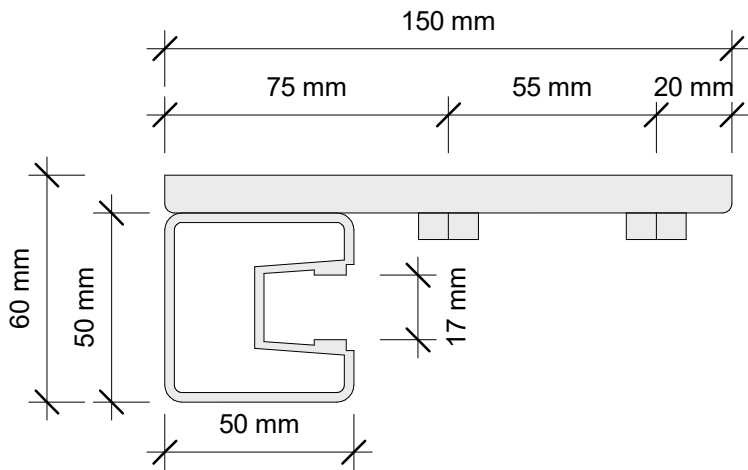
Quick Code:

www.glassvice.com

Phone +64 9 414 6565

info@glassvice.com

GV_SL9_FIX_SF_01



© 2021. The copyright of this document is the property of Glass Vice Limited and shall not be reproduced, copied, loaned or disposed of directly, or indirectly, nor used for any purpose other than that for which it is specifically furnished without prior consent.

gv_southernlites_details.rvt
All dimensions in millimetres



Southern Lites® Semi Frameless

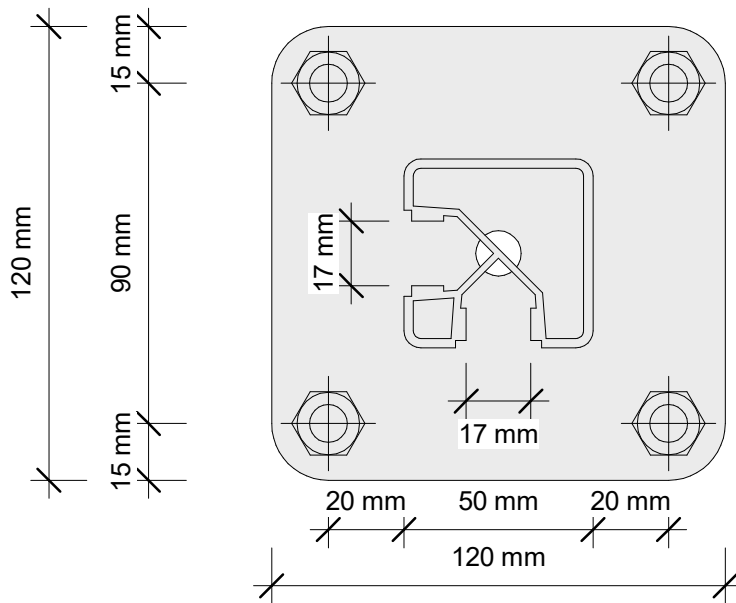
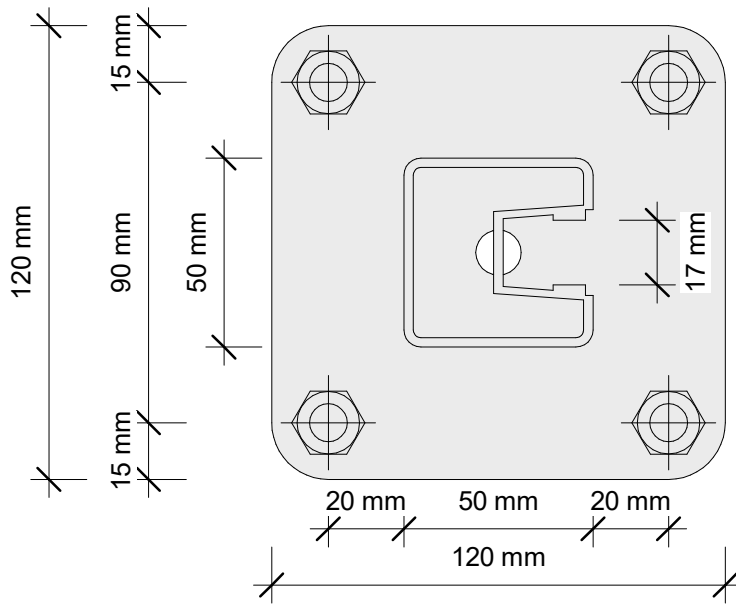
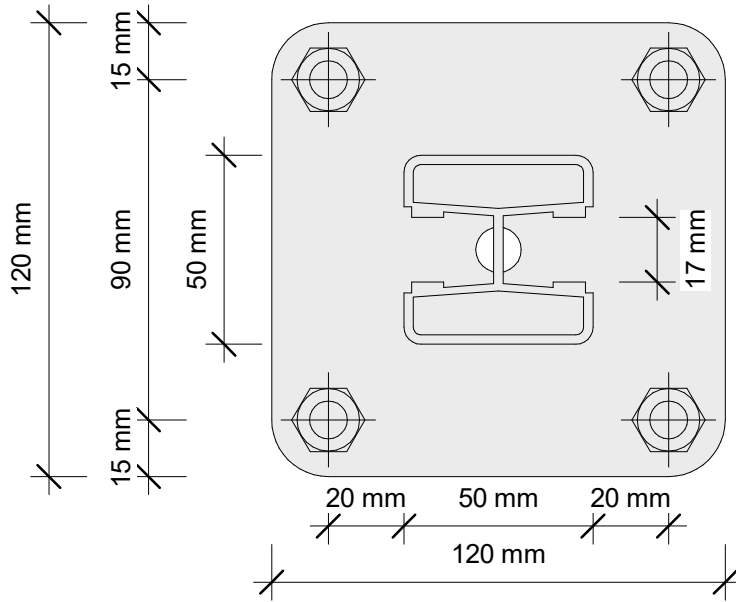
Detail
Fixing Details
Fixing End Posts and Plates - Side Fix

Date: October 2019
Scale: 1 : 2
Preliminary

www.glassvice.com
Phone +64 9 414 6565
info@glassvice.com

Quick Code:

GV_SL9_FIX_SF_02



© 2021. The copyright of this document is the property of Glass Vice Limited and shall not be reproduced, copied, loaned or disposed of directly, or indirectly, nor used for any purpose other than that for which it is specifically furnished without prior consent.

gv_southernlites_details.rvt
All dimensions in millimetres



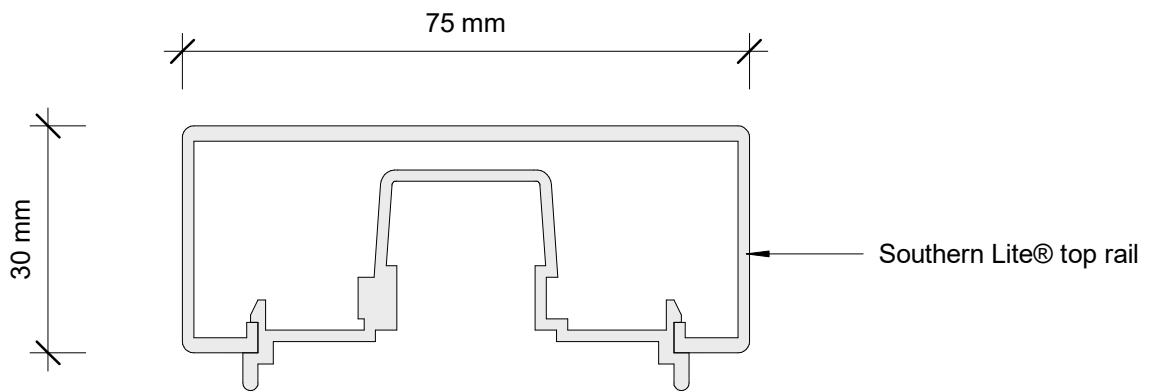
Southern Lites® Semi Frameless
Detail
Fixing Details
Fixing Posts and Plates - Top Fixed

Date: October 2019
Scale: 1 : 2
Preliminary

www.glassvice.com
Phone +64 9 414 6565
info@glassvice.com

Quick Code:

GV_SL9_FIX_TF_01



© 2021. The copyright of this document is the property of Glass Vice Limited and shall not be reproduced, copied, loaned or disposed of directly, or indirectly, nor used for any purpose other than that for which it is specifically furnished without prior consent.

gv_southernlites_details.rvt
All dimensions in millimetres



Southern Lites® Semi Frameless
Detail
Fixing Details
Handrail Profile

Date: October 2019
Scale: 1 : 1
Preliminary

www.glassvice.com
Phone +64 9 414 6565
info@glassvice.com

Quick Code:

GV_SL9_PRO_01