

Sheet Number	Sheet Name	Application
QS000	Detail Index	
QS110	Concrete Top Fix Elevation	
QS120	Concrete Top Fix Concrete Section View	
QS130	Concrete Top Fix Concrete Plan View	
QS140	Concrete Top Fix 3D	
QS150	Concrete Top Fix Full 3D view	
QS210	Timber Top Fix Elevation	
QS220	Timber Top Fix Section View	
QS230	Timber Top Fix Plan View	
QS240	Timber Top Fix 3D	
QS250	Timber Top Fix Full 3D view	
QS310	Concrete Side Fix Elevation	
QS320	Concrete Side Fix Concrete Section View	
QS330	Concrete Side Fix Concrete Plan View	
QS340	Concrete Side Fix 3D	
QS350	Concrete Side Fix Full 3D view	
QS410	Timber Side Fix Elevation	
QS420	Timber Side Fix Concrete Section View	
QS430	Timber Side Fix Concrete Plan View	
QS440	Timber Side Fix 3D	
QS450	Timber Side Fix Full 3D view	
QSPF110	Concrete Top Fix Elevation	Pool Fence
QSPF120	Concrete Top Fix Concrete Section View	Pool Fence
QSPF130	Concrete Top Fix Concrete Plan View	Pool Fence
QSPF140	Concrete Top Fix 3D	Pool Fence
QSPF150	Concrete Top Fix Full 3D view	Pool Fence
QSPF210	Timber Top Fix Elevation	Pool Fence
QSPF220	Timber Top Fix Section View	Pool Fence
QSPF230	Timber Top Fix Plan View	Pool Fence
QSPF240	Timber Top Fix 3D	Pool Fence
QSPF250	Timber Top Fix Full 3D view	Pool Fence
QSPF310	Concrete Side Fix Elevation	Pool Fence
QSPF320	Concrete Side Fix Concrete Section View	Pool Fence
QSPF330	Concrete Side Fix Concrete Plan View	Pool Fence
QSPF340	Concrete Side Fix 3D	Pool Fence
QSPF350	Concrete Side Fix Full 3D view	Pool Fence
QSPF410	Timber Side Fix Elevation	Pool Fence
QSPF420	Timber Side Fix Concrete Section View	Pool Fence
QSPF430	Timber Side Fix Concrete Plan View	Pool Fence
QSPF440	Timber Side Fix 3D	Pool Fence
QSPF450	Timber Side Fix full 3D	Pool Fence



Glassvice Slat Screen

Detail Index

Date: 170317

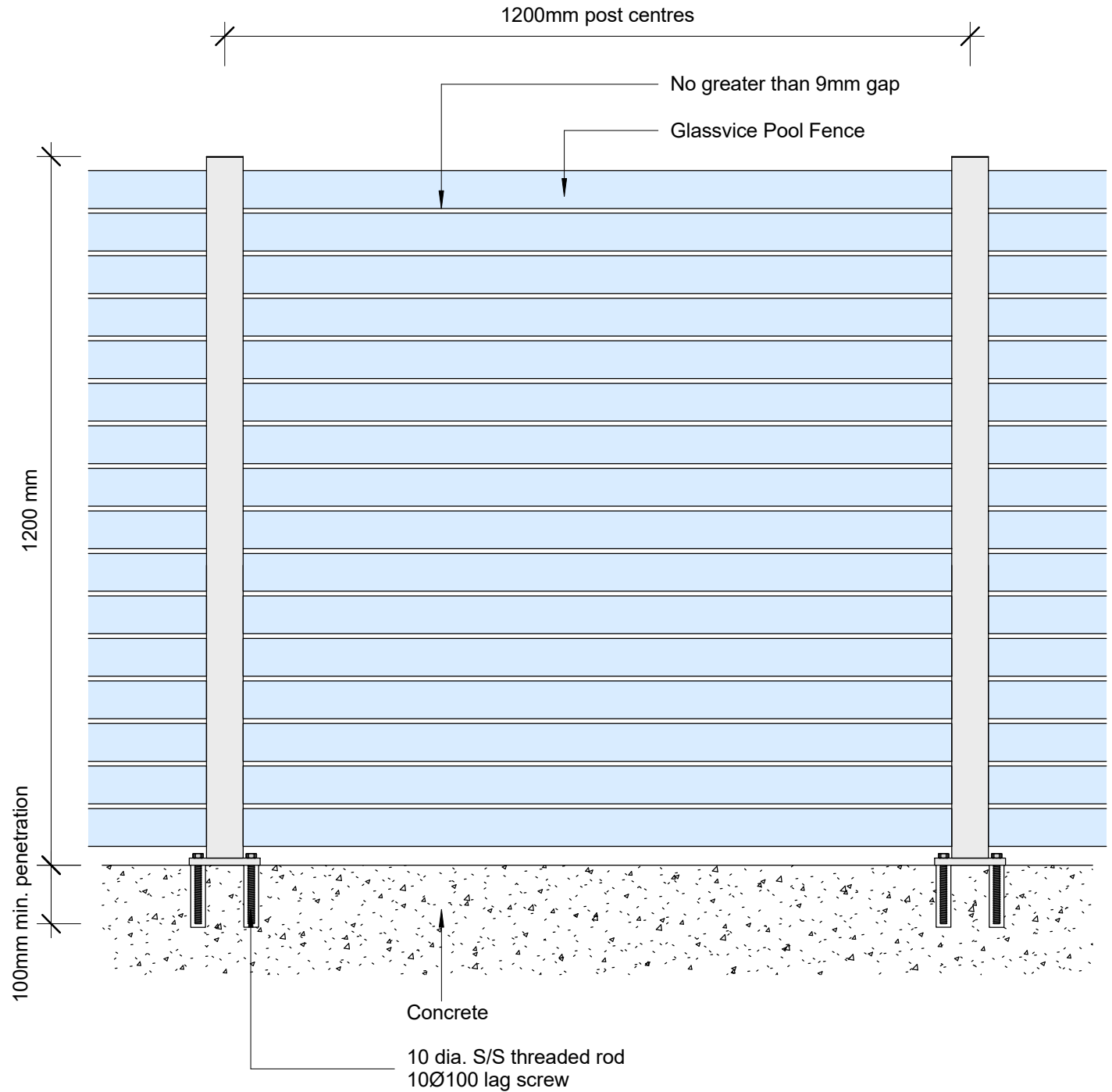
Scale:

Draft 02

Quick Code:

www.glassvice.com
Phone +64 9 414 6565
info@glassvice.com

QS000



© 2016. The copyright of this document is the property of Glass Vice Limited and shall not be reproduced, copied, loaned or disposed of directly, or indirectly, nor used for any purpose other than that for which it is specifically furnished without prior consent.

All dimensions in millimetres



Glassvice Slat Screen

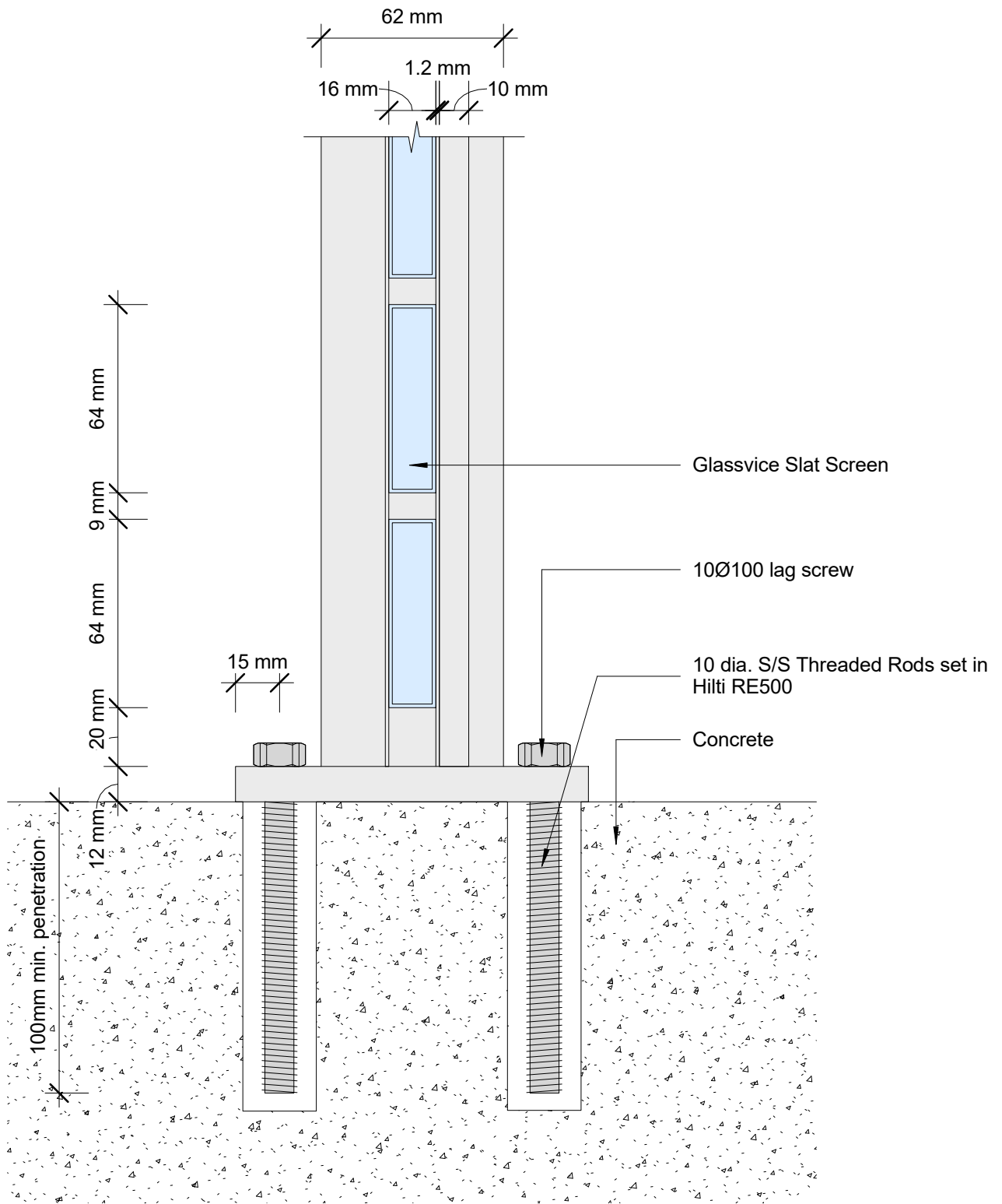
Pool Fence

Concrete Top Fix Elevation

Date: 170317
 Scale: 1 : 10
 Draft 02
 Quick Code:

www.glassvice.com
 Phone +64 9 414 6565
 info@glassvice.com

QSPF110



© 2016. The copyright of this document is the property of Glass Vice Limited and shall not be reproduced, copied, loaned or disposed of directly, or indirectly, nor used for any purpose other than that for which it is specifically furnished without prior consent.

All dimensions in millimetres

**GLASS
VICE**

Glassvice Slat Screen

Pool Fence

Concrete Top Fix Concrete Section View

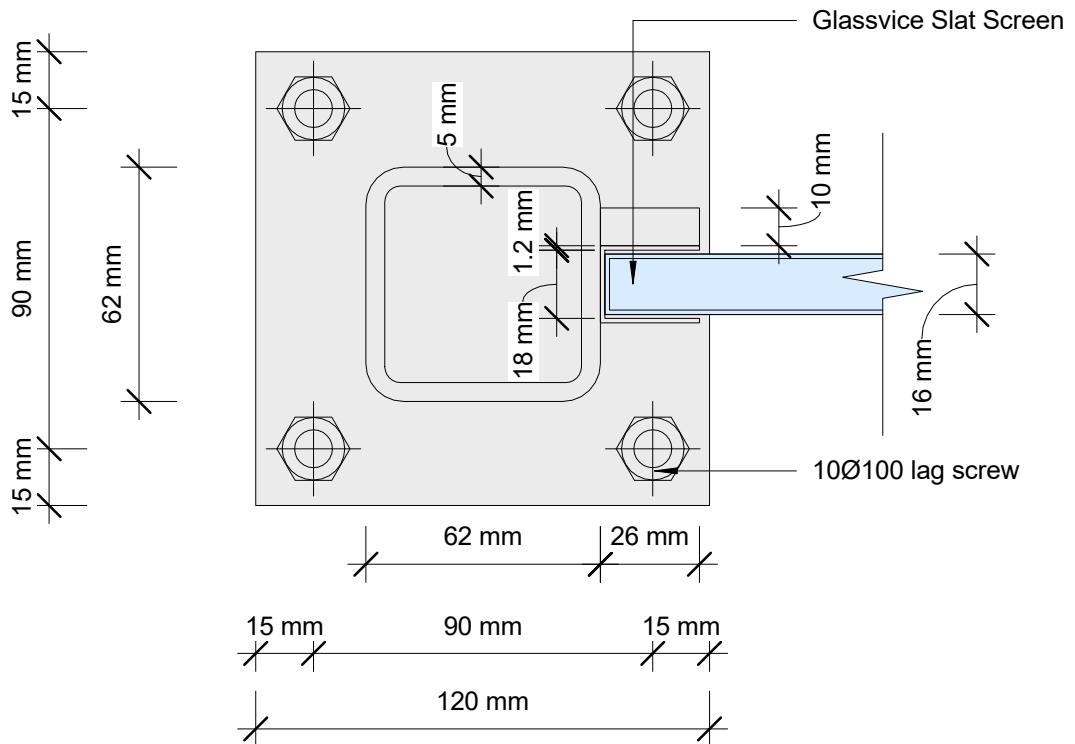
Date: 170317
Scale: 1 : 2

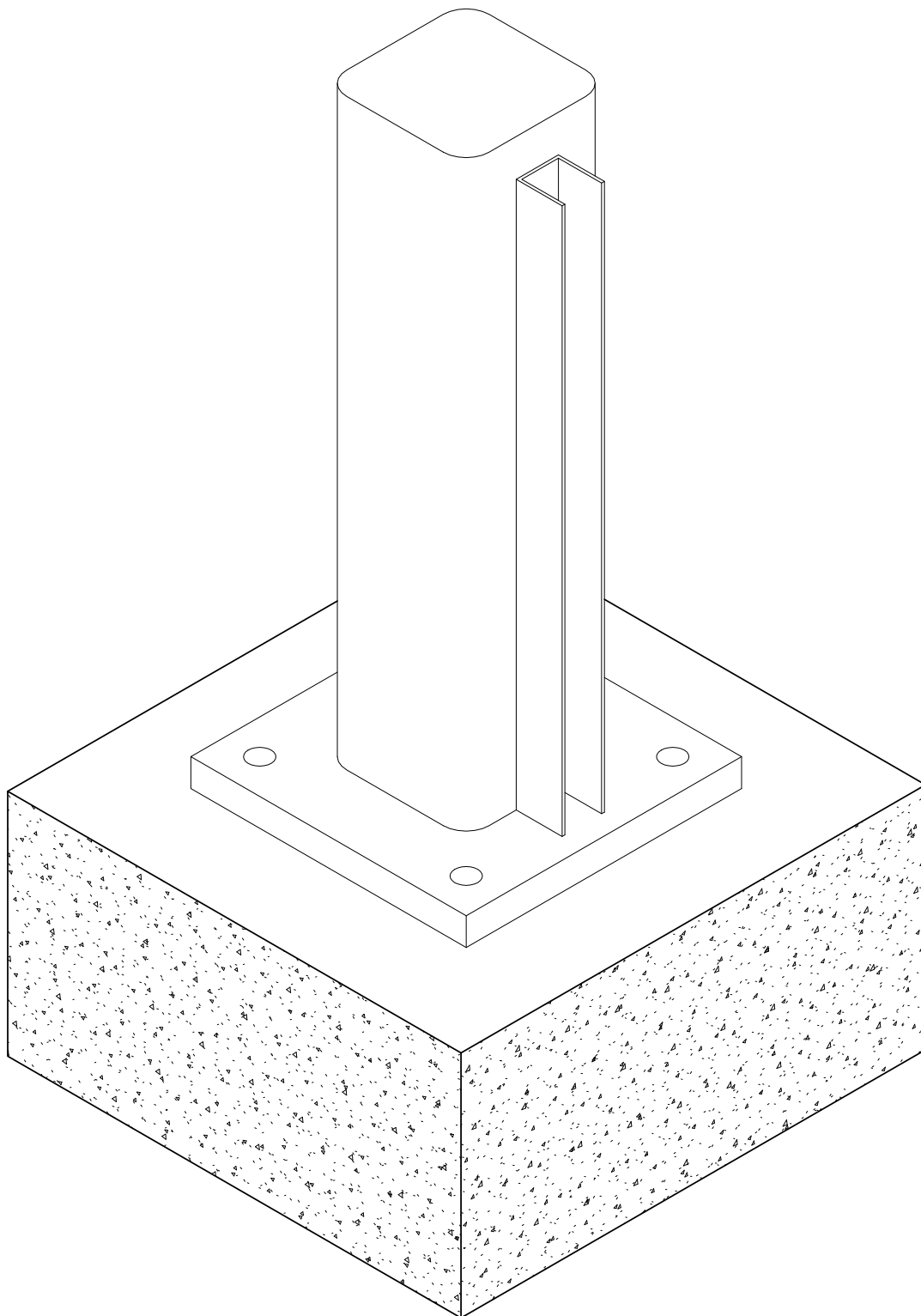
www.glassvice.com
Phone +64 9 414 6565
info@glassvice.com

Draft 02

Quick Code:

QSPF120





© 2016. The copyright of this document is the property of Glass Vice Limited and shall not be reproduced, copied, loaned or disposed of directly, or indirectly, nor used for any purpose other than that for which it is specifically furnished without prior consent.

All dimensions in millimetres

**GLASS
VICE**

Glassvice Slat Screen

Pool Fence

Concrete Top Fix 3D

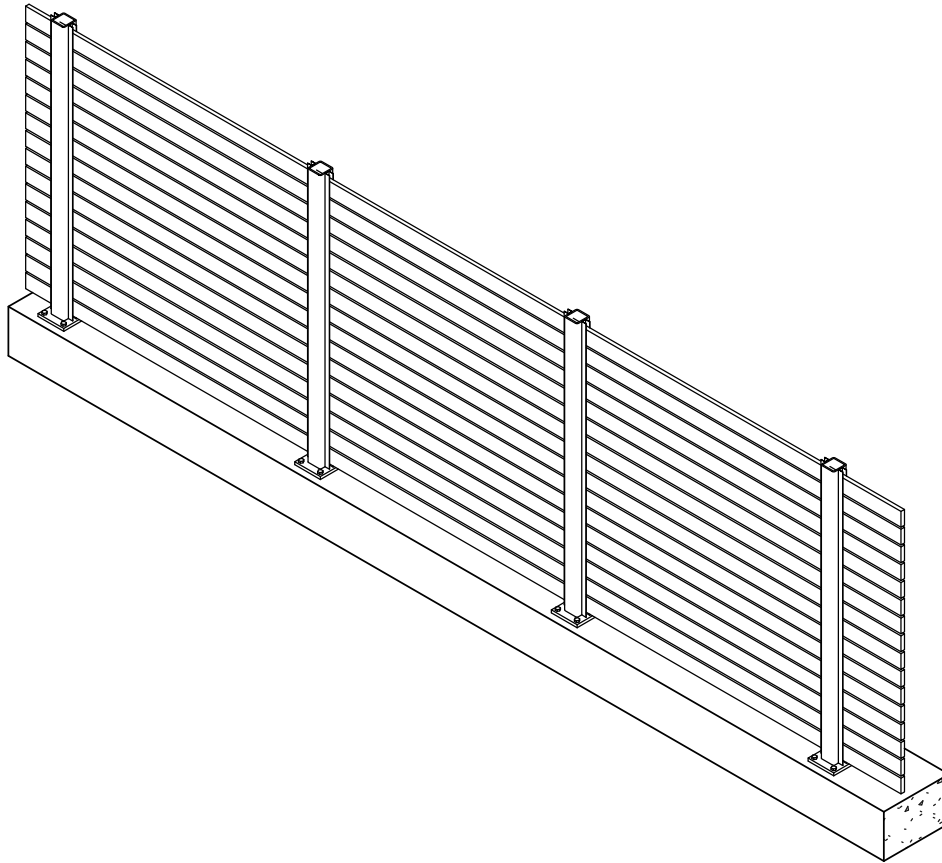
Date: 170317
Scale:

Draft 02

Quick Code:

www.glassvice.com
Phone +64 9 414 6565
info@glassvice.com

QSPF140



© 2016. The copyright of this document is the property of Glass Vice Limited and shall not be reproduced, copied, loaned or disposed of directly, or indirectly, nor used for any purpose other than that for which it is specifically furnished without prior consent.

All dimensions in millimetres

**GLASS
VICE**

Glassvice Slat Screen

Pool Fence

Concrete Top Fix Full 3D view

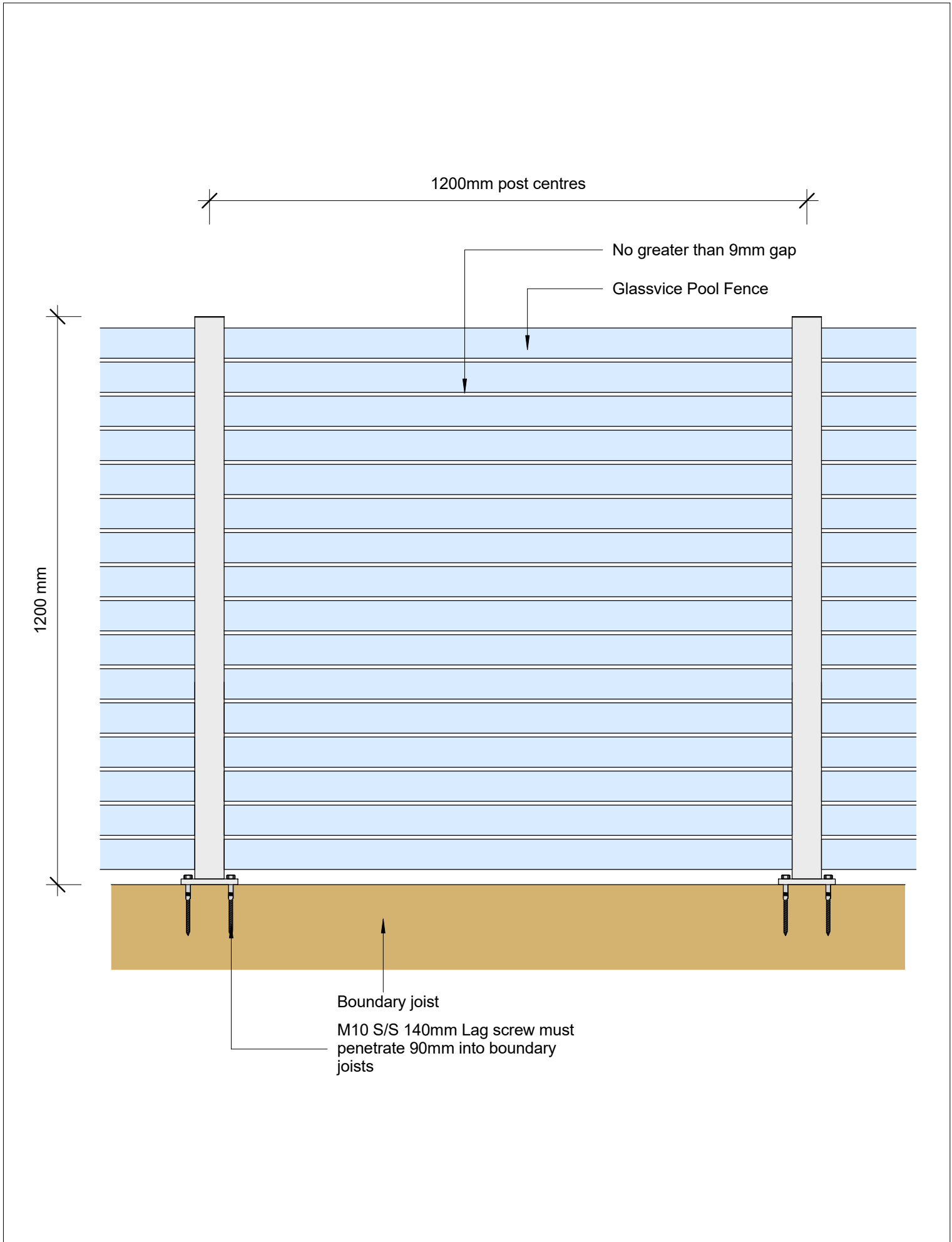
Date: 170317
Scale:

Draft 02

Quick Code:

www.glassvice.com
Phone +64 9 414 6565
info@glassvice.com

QSPF150



© 2016. The copyright of this document is the property of Glass Vice Limited and shall not be reproduced, copied, loaned or disposed of directly, or indirectly, nor used for any purpose other than that for which it is specifically furnished without prior consent.

All dimensions in millimetres



Glassvice Slat Screen

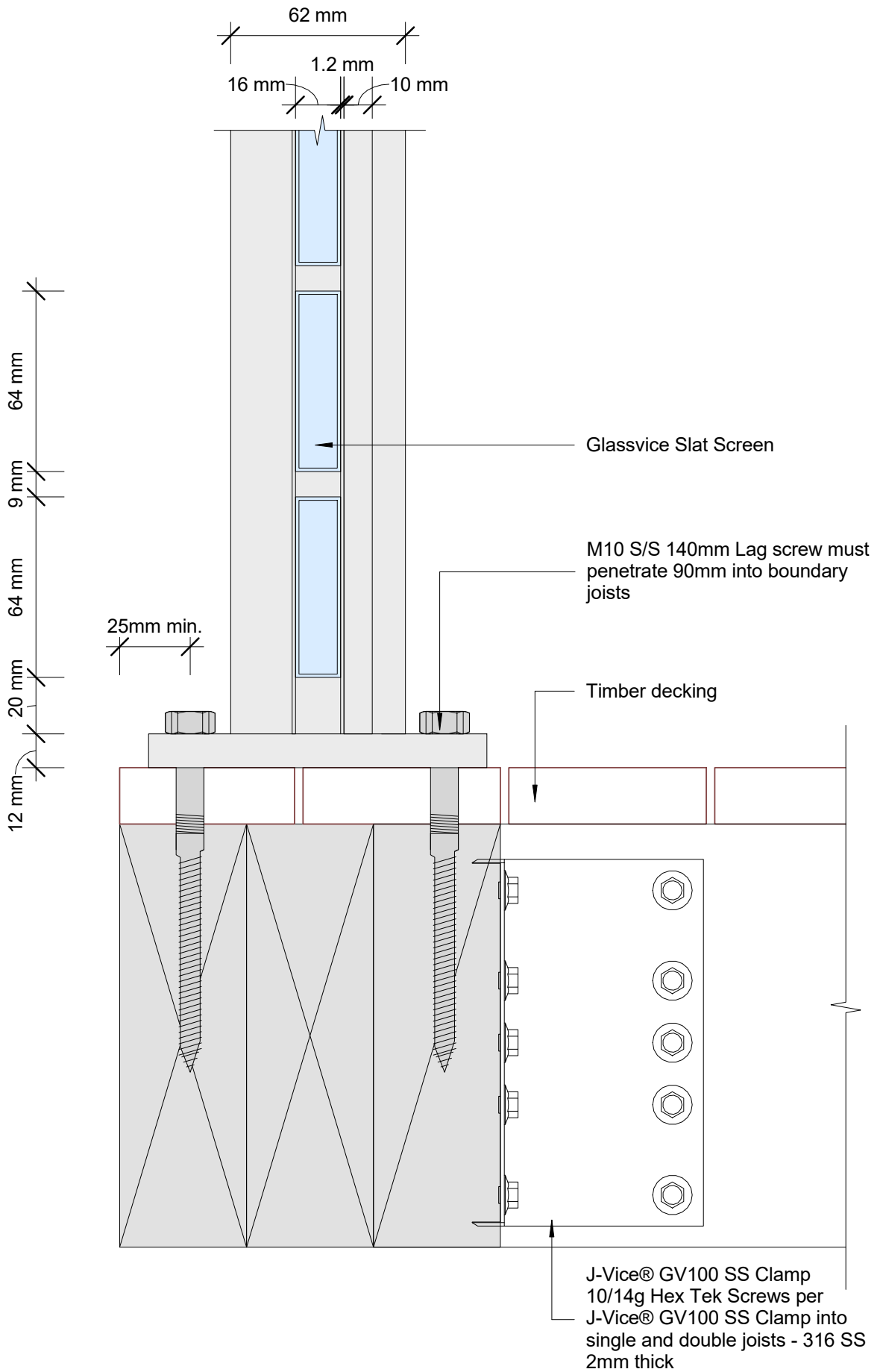
Pool Fence

Timber Top Fix Elevation

Date: 170317
 Scale: 1 : 10
 Draft 02
 Quick Code:

www.glassvice.com
 Phone +64 9 414 6565
 info@glassvice.com

QSPF210



© 2016. The copyright of this document is the property of Glass Vice Limited and shall not be reproduced, copied, loaned or disposed of directly, or indirectly, nor used for any purpose other than that for which it is specifically furnished without prior consent.

All dimensions in millimetres

**GLASS
VICE®**

Glassvice Slat Screen

Pool Fence

Timber Top Fix Section View

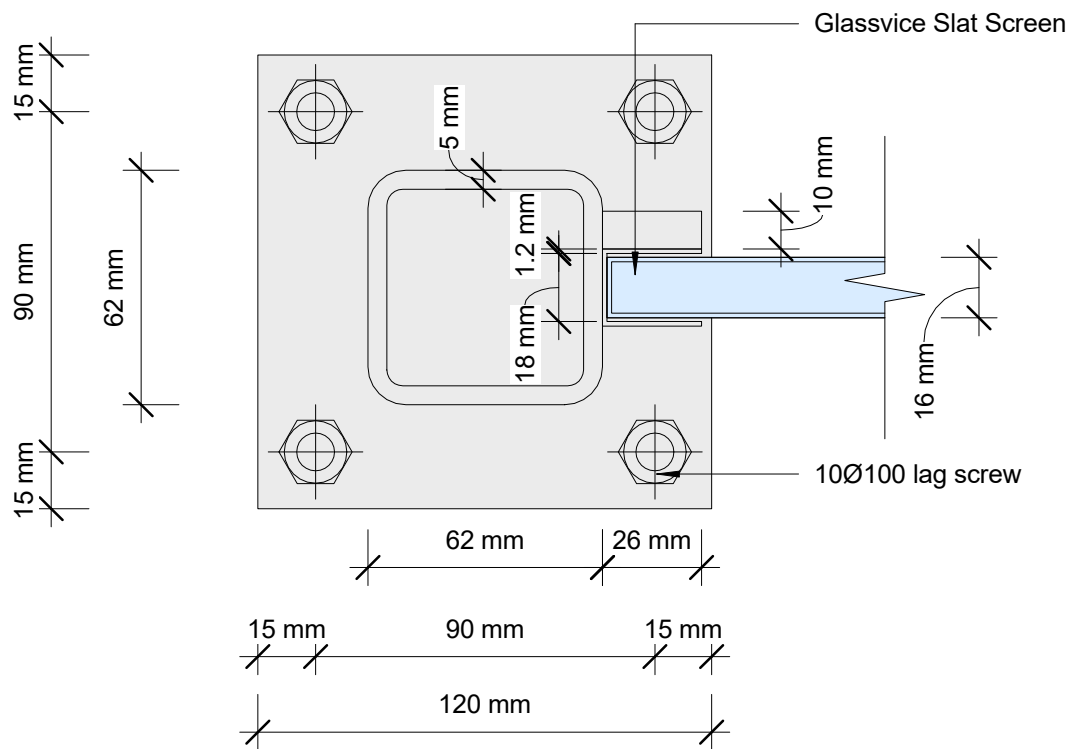
Date: 170317
Scale: 1 : 2

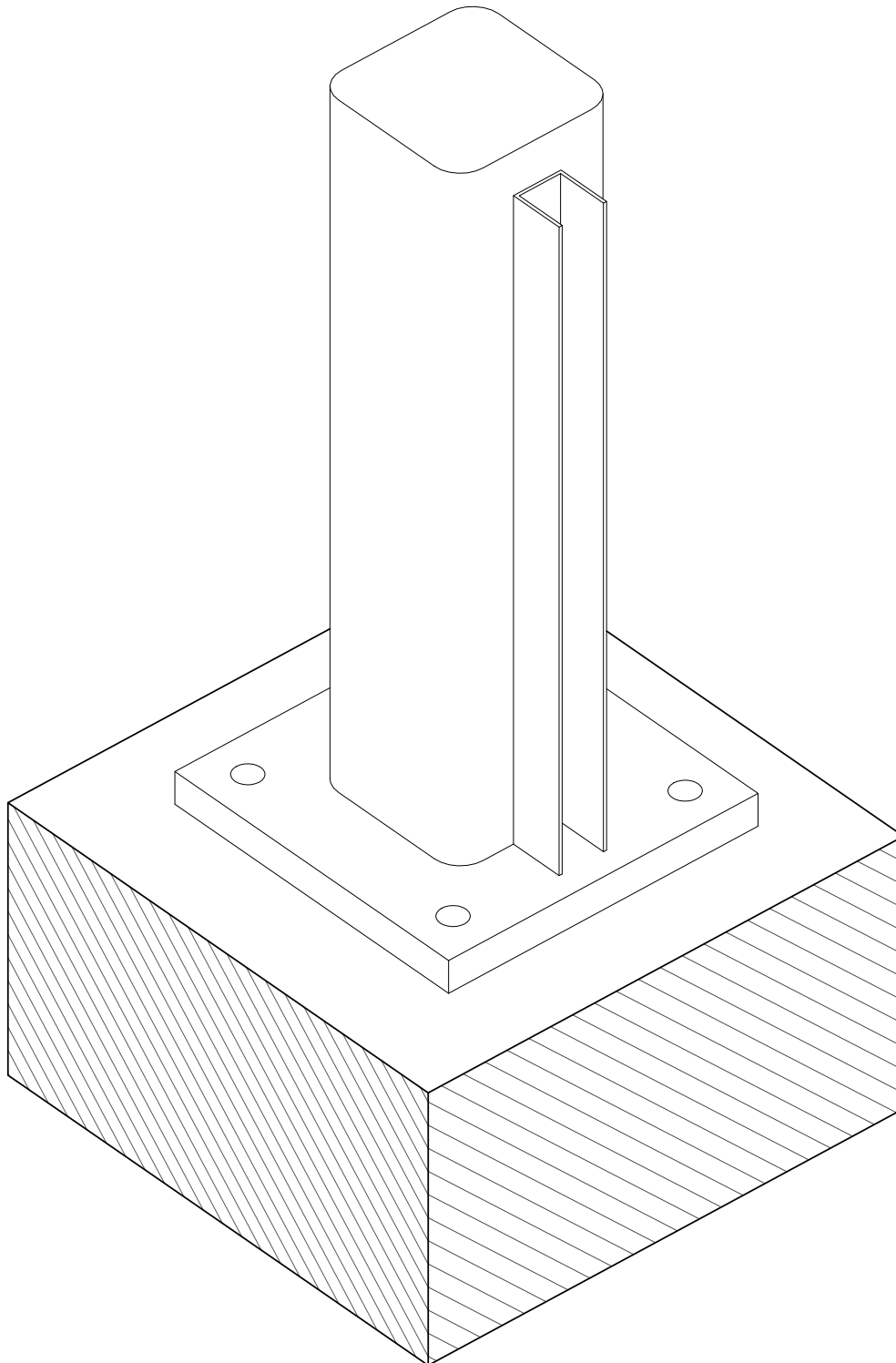
www.glassvice.com
Phone +64 9 414 6565
info@glassvice.com

Draft 02

Quick Code:

QSPF220





© 2016. The copyright of this document is the property of Glass Vice Limited and shall not be reproduced, copied, loaned or disposed of directly, or indirectly, nor used for any purpose other than that for which it is specifically furnished without prior consent.

All dimensions in millimetres

**GLASS
VICE**

Glassvice Slat Screen

Pool Fence

Timber Top Fix 3D

Date: 170317

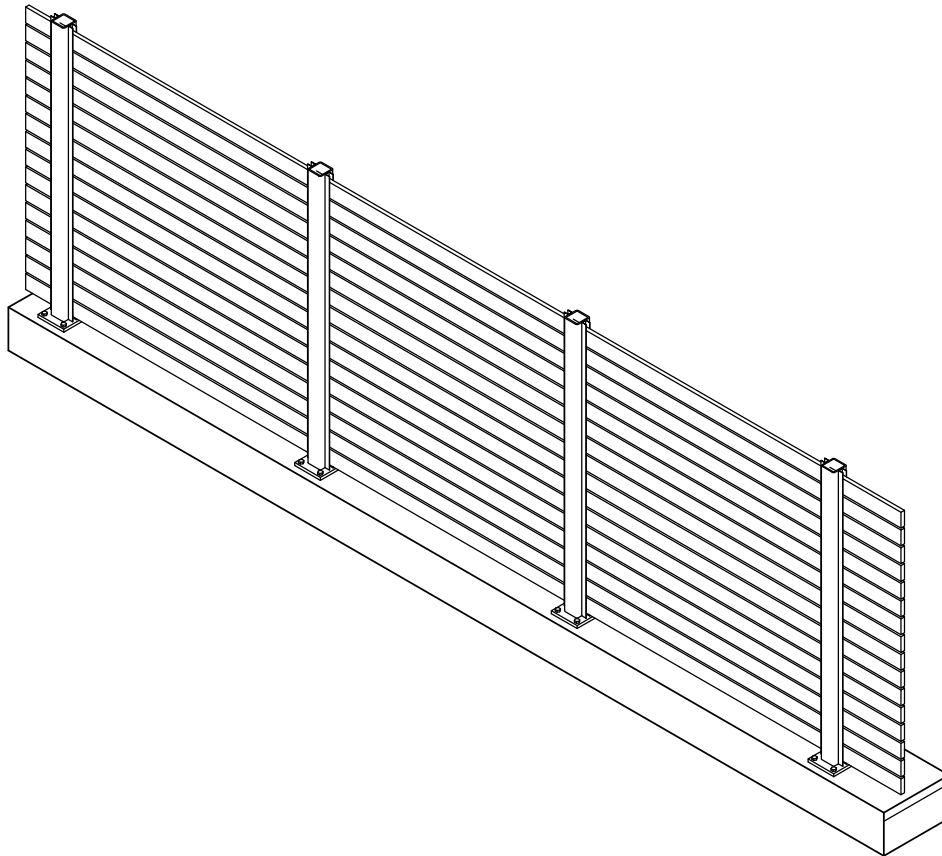
Scale:

Draft 02

Quick Code:

www.glassvice.com
Phone +64 9 414 6565
info@glassvice.com

QSPF240



© 2016. The copyright of this document is the property of Glass Vice Limited and shall not be reproduced, copied, loaned or disposed of directly, or indirectly, nor used for any purpose other than that for which it is specifically furnished without prior consent.

All dimensions in millimetres

**GLASS
VICE®**

Glassvice Slat Screen

Pool Fence

Timber Top Fix Full 3D view

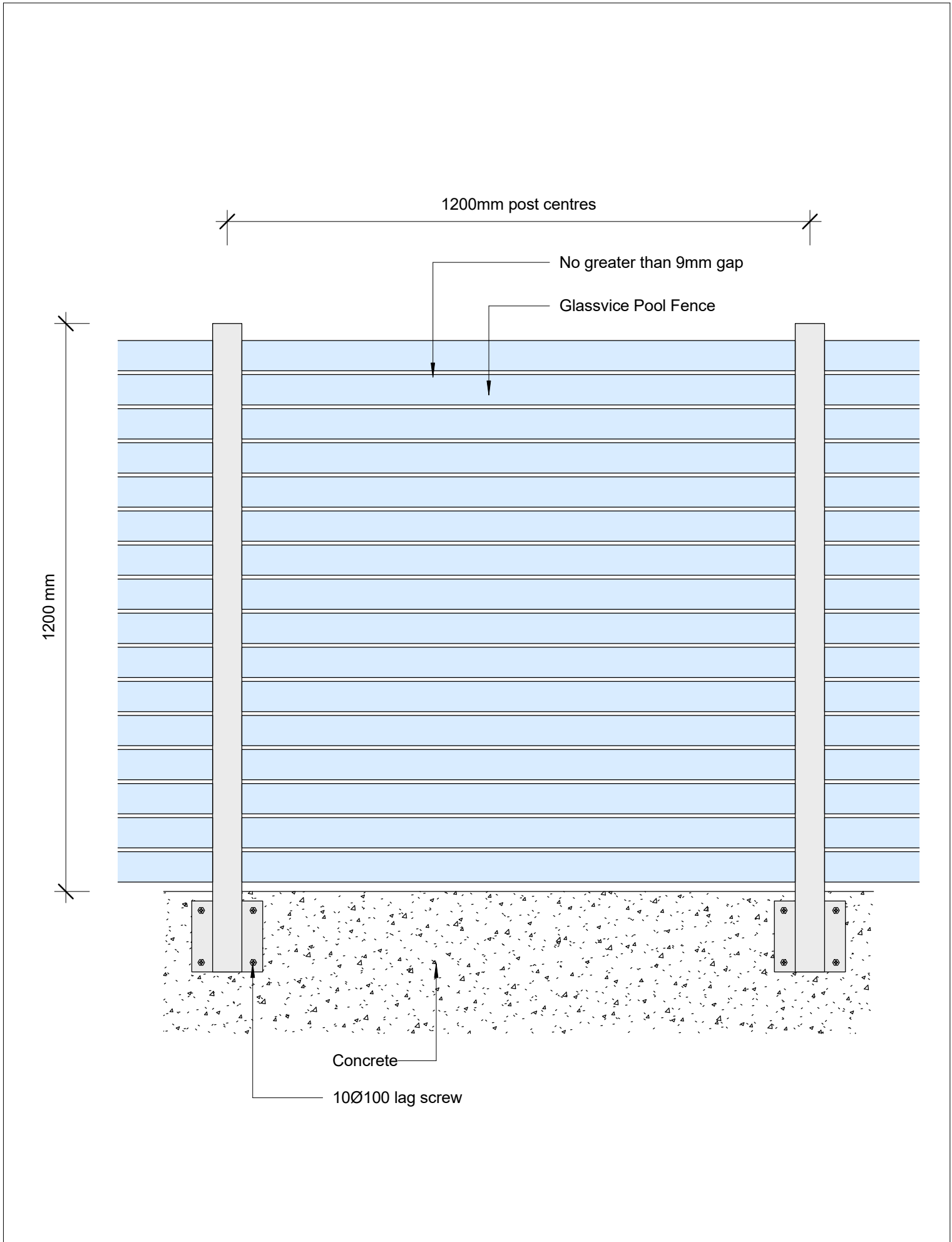
Date: 170317
Scale:

Draft 02

Quick Code:

www.glassvice.com
Phone +64 9 414 6565
info@glassvice.com

QSPF250



© 2016. The copyright of this document is the property of Glass Vice Limited and shall not be reproduced, copied, loaned or disposed of directly, or indirectly, nor used for any purpose other than that for which it is specifically furnished without prior consent.

All dimensions in millimetres



Glassvice Slat Screen

Pool Fence

Concrete Side Fix Elevation

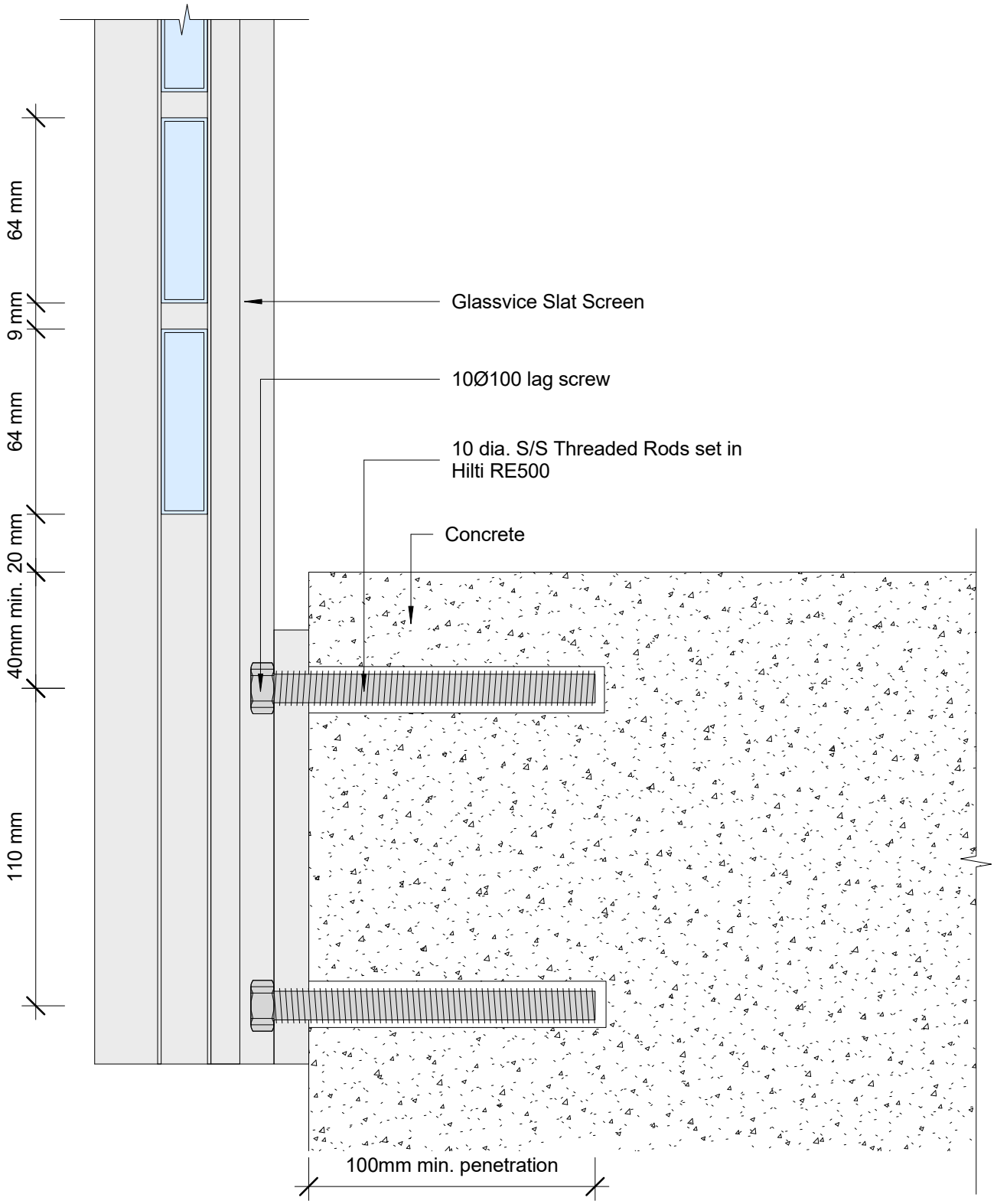
Date: 170317
Scale: 1 : 10

www.glassvice.com
Phone +64 9 414 6565
info@glassvice.com

Draft 02

Quick Code:

QSPF310



© 2016. The copyright of this document is the property of Glass Vice Limited and shall not be reproduced, copied, loaned or disposed of directly, or indirectly, nor used for any purpose other than that for which it is specifically furnished without prior consent.

All dimensions in millimetres



Glassvice Slat Screen

Pool Fence

Concrete Side Fix Concrete Section View

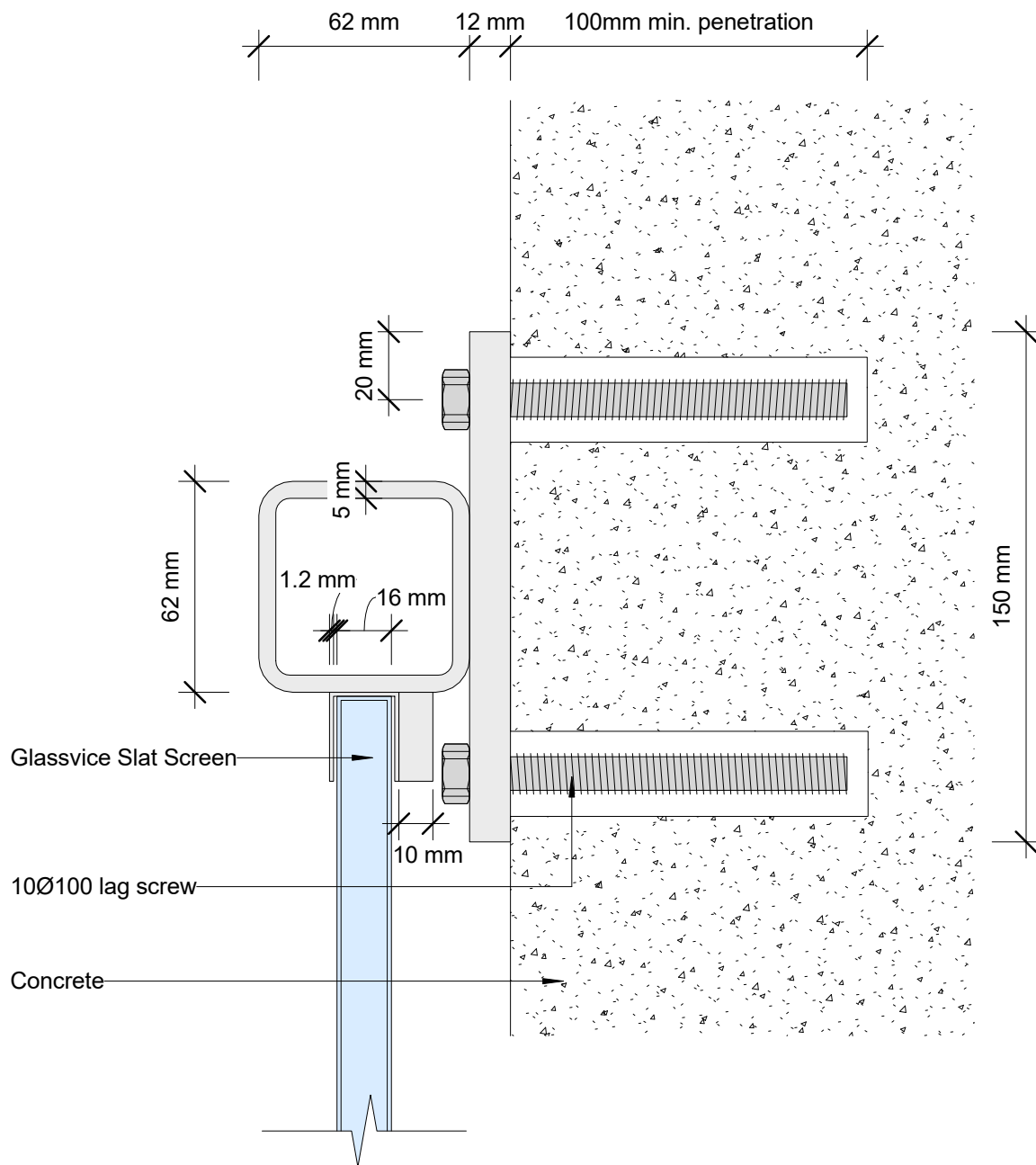
Date: 170317
Scale: 1 : 2

www.glassvice.com
Phone +64 9 414 6565
info@glassvice.com

Draft 02

Quick Code:

QSPF320



© 2016. The copyright of this document is the property of Glass Vice Limited and shall not be reproduced, copied, loaned or disposed of directly, or indirectly, nor used for any purpose other than that for which it is specifically furnished without prior consent.

All dimensions in millimetres

**GLASS
VICE**

Glassvice Slat Screen

Pool Fence

Concrete Side Fix Concrete Plan View

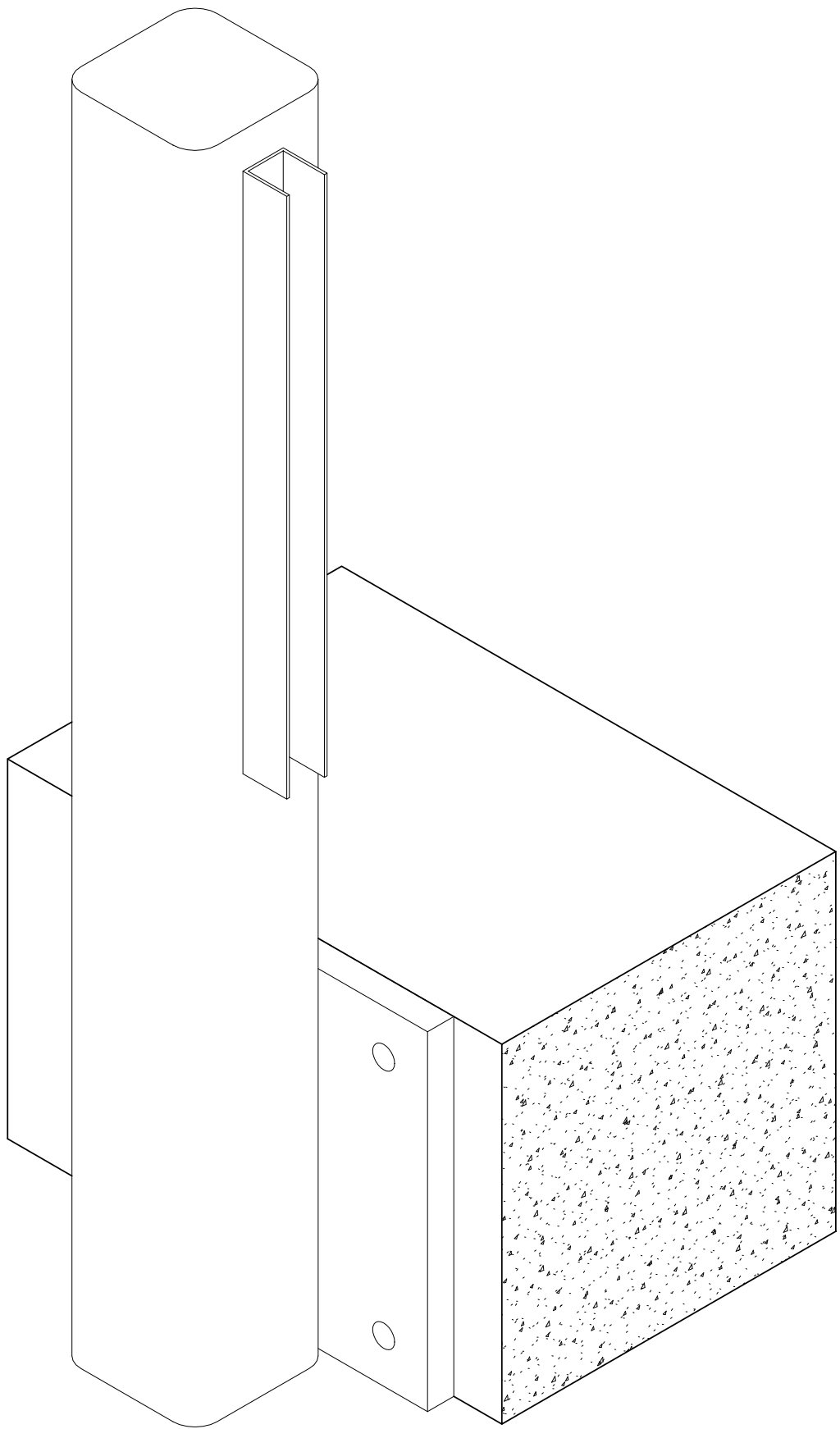
Date: 170317
Scale: 1 : 2

www.glassvice.com
Phone +64 9 414 6565
info@glassvice.com

Draft 02

Quick Code:

QSPF330



© 2016. The copyright of this document is the property of Glass Vice Limited and shall not be reproduced, copied, loaned or disposed of directly, or indirectly, nor used for any purpose other than that for which it is specifically furnished without prior consent.

All dimensions in millimetres

**GLASS
VICE**

Glassvice Slat Screen

Pool Fence

Concrete Side Fix 3D

Date: 170317

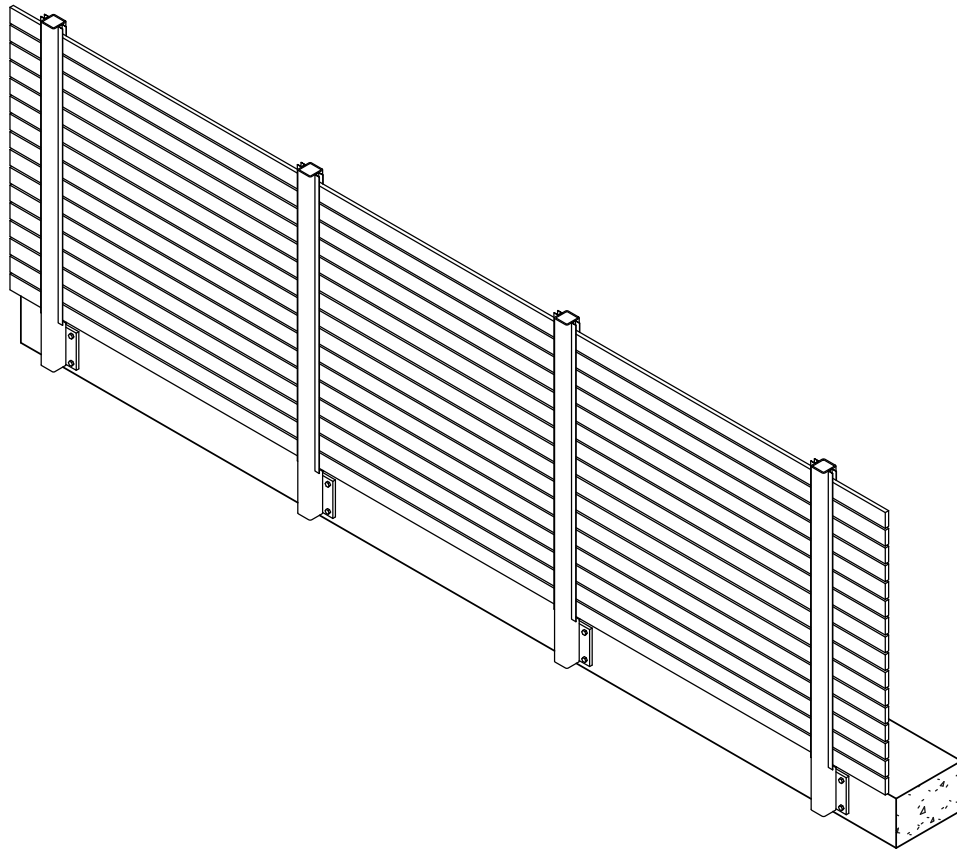
Scale:

Draft 02

Quick Code:

www.glassvice.com
Phone +64 9 414 6565
info@glassvice.com

QSPF340



© 2016. The copyright of this document is the property of Glass Vice Limited and shall not be reproduced, copied, loaned or disposed of directly, or indirectly, nor used for any purpose other than that for which it is specifically furnished without prior consent.

All dimensions in millimetres

**GLASS
VICE**

Glassvice Slat Screen

Pool Fence

Concrete Side Fix Full 3D view

Date: 170317

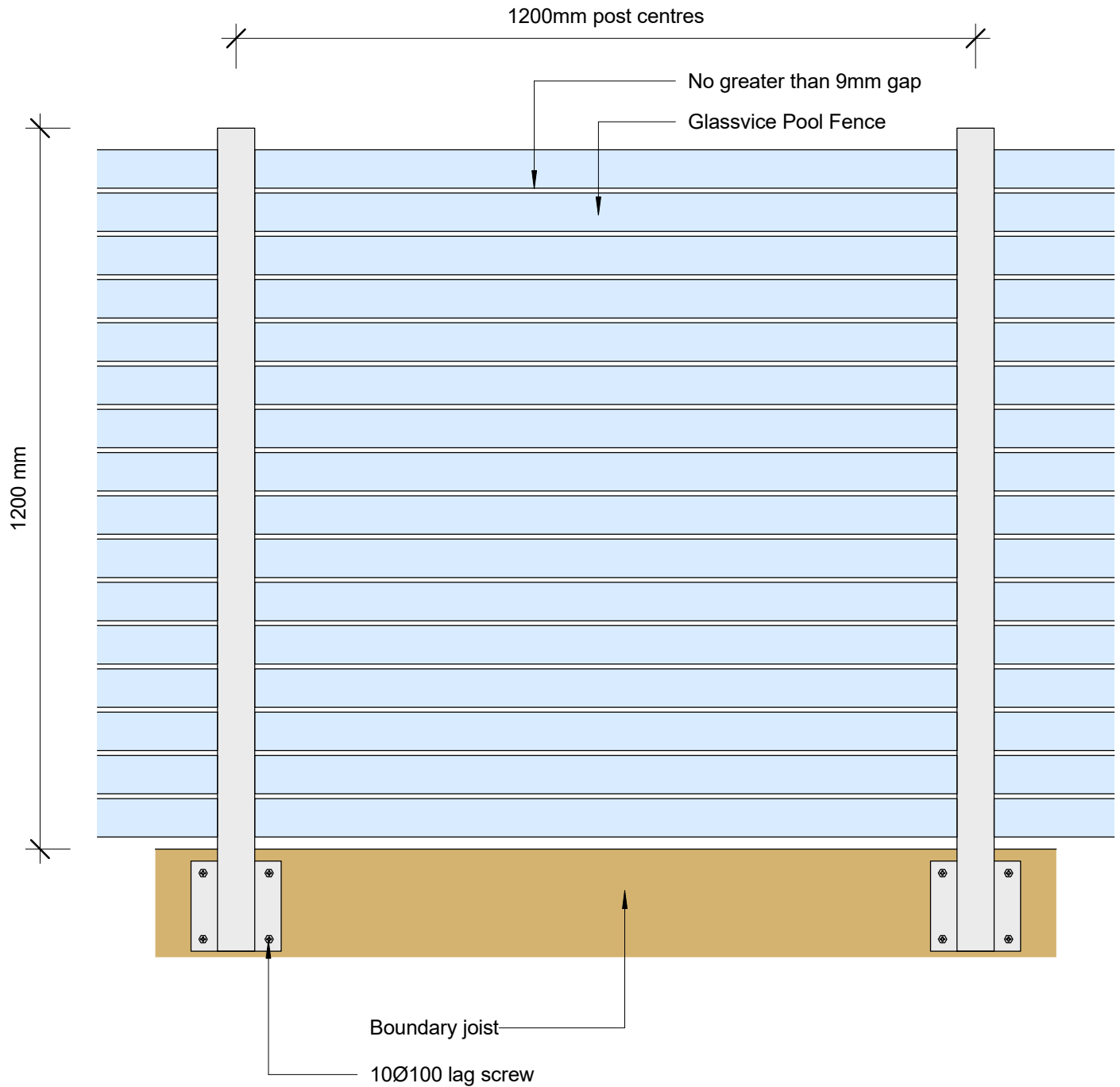
Scale:

Draft 02

Quick Code:

www.glassvice.com
Phone +64 9 414 6565
info@glassvice.com

QSPF350



© 2016. The copyright of this document is the property of Glass Vice Limited and shall not be reproduced, copied, loaned or disposed of directly, or indirectly, nor used for any purpose other than that for which it is specifically furnished without prior consent.

All dimensions in millimetres



Glassvice Slat Screen

Pool Fence

Timber Side Fix Elevation

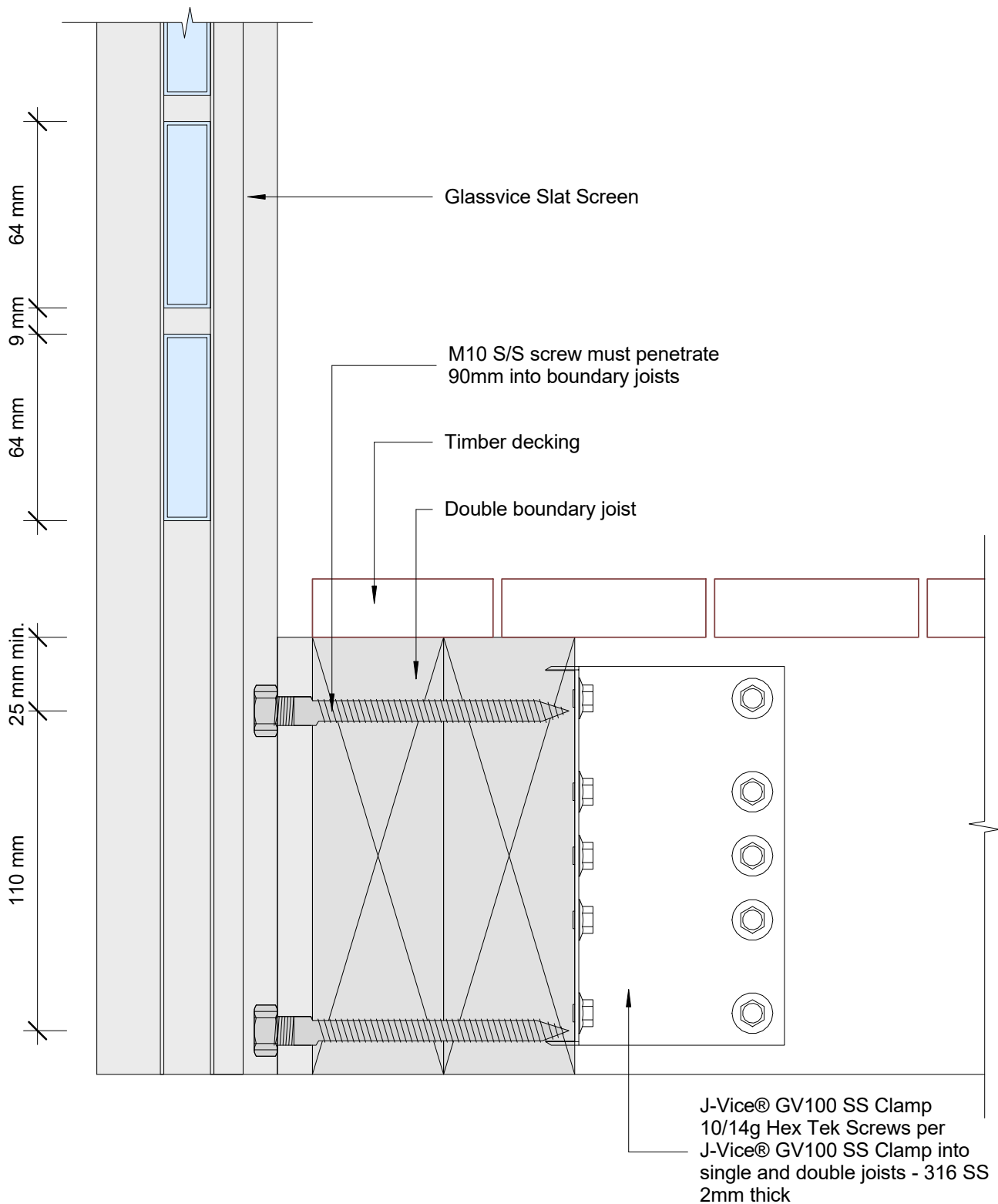
Date: 170317
Scale: 1 : 10

www.glassvice.com
Phone +64 9 414 6565
info@glassvice.com

Draft 02

Quick Code:

QSPF410



© 2016. The copyright of this document is the property of Glass Vice Limited and shall not be reproduced, copied, loaned or disposed of directly, or indirectly, nor used for any purpose other than that for which it is specifically furnished without prior consent.

All dimensions in millimetres



Glassvice Slat Screen

Pool Fence

Timber Side Fix Concrete Section View

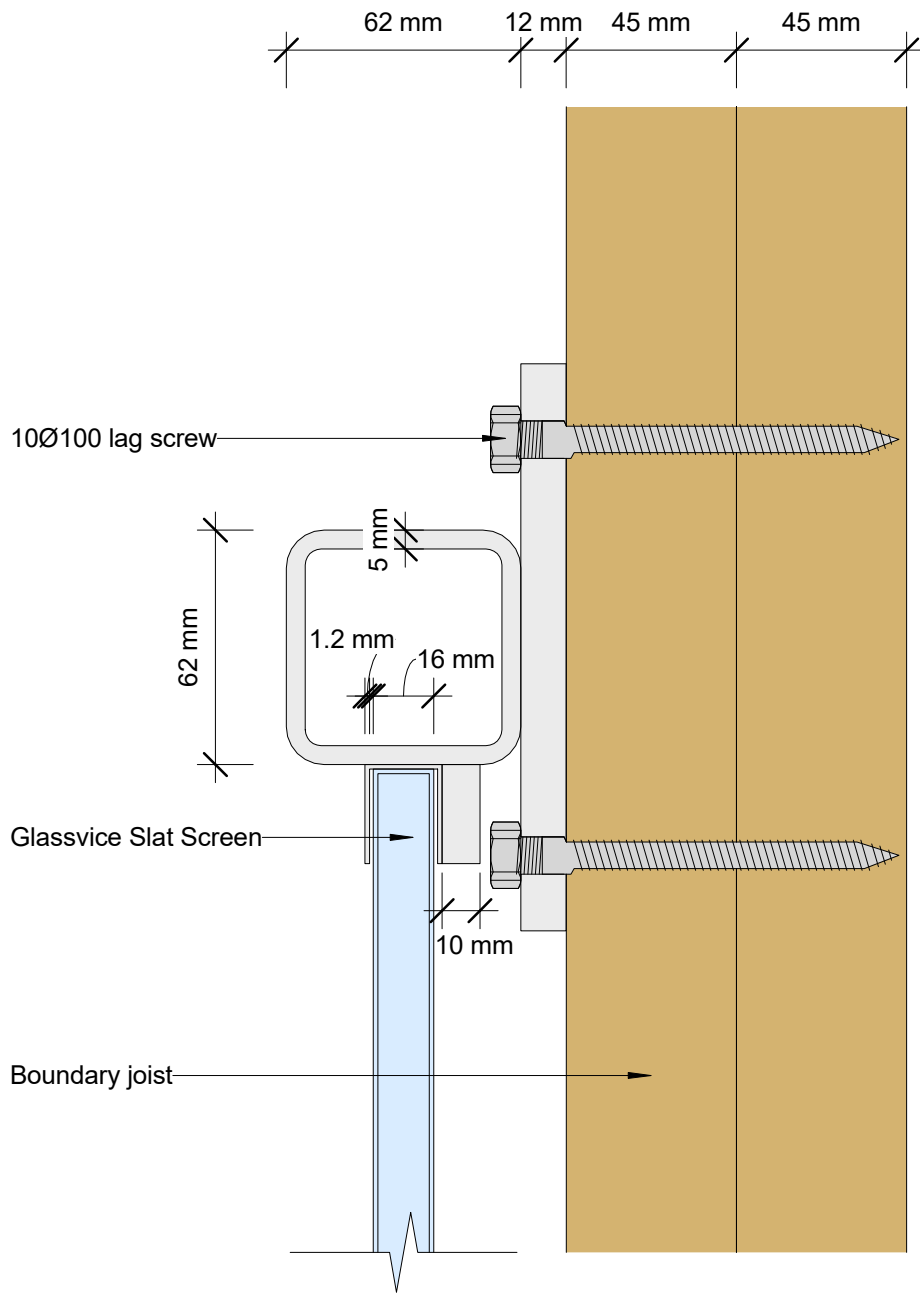
Date: 170317
Scale: 1 : 2

www.glassvice.com
Phone +64 9 414 6565
info@glassvice.com

Draft 02

Quick Code:

QSPF420



© 2016. The copyright of this document is the property of Glass Vice Limited and shall not be reproduced, copied, loaned or disposed of directly, or indirectly, nor used for any purpose other than that for which it is specifically furnished without prior consent.

All dimensions in millimetres

**GLASS
VICE®**

Glassvice Slat Screen

Pool Fence

Timber Side Fix Concrete Plan View

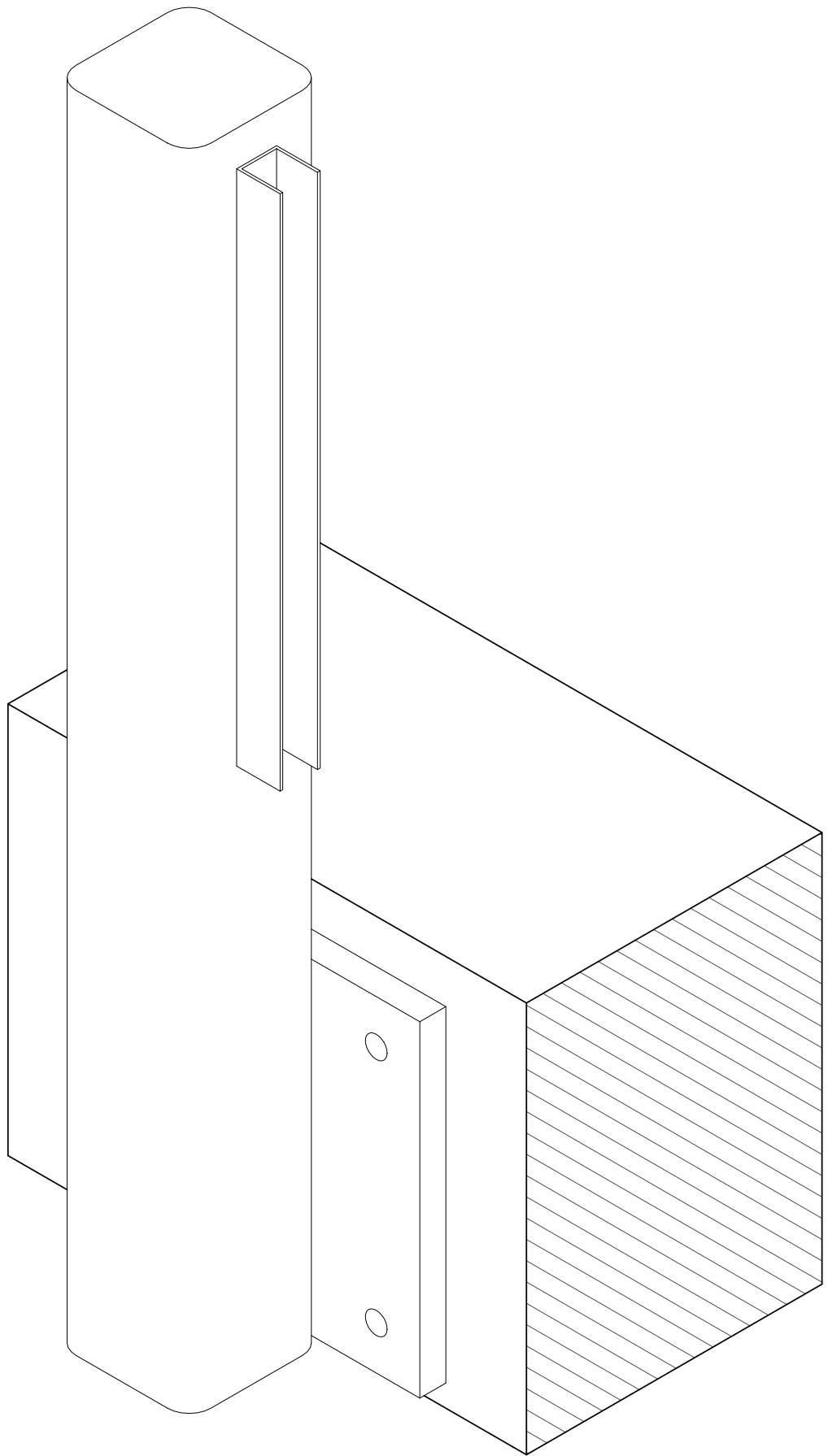
Date: 170317
Scale: 1 : 2

www.glassvice.com
Phone +64 9 414 6565
info@glassvice.com

Draft 02

Quick Code:

QSPF430



© 2016. The copyright of this document is the property of Glass Vice Limited and shall not be reproduced, copied, loaned or disposed of directly, or indirectly, nor used for any purpose other than that for which it is specifically furnished without prior consent.

All dimensions in millimetres

**GLASS
VICE**

Glassvice Slat Screen

Pool Fence

Timber Side Fix 3D

Date: 170317

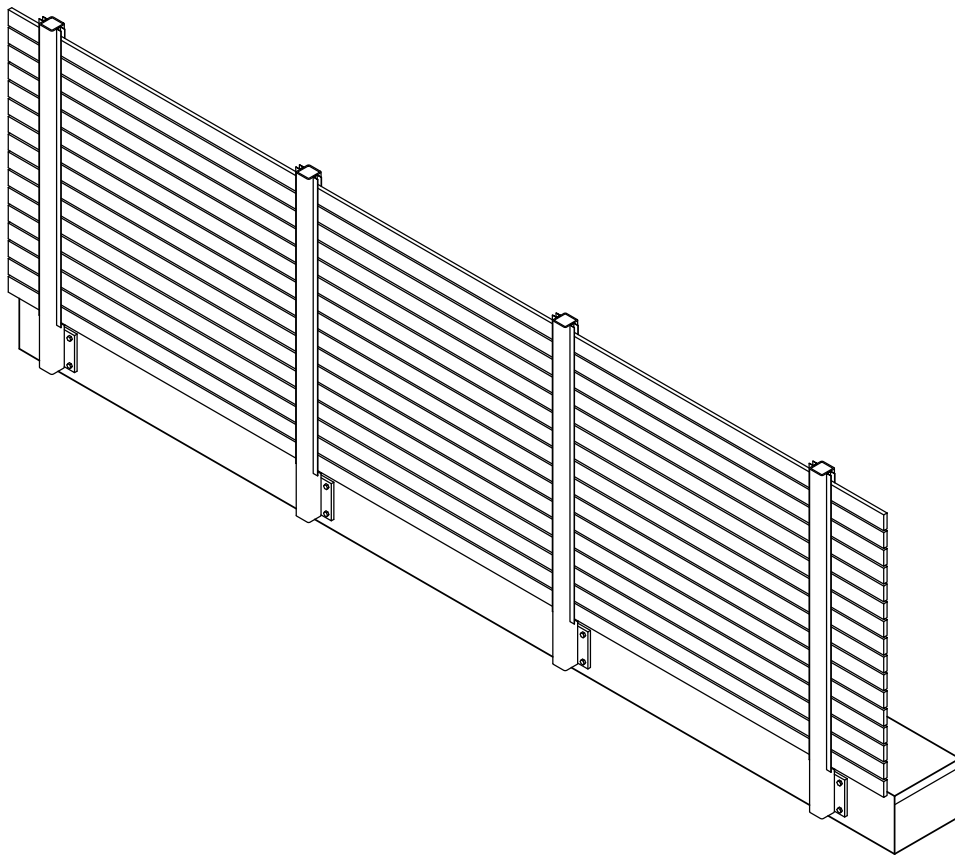
Scale:

Draft 02

Quick Code:

www.glassvice.com
Phone +64 9 414 6565
info@glassvice.com

QSPF440



© 2016. The copyright of this document is the property of Glass Vice Limited and shall not be reproduced, copied, loaned or disposed of directly, or indirectly, nor used for any purpose other than that for which it is specifically furnished without prior consent.

All dimensions in millimetres

**GLASS
VICE**

Glassvice Slat Screen

Pool Fence

Timber Side Fix full 3D

Date: 170317

Scale:

Draft 02

Quick Code:

www.glassvice.com
Phone +64 9 414 6565
info@glassvice.com

QSPF450