

Sheet Number	Sheet Name	Application
QS000	Detail Index	
QS110	Concrete Top Fix Elevation	
QS120	Concrete Top Fix Concrete Section View	
QS130	Concrete Top Fix Concrete Plan View	
QS140	Concrete Top Fix 3D	
QS150	Concrete Top Fix Full 3D view	
QS210	Timber Top Fix Elevation	
QS220	Timber Top Fix Section View	
QS230	Timber Top Fix Plan View	
QS240	Timber Top Fix 3D	
QS250	Timber Top Fix Full 3D view	
QS310	Concrete Side Fix Elevation	
QS320	Concrete Side Fix Concrete Section View	
QS330	Concrete Side Fix Concrete Plan View	
QS340	Concrete Side Fix 3D	
QS350	Concrete Side Fix Full 3D view	
QS410	Timber Side Fix Elevation	
QS420	Timber Side Fix Concrete Section View	
QS430	Timber Side Fix Concrete Plan View	
QS440	Timber Side Fix 3D	
QS450	Timber Side Fix Full 3D view	



Glassvice Slat Screen

Detail Index

Date: 161116

Scale:

Draft 02

Quick Code:

www.glassvice.com
Phone +64 9 414 6565
info@glassvice.com

QS000

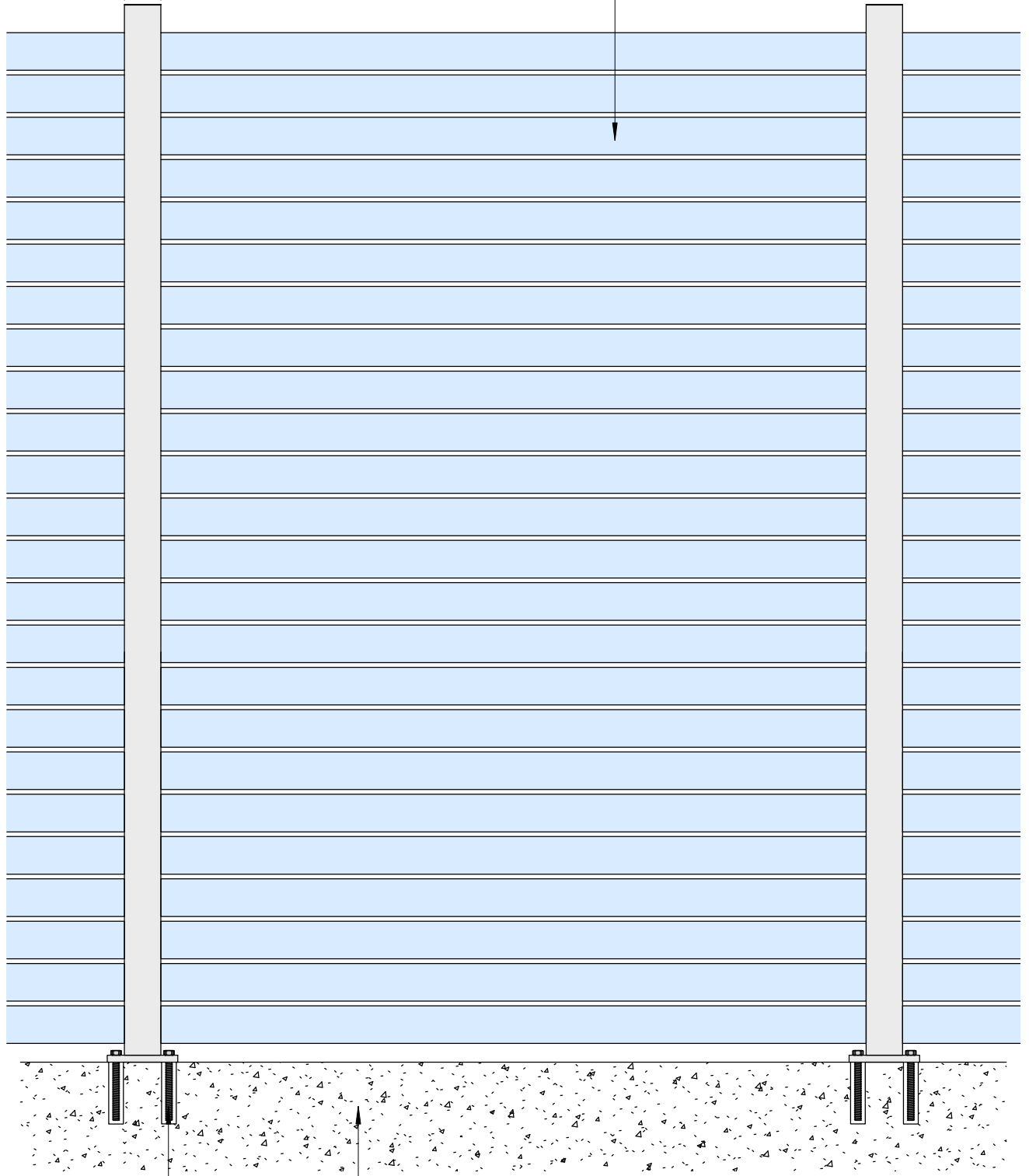
1200mm post centres

62 mm

Glassvice Slat Screen

1800 mm

100mm min. penetration



Concrete

10 dia. S/S threaded rod
10Ø100 lag screw

© 2016. The copyright of this document is the property of Glass Vice Limited and shall not be reproduced, copied, loaned or disposed of directly, or indirectly, nor used for any purpose other than that for which it is specifically furnished without prior consent.

All dimensions in millimetres



Glassvice Slat Screen

Concrete Top Fix Elevation

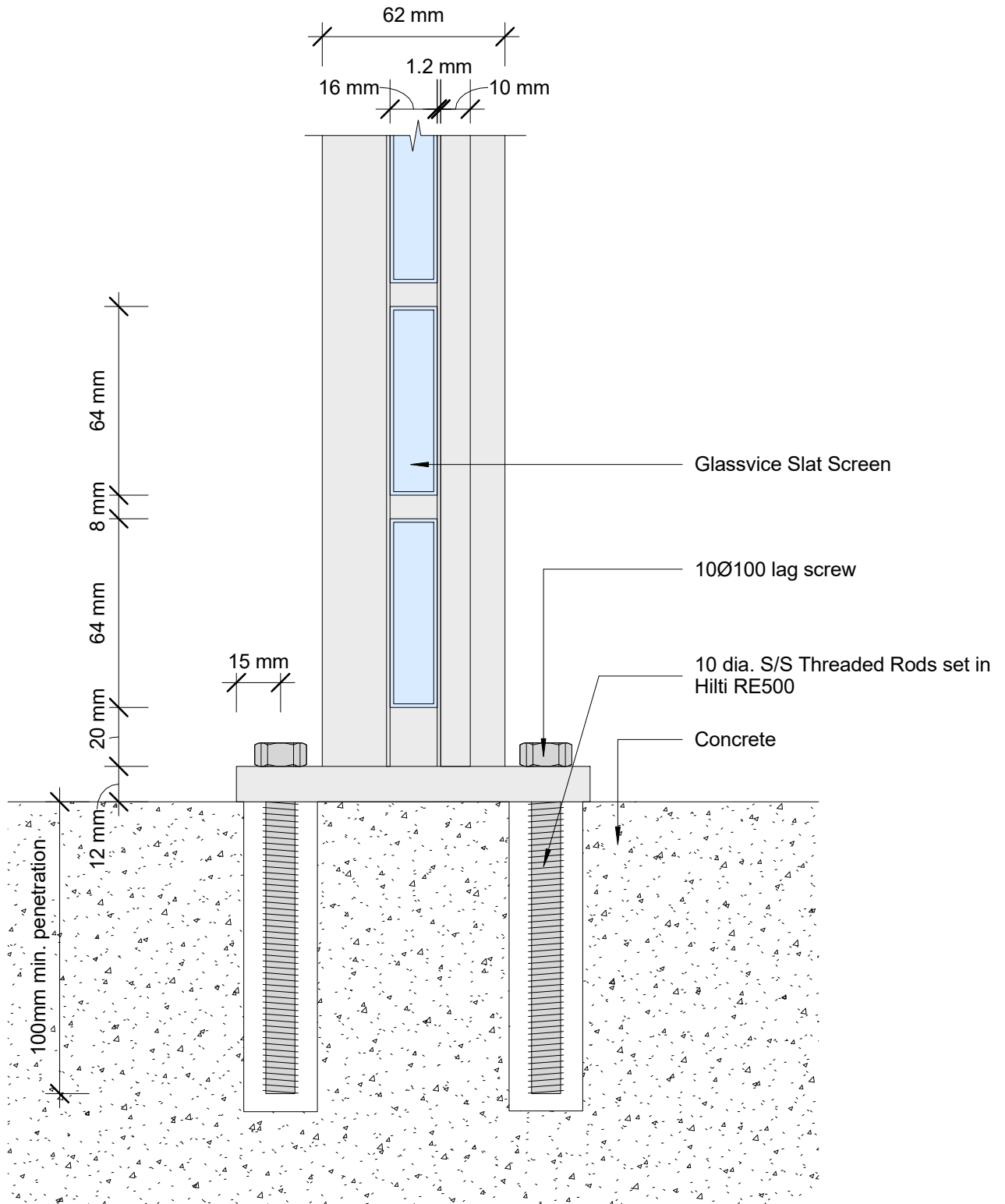
Date: 161116
Scale: 1 : 10

Draft 02

Quick Code:

www.glassvice.com
Phone +64 9 414 6565
info@glassvice.com

QS110



© 2016. The copyright of this document is the property of Glass Vice Limited and shall not be reproduced, copied, loaned or disposed of directly, or indirectly, nor used for any purpose other than that for which it is specifically furnished without prior consent.

All dimensions in millimetres

Glassvice Slat Screen

Date: 161116
Scale: 1 : 2

www.glassvice.com
Phone +64 9 414 6565
info@glassvice.com

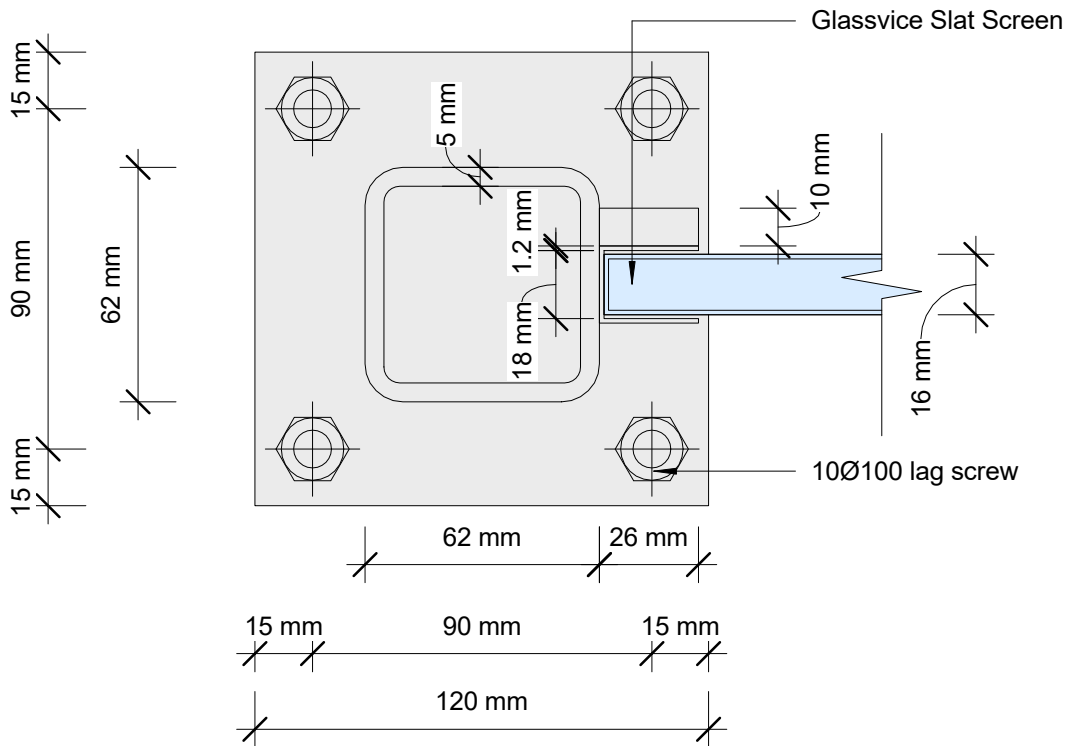
Draft 02

Quick Code:

QS120

**GLASS
VICE**

Concrete Top Fix Concrete Section View



© 2016. The copyright of this document is the property of Glass Vice Limited and shall not be reproduced, copied, loaned or disposed of directly, or indirectly, nor used for any purpose other than that for which it is specifically furnished without prior consent.

All dimensions in millimetres



Glassvice Slat Screen

Concrete Top Fix Concrete Plan View

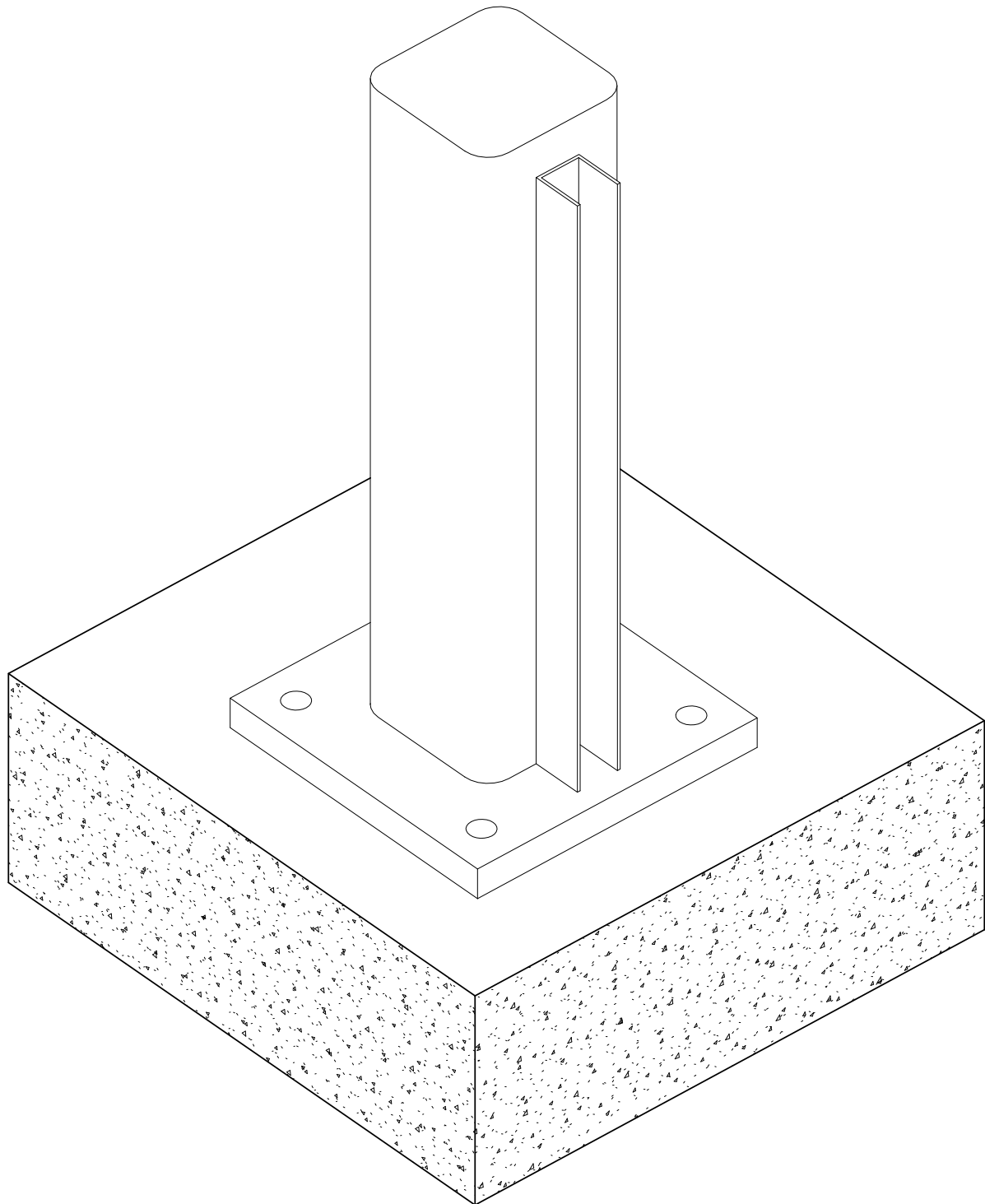
Date: 161116
Scale: 1 : 2

Draft 02

Quick Code:

www.glassvice.com
Phone +64 9 414 6565
info@glassvice.com

QS130



© 2016. The copyright of this document is the property of Glass Vice Limited and shall not be reproduced, copied, loaned or disposed of directly, or indirectly, nor used for any purpose other than that for which it is specifically furnished without prior consent.

All dimensions in millimetres

Glassvice Slat Screen

Date: 161116
Scale:

www.glassvice.com
Phone +64 9 414 6565
info@glassvice.com

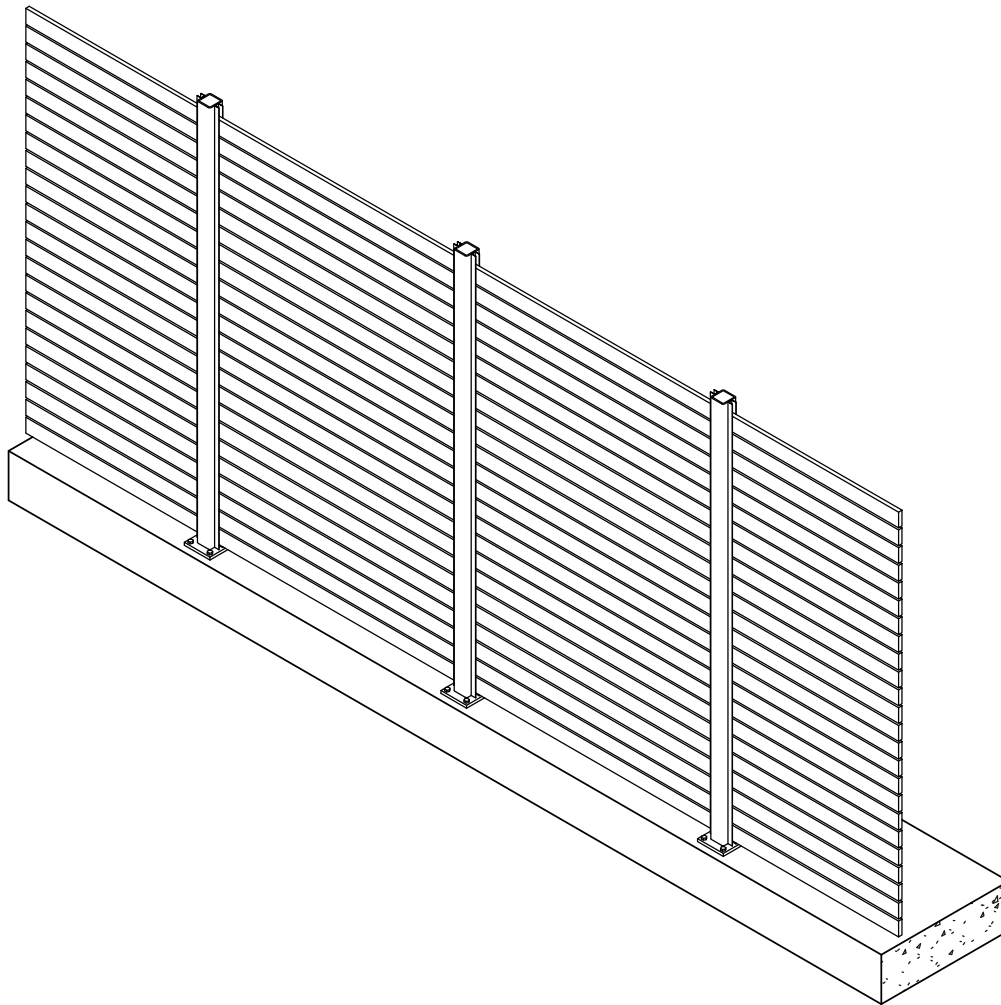
Draft 02

Quick Code:

QS140

**GLASS
VICE**

Concrete Top Fix 3D



© 2016. The copyright of this document is the property of Glass Vice Limited and shall not be reproduced, copied, loaned or disposed of directly, or indirectly, nor used for any purpose other than that for which it is specifically furnished without prior consent.

All dimensions in millimetres



Glassvice Slat Screen

Concrete Top Fix Full 3D view

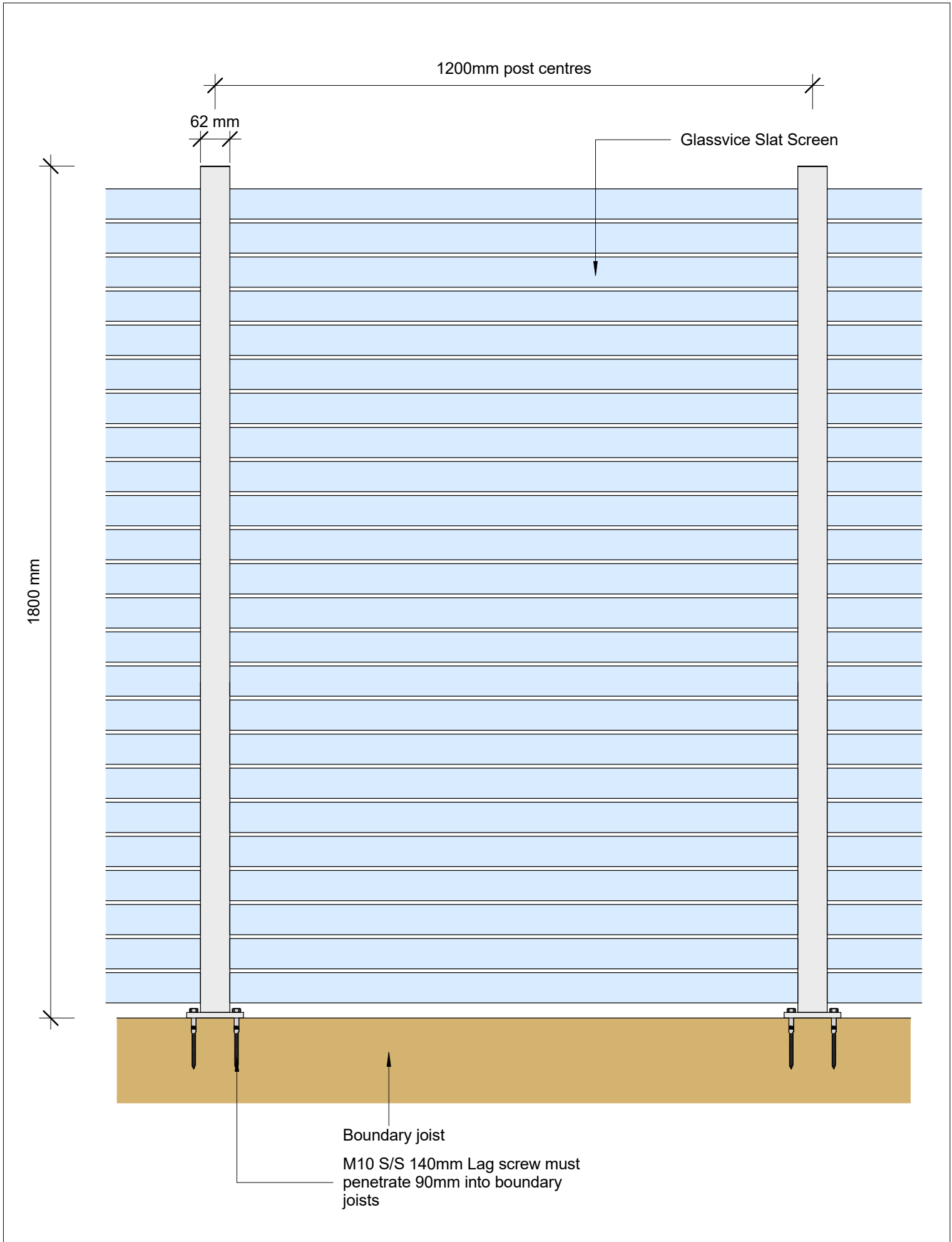
Date: 161116
Scale:

Draft 02

Quick Code:

www.glassvice.com
Phone +64 9 414 6565
info@glassvice.com

QS150



© 2016. The copyright of this document is the property of Glass Vice Limited and shall not be reproduced, copied, loaned or disposed of directly, or indirectly, nor used for any purpose other than that for which it is specifically furnished without prior consent.

All dimensions in millimetres



Glassvice Slat Screen

Timber Top Fix Elevation

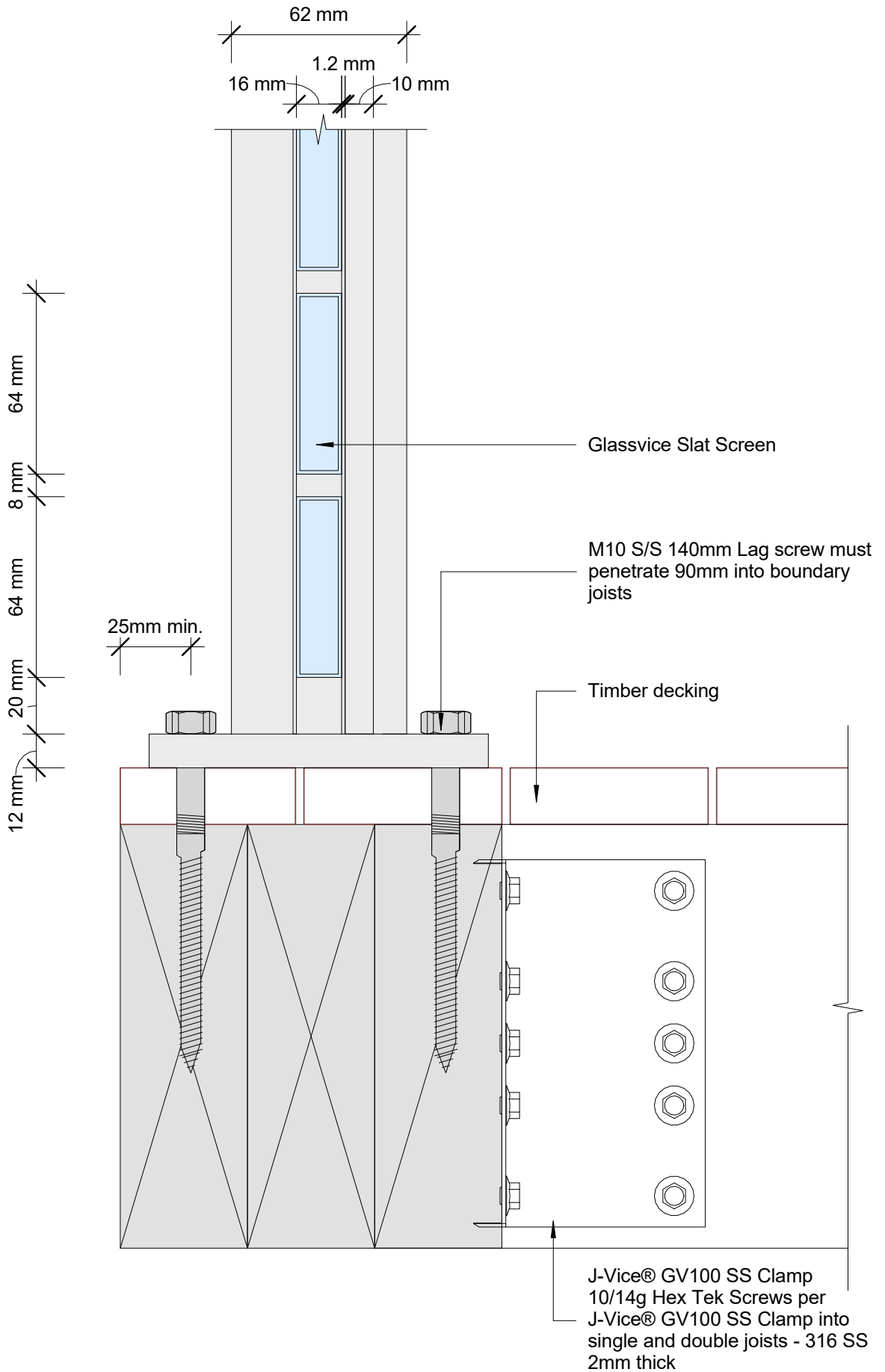
Date: 161116
Scale: 1 : 10

Draft 02

Quick Code:

www.glassvice.com
Phone +64 9 414 6565
info@glassvice.com

QS210



© 2016. The copyright of this document is the property of Glass Vice Limited and shall not be reproduced, copied, loaned or disposed of directly, or indirectly, nor used for any purpose other than that for which it is specifically furnished without prior consent.

All dimensions in millimetres

Glassvice Slat Screen

Date: 161116
Scale: 1 : 2

www.glassvice.com
Phone +64 9 414 6565
info@glassvice.com

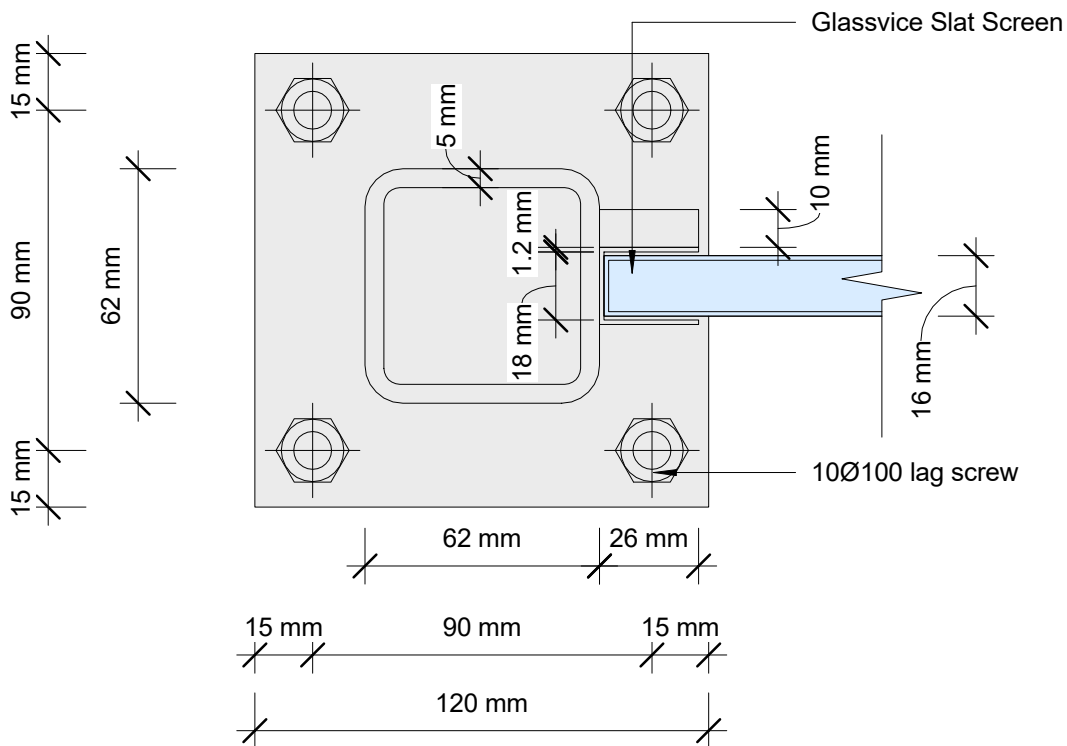
Draft 02

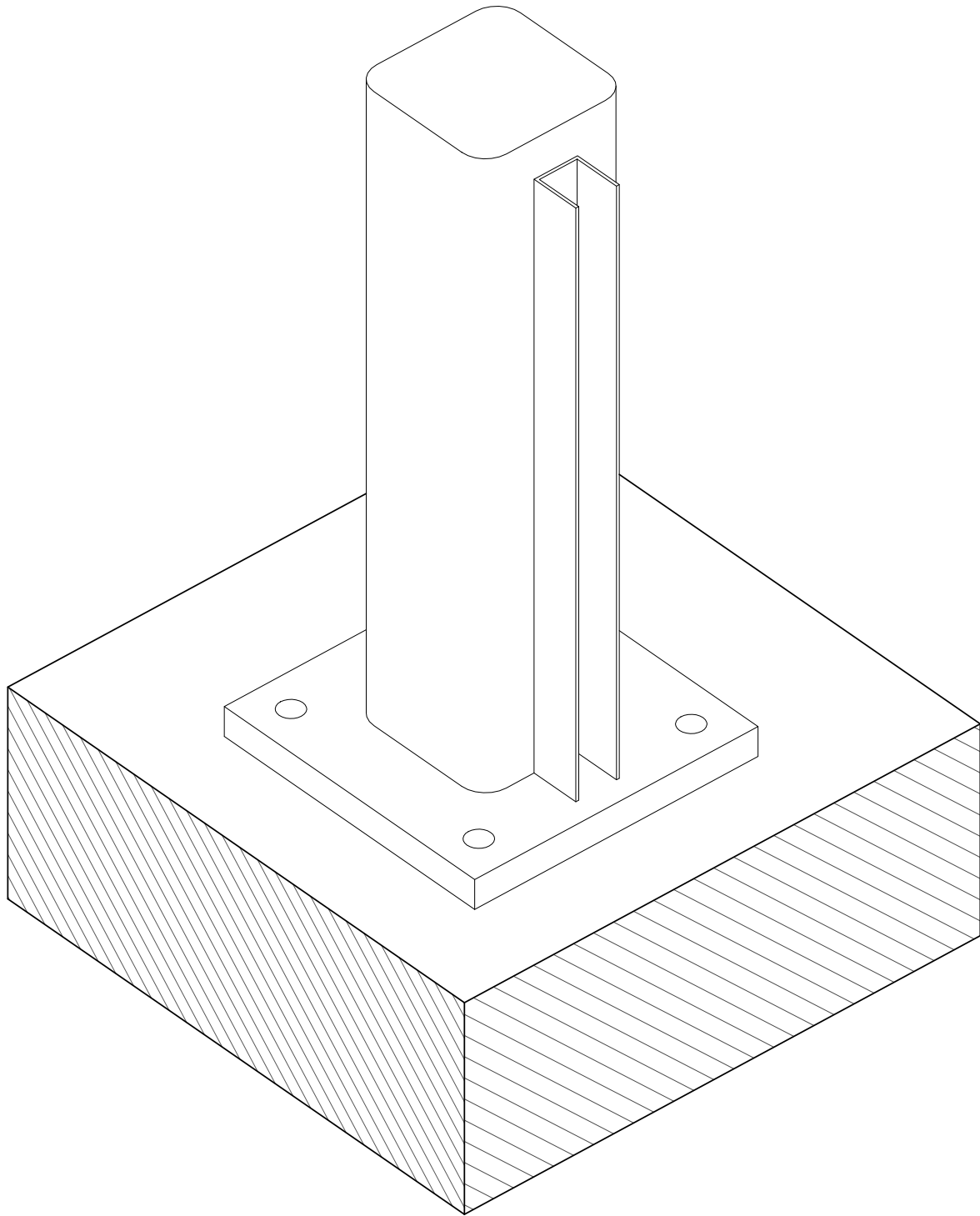
Quick Code:

QS220

GLASS
VICE

Timber Top Fix Section View





© 2016. The copyright of this document is the property of Glass Vice Limited and shall not be reproduced, copied, loaned or disposed of directly, or indirectly, nor used for any purpose other than that for which it is specifically furnished without prior consent.

All dimensions in millimetres



Glassvice Slat Screen

Timber Top Fix 3D

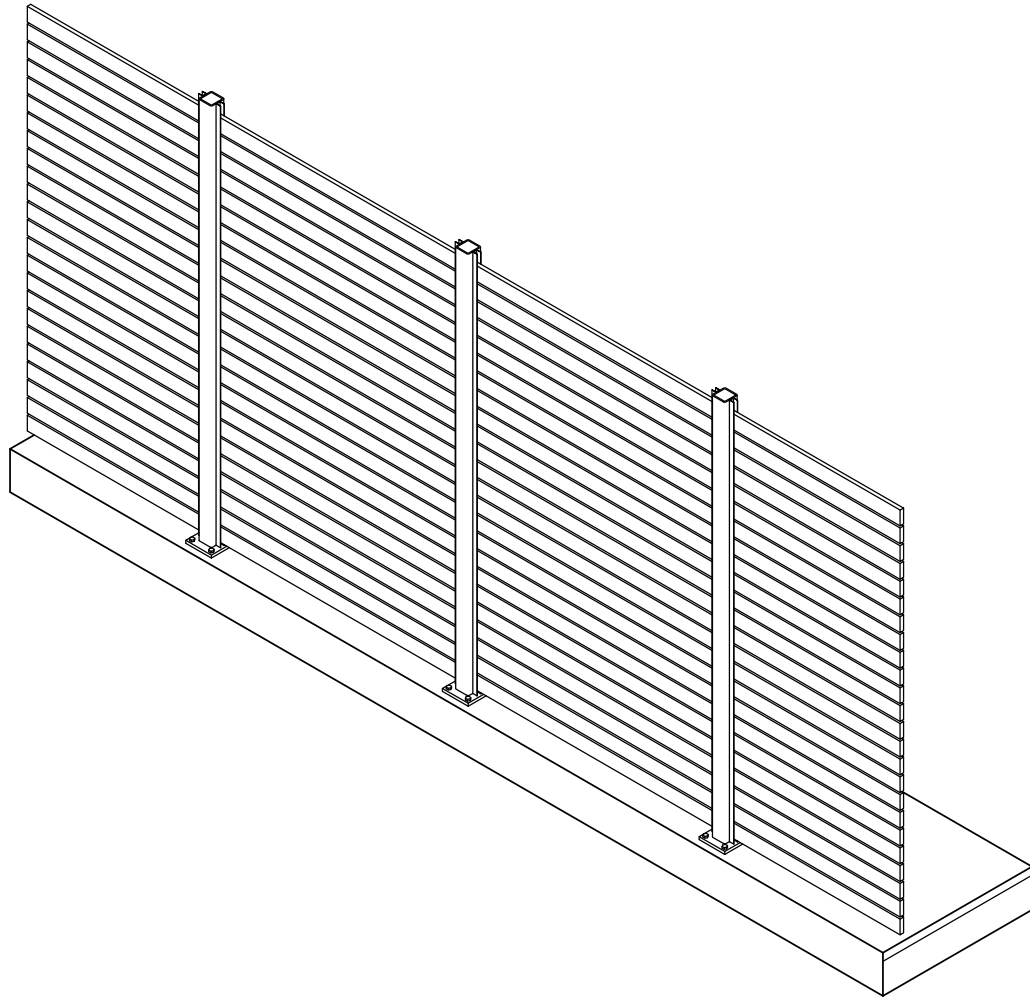
Date: 161116
Scale:

Draft 02

Quick Code:

www.glassvice.com
Phone +64 9 414 6565
info@glassvice.com

QS240



© 2016. The copyright of this document is the property of Glass Vice Limited and shall not be reproduced, copied, loaned or disposed of directly, or indirectly, nor used for any purpose other than that for which it is specifically furnished without prior consent.

All dimensions in millimetres



Glassvice Slat Screen

Timber Top Fix Full 3D view

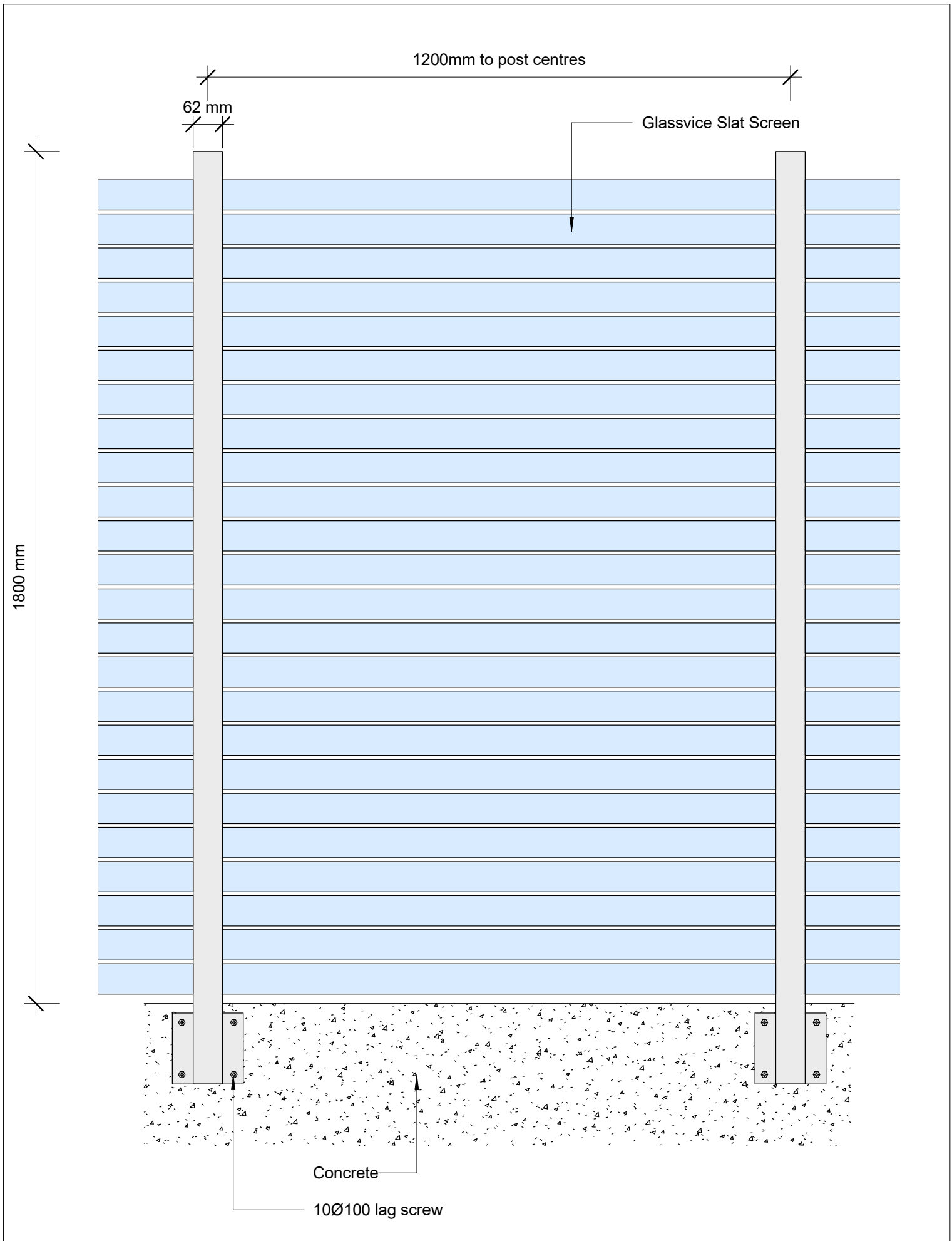
Date: 161116
Scale:

Draft 02

Quick Code:

www.glassvice.com
Phone +64 9 414 6565
info@glassvice.com

QS250



© 2016. The copyright of this document is the property of Glass Vice Limited and shall not be reproduced, copied, loaned or disposed of directly, or indirectly, nor used for any purpose other than that for which it is specifically furnished without prior consent.

All dimensions in millimetres



Glassvice Slat Screen

Concrete Side Fix Elevation

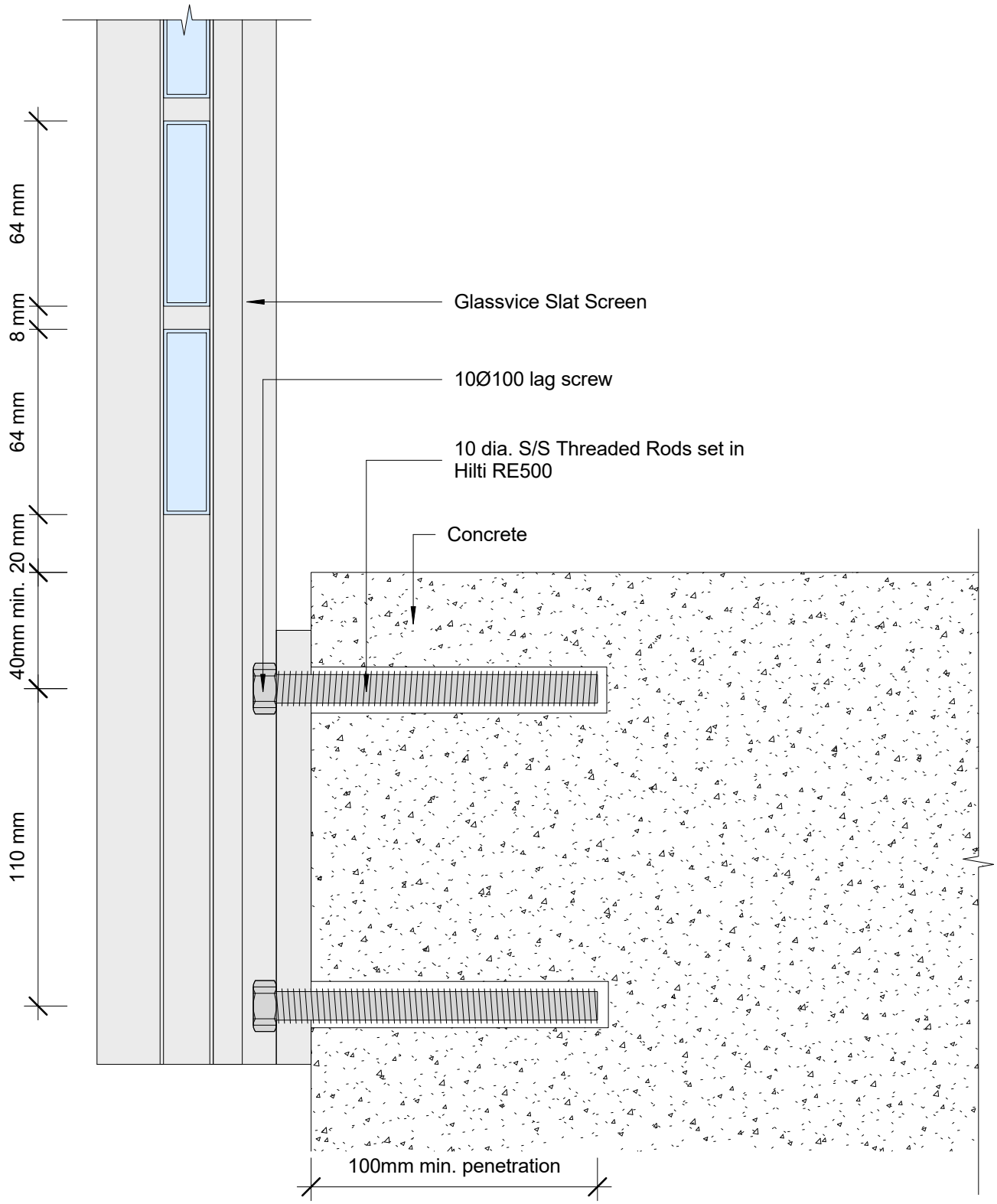
Date: 161116
Scale: 1 : 10

Draft 02

Quick Code:

www.glassvice.com
Phone +64 9 414 6565
info@glassvice.com

QS310



© 2016. The copyright of this document is the property of Glass Vice Limited and shall not be reproduced, copied, loaned or disposed of directly, or indirectly, nor used for any purpose other than that for which it is specifically furnished without prior consent.

All dimensions in millimetres

Glassvice Slat Screen

Date: 161116
Scale: 1 : 2

www.glassvice.com
Phone +64 9 414 6565
info@glassvice.com

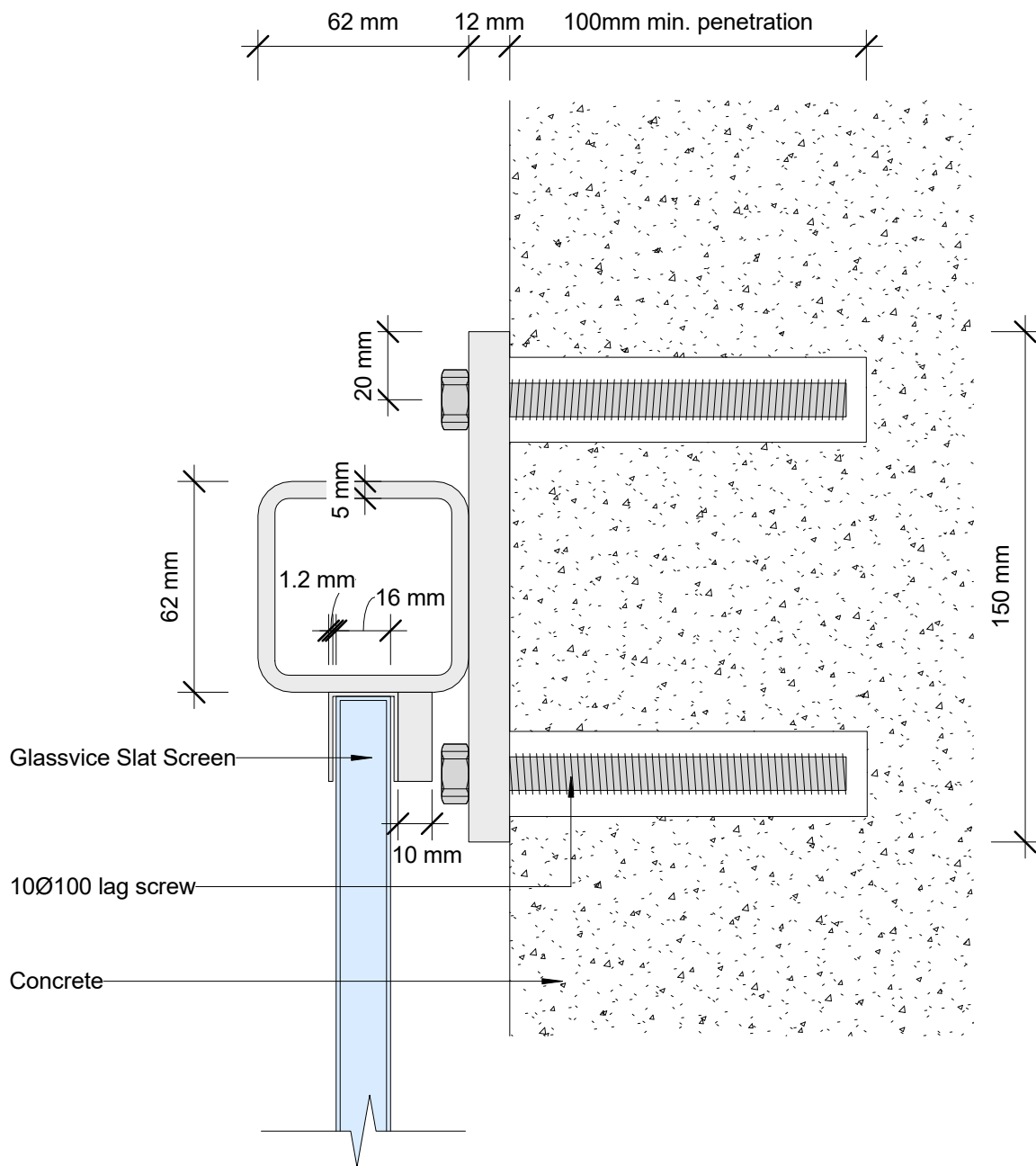


Concrete Side Fix Concrete Section View

Draft 02

Quick Code:

QS320



© 2016. The copyright of this document is the property of Glass Vice Limited and shall not be reproduced, copied, loaned or disposed of directly, or indirectly, nor used for any purpose other than that for which it is specifically furnished without prior consent.

All dimensions in millimetres

Glassvice Slat Screen

Date: 161116
Scale: 1 : 2

www.glassvice.com
Phone +64 9 414 6565
info@glassvice.com

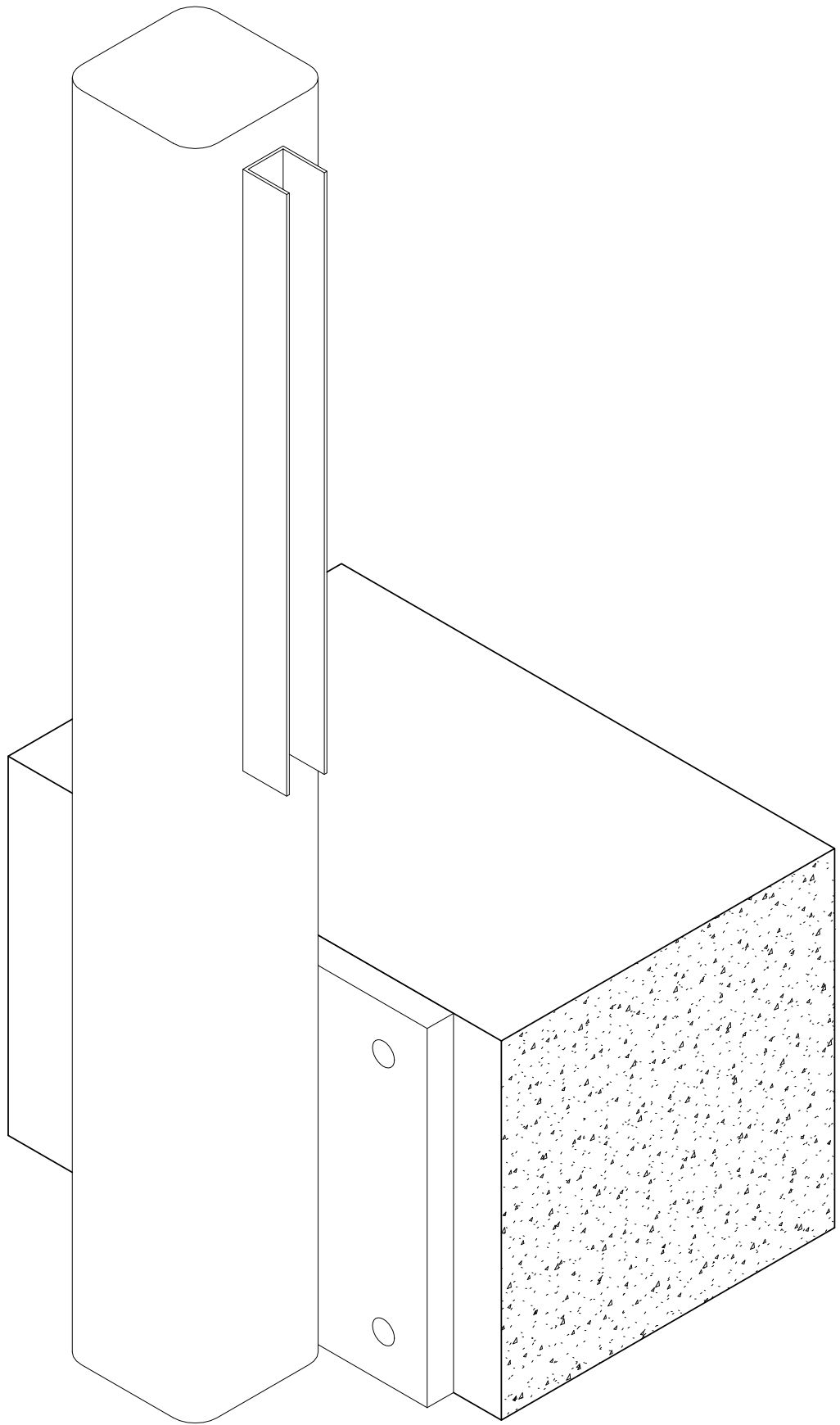
Draft 02

Quick Code:

QS330

**GLASS
VICE**

Concrete Side Fix Concrete Plan View



© 2016. The copyright of this document is the property of Glass Vice Limited and shall not be reproduced, copied, loaned or disposed of directly, or indirectly, nor used for any purpose other than that for which it is specifically furnished without prior consent.

All dimensions in millimetres

Glassvice Slat Screen

Date: 161116
Scale:

www.glassvice.com
Phone +64 9 414 6565
info@glassvice.com

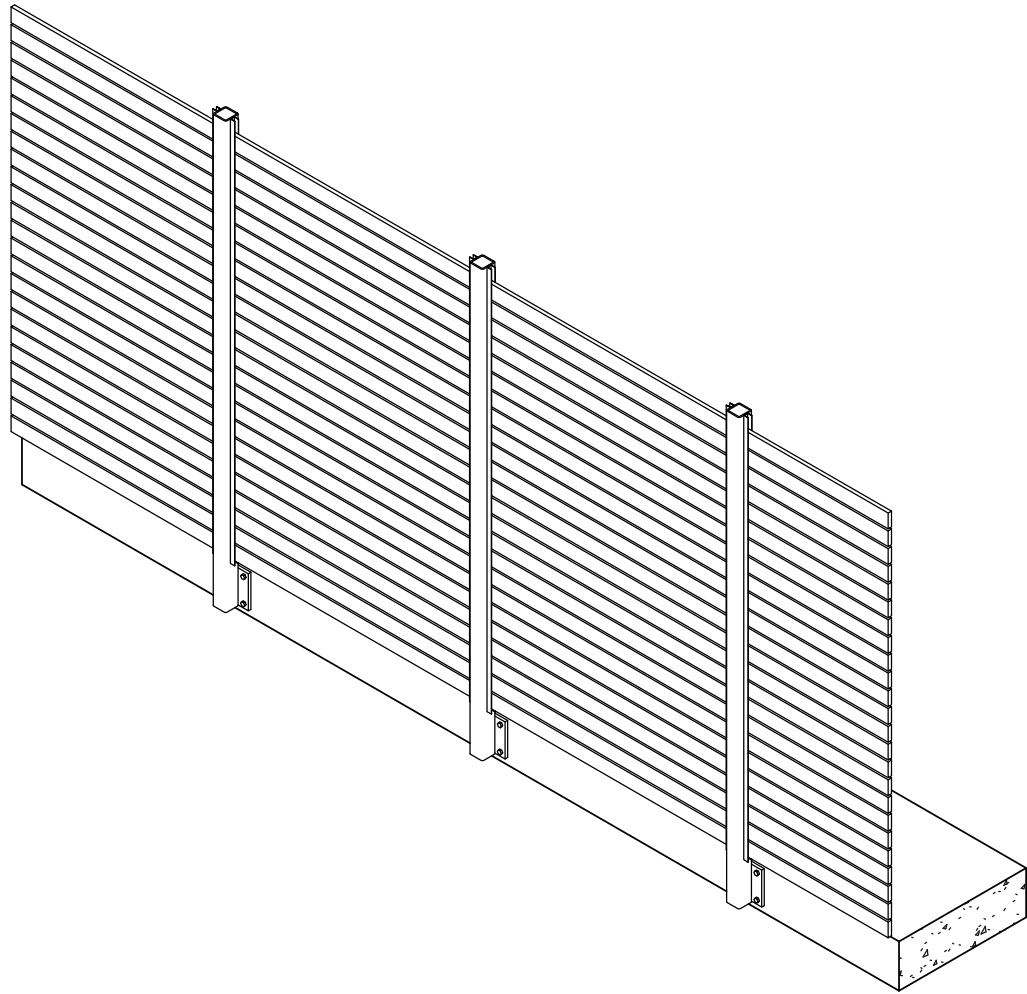
Draft 02

Quick Code:

QS340

**GLASS
VICE**

Concrete Side Fix 3D



© 2016. The copyright of this document is the property of Glass Vice Limited and shall not be reproduced, copied, loaned or disposed of directly, or indirectly, nor used for any purpose other than that for which it is specifically furnished without prior consent.

All dimensions in millimetres



Glassvice Slat Screen

Concrete Side Fix Full 3D view

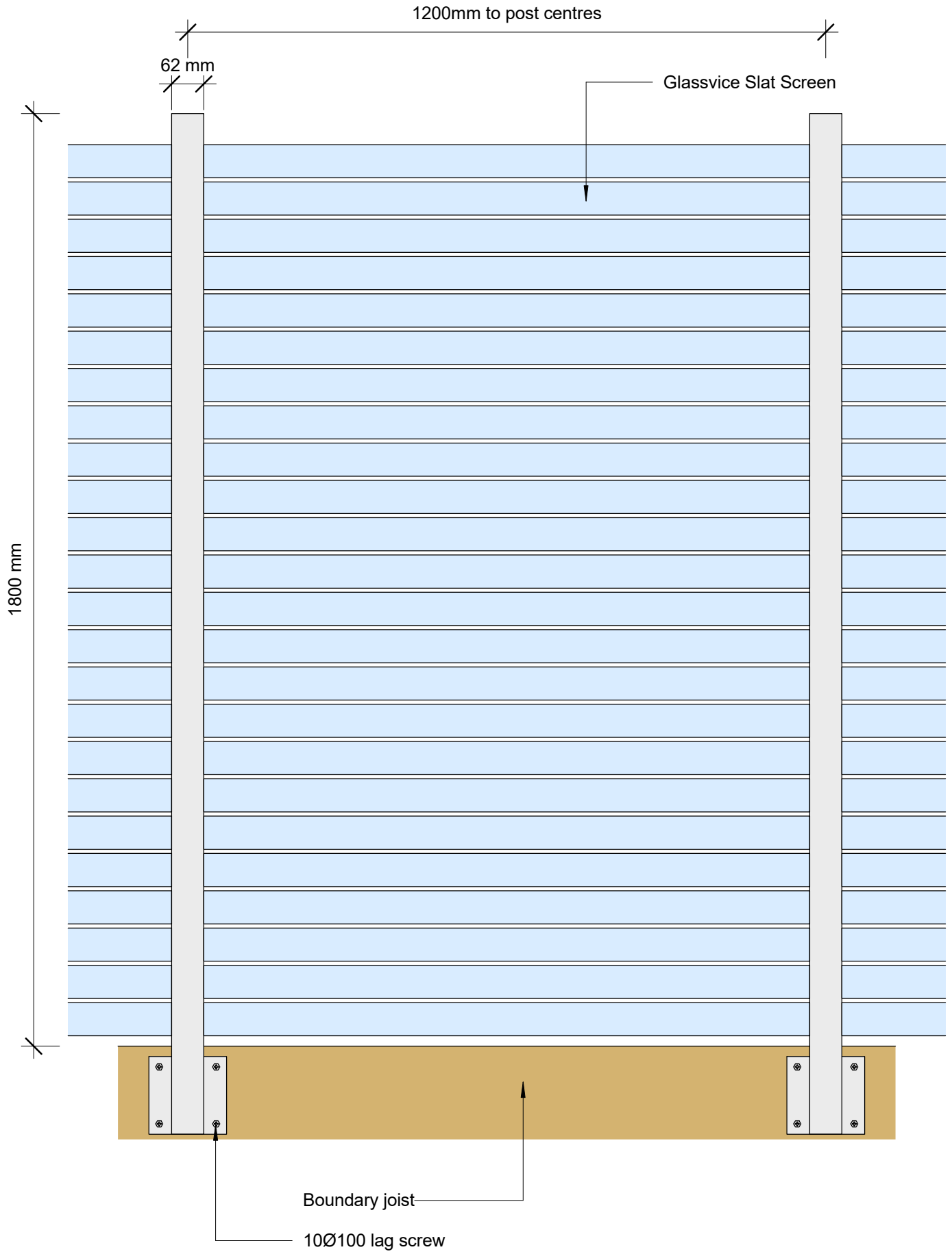
Date: 161116
Scale:

Draft 02

Quick Code:

www.glassvice.com
Phone +64 9 414 6565
info@glassvice.com

QS350



© 2016. The copyright of this document is the property of Glass Vice Limited and shall not be reproduced, copied, loaned or disposed of directly, or indirectly, nor used for any purpose other than that for which it is specifically furnished without prior consent.

All dimensions in millimetres



Glassvice Slat Screen

Timber Side Fix Elevation

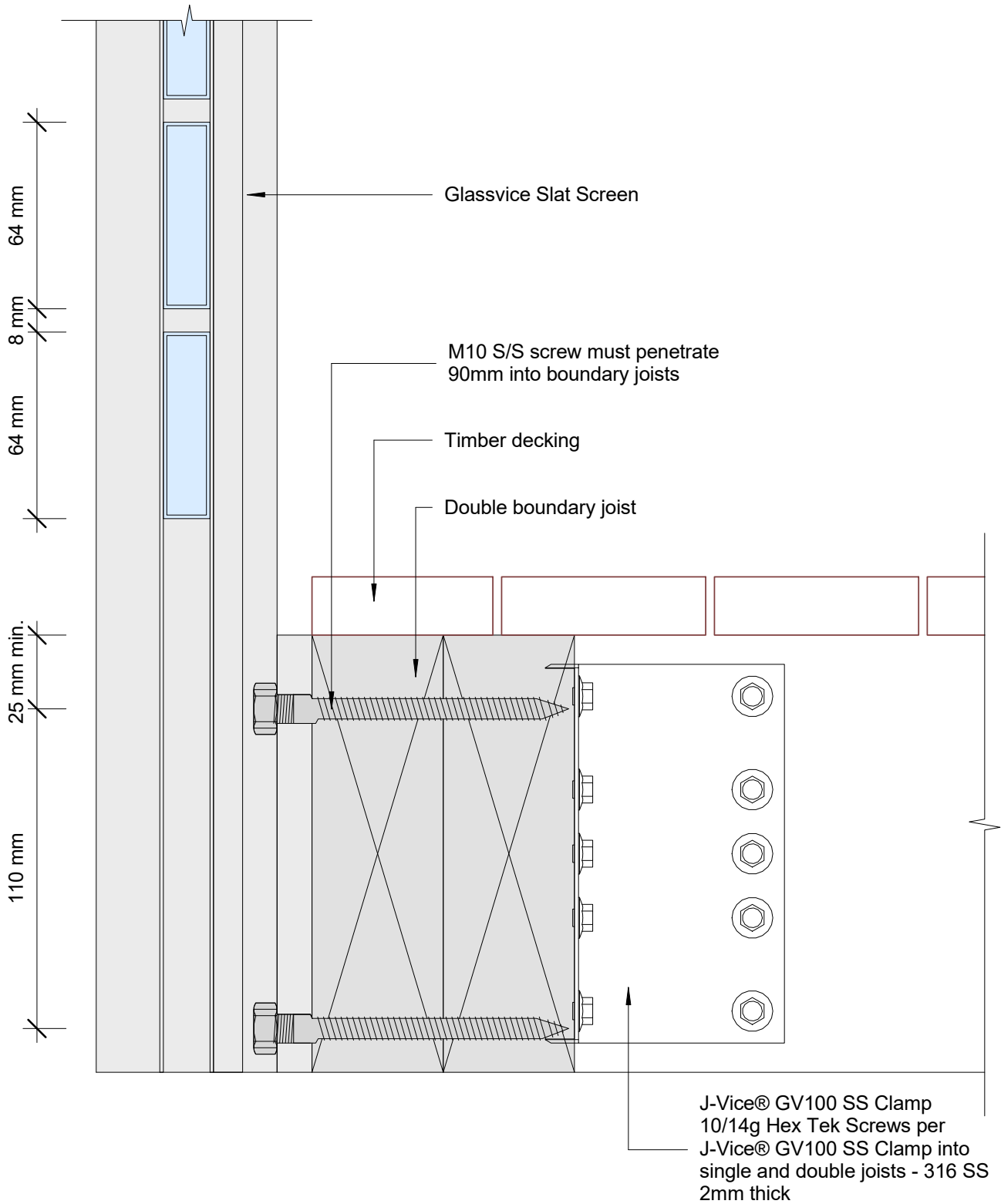
Date: 161116
Scale: 1 : 10

Draft 02

Quick Code:

www.glassvice.com
Phone +64 9 414 6565
info@glassvice.com

QS410



© 2016. The copyright of this document is the property of Glass Vice Limited and shall not be reproduced, copied, loaned or disposed of directly, or indirectly, nor used for any purpose other than that for which it is specifically furnished without prior consent.

All dimensions in millimetres

Glassvice Slat Screen

Date: 161116
Scale: 1 : 2

www.glassvice.com
Phone +64 9 414 6565
info@glassvice.com

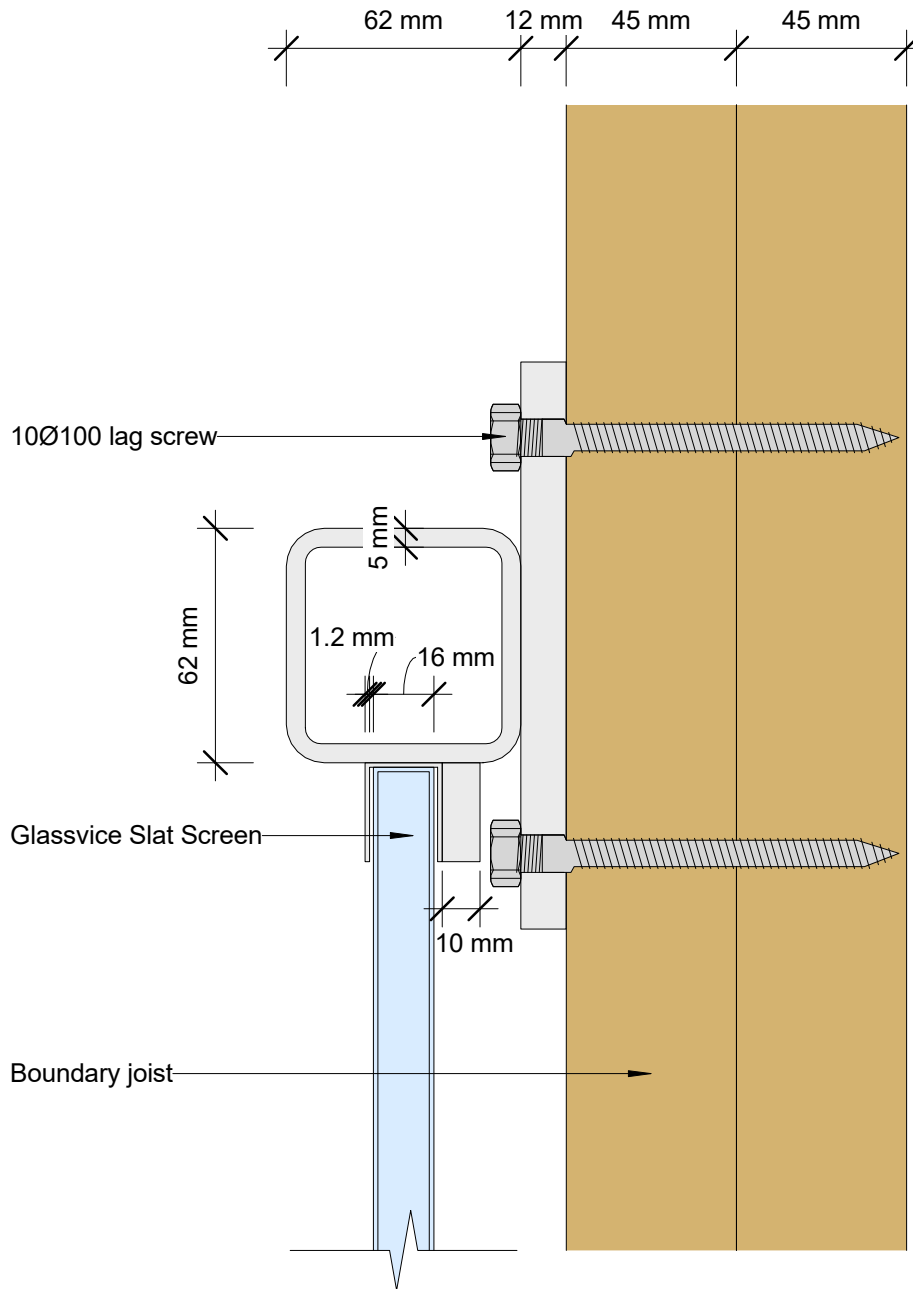
Draft 02

Quick Code:

QS420



Timber Side Fix Concrete Section View



© 2016. The copyright of this document is the property of Glass Vice Limited and shall not be reproduced, copied, loaned or disposed of directly, or indirectly, nor used for any purpose other than that for which it is specifically furnished without prior consent.

All dimensions in millimetres



Glassvice Slat Screen

Timber Side Fix Concrete Plan View

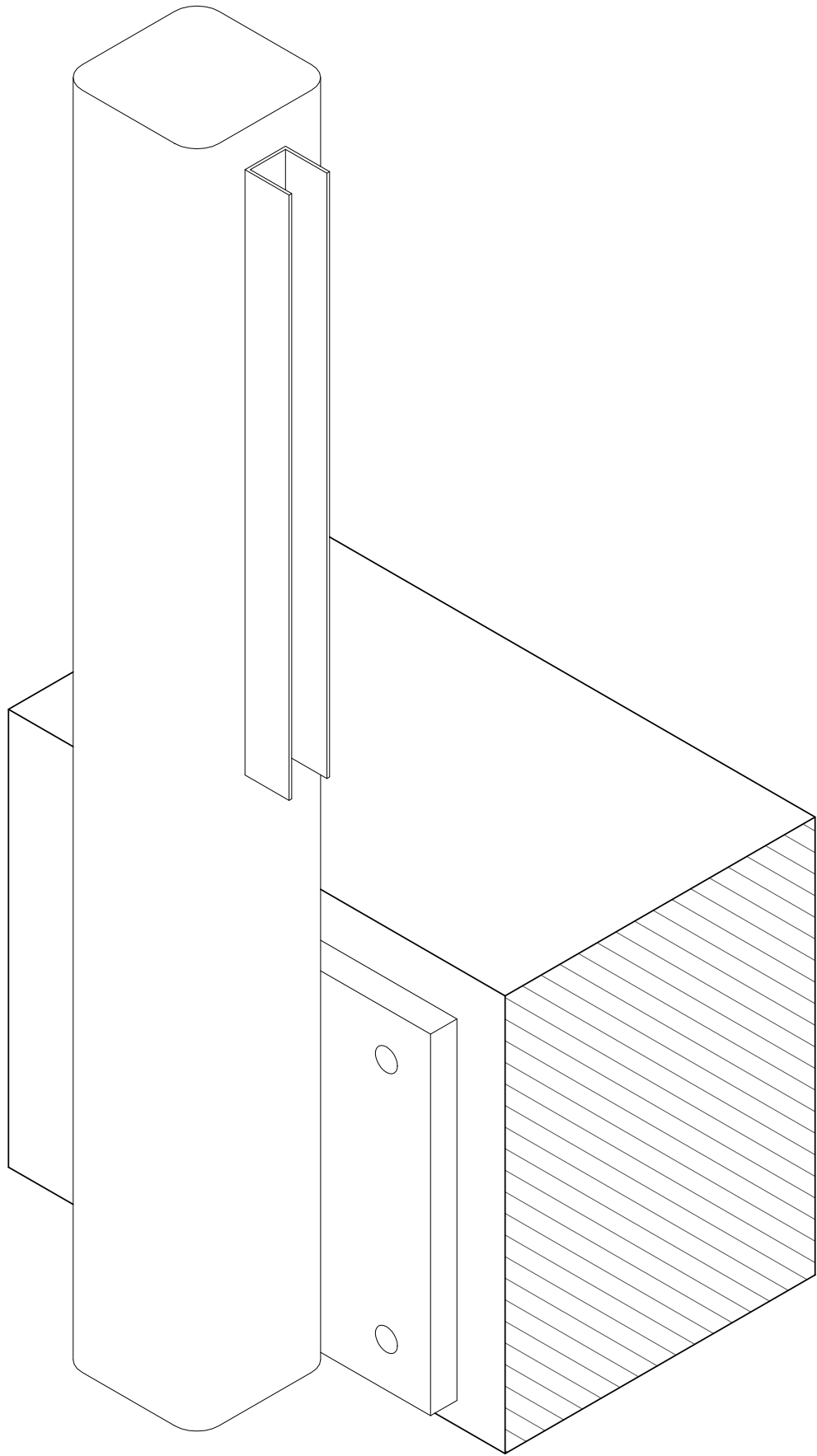
Date: 161116
Scale: 1 : 2

Draft 02

Quick Code:

www.glassvice.com
Phone +64 9 414 6565
info@glassvice.com

QS430



© 2016. The copyright of this document is the property of Glass Vice Limited and shall not be reproduced, copied, loaned or disposed of directly, or indirectly, nor used for any purpose other than that for which it is specifically furnished without prior consent.

All dimensions in millimetres

**GLASS
VICE**

Glassvice Slit Screen

Timber Side Fix 3D

Date: 161116

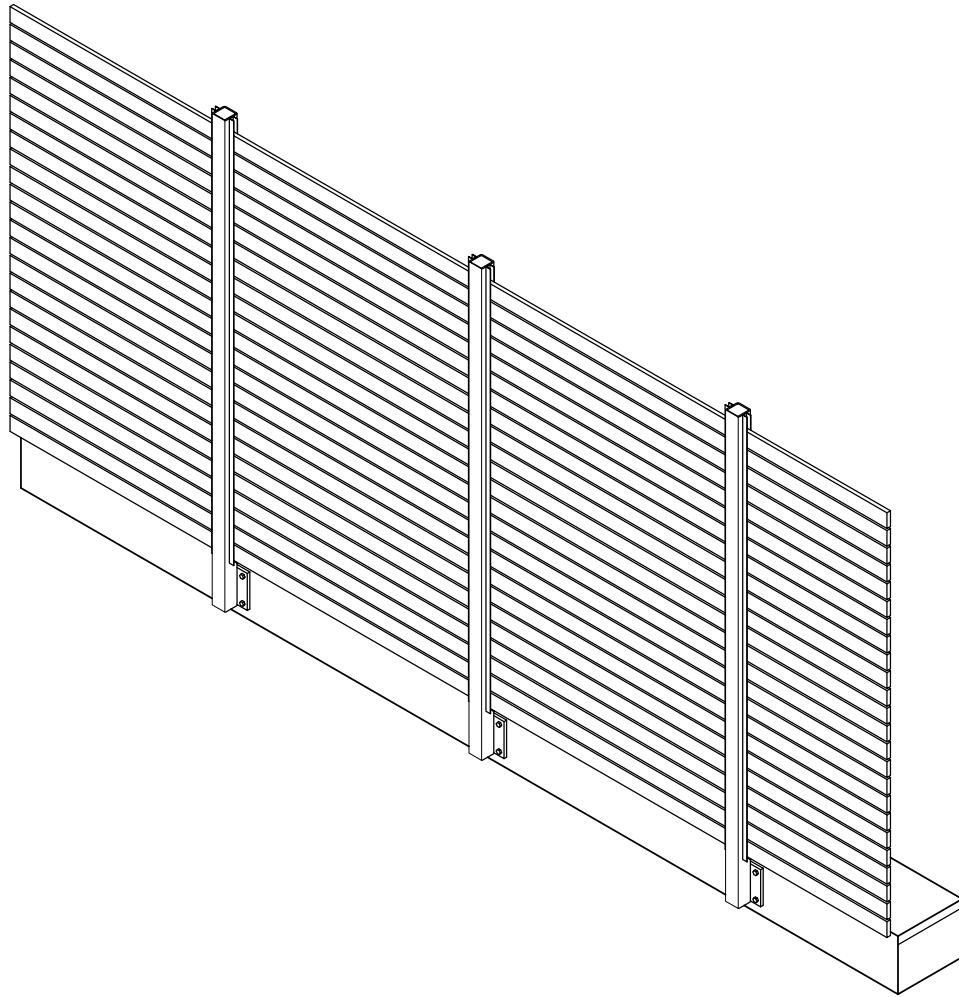
Scale:

Draft 02

Quick Code:

www.glassvice.com
Phone +64 9 414 6565
info@glassvice.com

QS440



© 2016. The copyright of this document is the property of Glass Vice Limited and shall not be reproduced, copied, loaned or disposed of directly, or indirectly, nor used for any purpose other than that for which it is specifically furnished without prior consent.

All dimensions in millimetres

**GLASS
VICE**

Glassvice Slat Screen

Timber Side Fix Full 3D view

Date: 161116
Scale:

Draft 02

Quick Code:

www.glassvice.com
Phone +64 9 414 6565
info@glassvice.com

QS450