

**GLASS
VICE®**

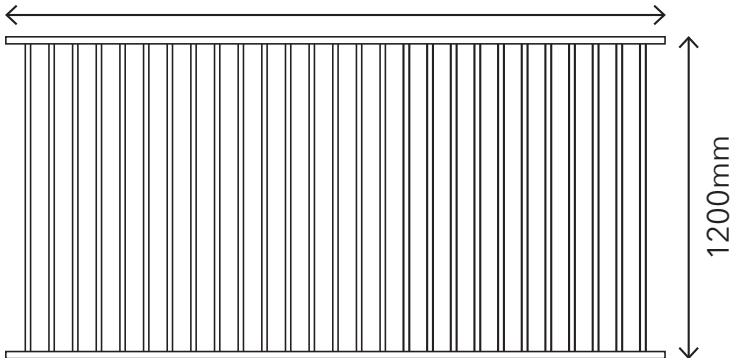
aluminium
fencing
pool & boundary

www.glassvice.com

**GLASS
VICE®**

FLAT TOP PANEL

2450mm



ADVANTAGES:

6 Point Welds

Pickets: 16mm Diameter x 1.2mm (Alloy 6063-T6)

Spacings: 72.1mm Gap With 88.1mm Centre

Rails: 38 x 25 x 1.6mm

Genuine Australian Interpon Powdercoat

Compliant To AS1926.1-2012

Available in Satin Black

Order Code

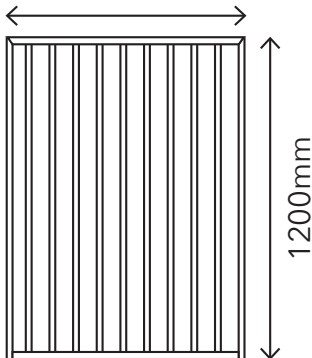
Description

GVTUBULAR001

Flat Top Panel - Satin Black

FLAT TOP GATE

975mm



ADVANTAGES:

6 Point Welds

Pickets: 16mm Diameter x 1.2mm (Alloy 6063-T6)

Spacings: 72.1mm Gap With 88.1mm Centre

Rails: 38 x 25 x 1.6mm

Genuine Australian Interpon Powdercoat

Compliant To AS1926.1-2012

Mitred Top Corners - Gate

Available in Satin Black

Order Code

Description

GVTUBULAR002

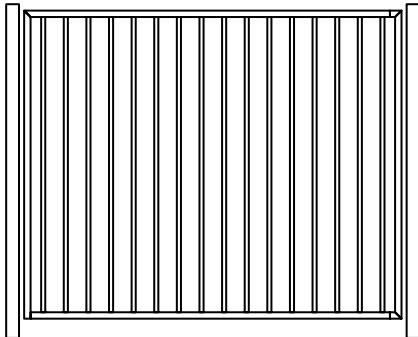
Flat Top Gate - Satin Black

Aluminium adjustable gates

**ADJUST
WIDTH**
NO WELDING
REQUIRED

Option 1: Adjustable Gate

POOL FENCING COMPLIANT



Width adjustable from 1470mm

ADVANTAGES:

6 Point Welds

Pickets: 16mm Diameter x 1.2mm (Alloy 6063-T6)

Spacings: 72.1mm Gap With 88.1mm Centre

Rails: 38 x 25 x 1.6mm

Compliant To AS1926.1-2012

Available in Satin Black

Order Code

Description

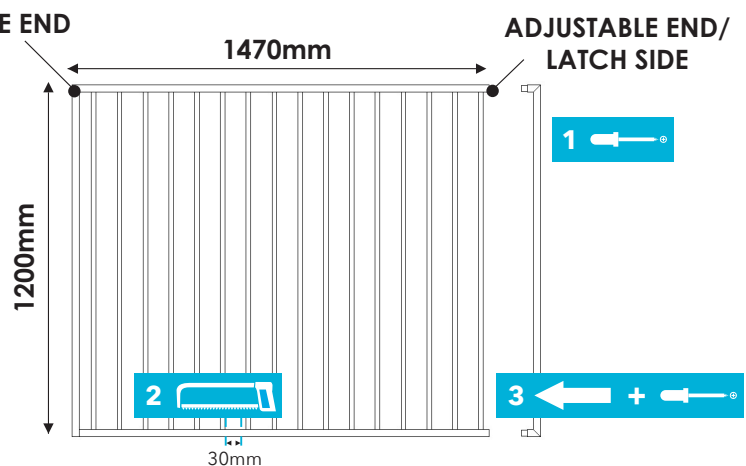
GVTUBULAR003

Adjustable Gate - 1470mm

HOW TO ADJUST

- 1 Unscrew latch side end
- 2 Cut gate at desired width. Allow a minimum of 30mm from edge of picket
- 3 Re-insert latch end piece and re-screw to secure. Use 2x screws top & bottom

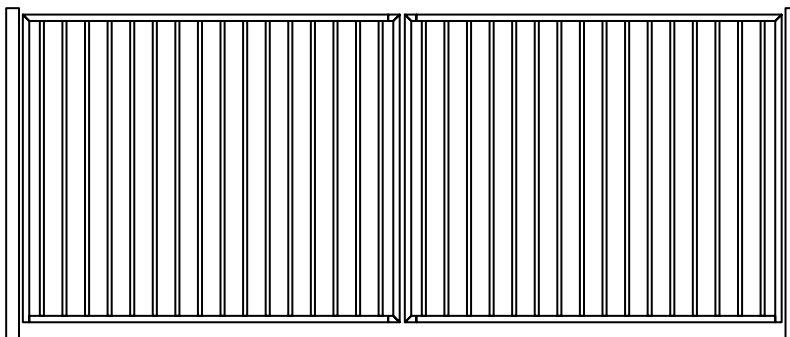
WELDED SIDE/HINGE END



Width adjustable from 1470mm

Option 2: Driveway Double Gates

NOT FOR POOL FENCING USE



EXTRAS REQUIRED:

- 1x Pair of Hinges
- 1x Latch
- 2x Drop Bolts
- 2x Posts

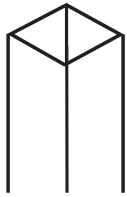
Use as a Double Driveway Gate Up to 3000mm Wide

2 x 1470mm Wide Gates Required For Option 2 (Driveway double gate)

Available In Satin Black

(No width adjustment required)

Fencing accessories



Core Drill Post

Available in Satin Black

1800mm post: **GVTUBULAR004**

2100mm post: **GVTUBULAR005**

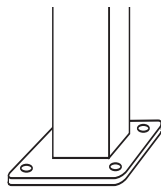
1.8mm Wall Thickness

Alloy 6063-T6

Available In Satin Black

Post Dimensions: 50 x 50mm

FREE top cap included with each post



Base Plated Post

Available in Satin Black

1300mm post: **GVTUBULAR006**

1600mm post: **GVTUBULAR007**

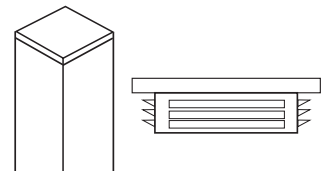
1.8mm Wall Thickness

Alloy 6063-T6

Available In Satin Black

Post Dimensions: 50 x 50mm

FREE top cap included with each post



Flat Top Cap

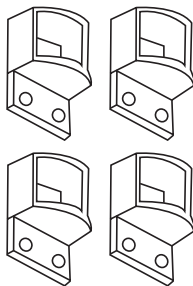
Black Nylon

Order Code: **GVTUBULAR010**

50 x 50mm square flat top cap

Internal fit

Black nylon



Horizontal Brackets

Available in Satin Black

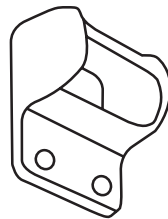
Order Code: **GVTUBULAR008**

Suitable for 38 x 25mm rail

Allows for horizontal rail adjustment

2x fixing holes

Pack includes 4x brackets & 10x self tapping tek screws



Vertical Bracket

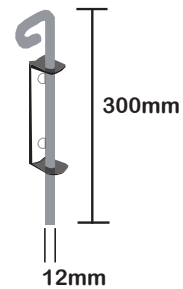
Available in Black nylon

Order Code: **GVTUBULAR009**

Suitable for 38 x 25mm rail

Allows for vertical rail adjustment

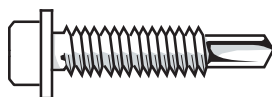
2x fixing holes



300mm Drop Bolt

Black

Order Code: **GVTUBULAR042**



Tek Screws

Black

Bag of 100: **GVTUBULAR011**

Bag of 500: **GVTUBULAR012**

Fencing accessories

D&D Technologies
Hi-Performance Hardware

Magna latch with KWIK fit hinge pair

Kit includes D&D top pull Magna Latch & 2x KWIK fit hinges

Self closing fixed tension hinges

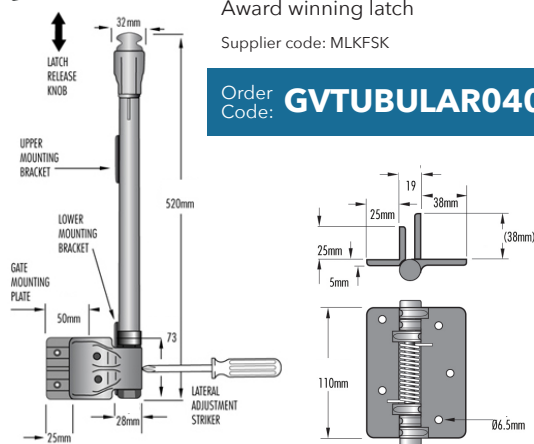
Rated for gates up to 20kG

Magnetically triggered latching lockable latch

Award winning latch

Supplier code: MLKFSK

Order Code: **GVTUBULAR040**



D&D Technologies
Hi-Performance Hardware

Magna latch with TRU close hinge pair

Kit includes D&D top pull Magna Latch & 2x TRU Close hinges

Patented tension adjustable hinges

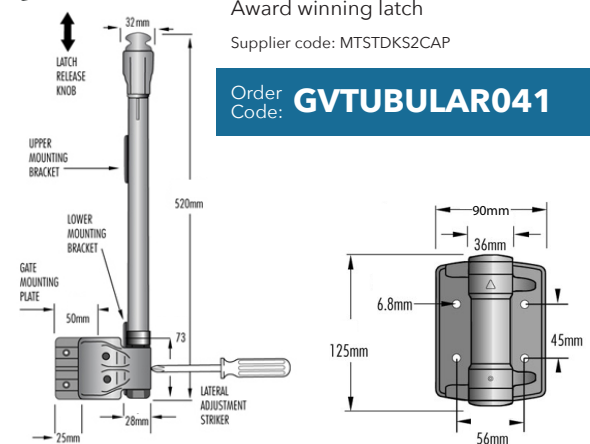
Rated for gates up to 25kG

Magnetically triggered latching lockable latch

Award winning latch

Supplier code: MTSTDKS2CAP

Order Code: **GVTUBULAR041**



19mm
gap spacing

D&D Technologies
Hi-Performance Hardware

KWIK Fit hinges Fixed tension

Self closing fixed tension hinges

Special fitting legs for ease of alignment with post & gate

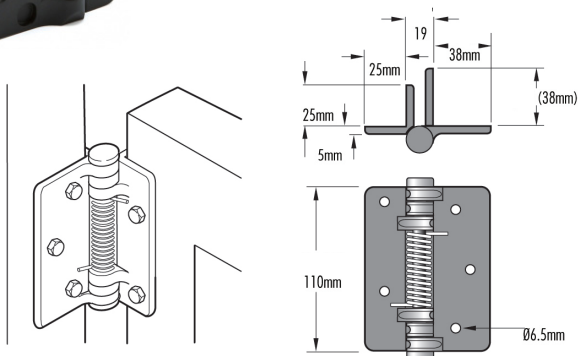
Strong polymer & stainless steel

Torsion spring construction

Rated for gates up to 20kG self close

Supplier code: KFS

Order Code: **GVTUBULAR030**



19mm
gap spacing

D | **TRUClose®**

TRU Close hinges Series 3 - Black

New design Tru Close hinges

Features tension adjustment from either end

Strong polymer & stainless steel

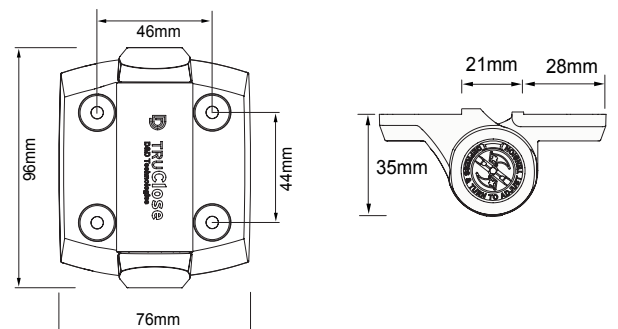
No visible fasteners

Limited lifetime warranty

Rated for gates up to 30kG

Supplier code: TCA1S3BT

Order Code: **GVTUBULAR031**



Fencing accessories

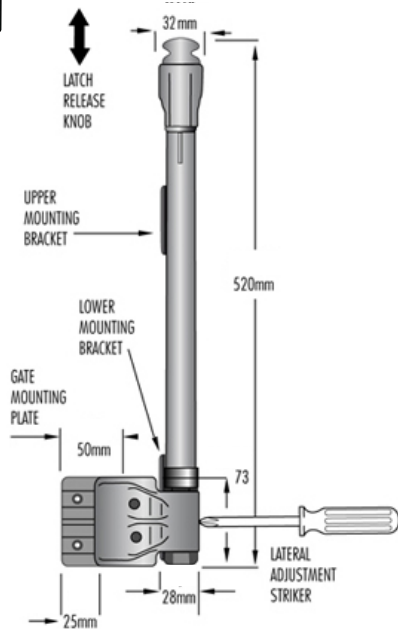
13-37mm
gap spacing

D&D Technologies
Hi-Performance Hardware

Top pull lockable latch kit

Magnetically triggered latching lockable latch
Adjusts horizontally and vertically
Includes adjustable striker plate
D&D limited lifetime warranty
Quick & easy to install
Tested to over 400,000 cycles
Supplier code: MLTPS2BGA

Order Code: **GVTUBULAR020**



8-10mm
gap spacing

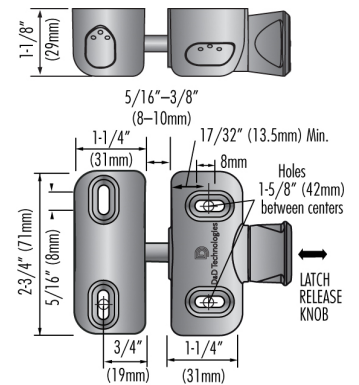
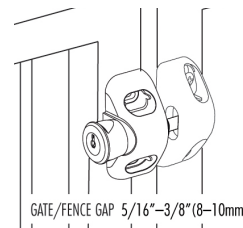
D&D Technologies
Hi-Performance Hardware

Face mount latch LOCKABLE



Can be retrofitted to previously fitted standard side pull installations
Key lockable
Adjusts horizontally & vertically
D&D limited lifetime warranty
Black polymer
Supplier code: MLSPS2L

Order Code: **GVTUBULAR021**



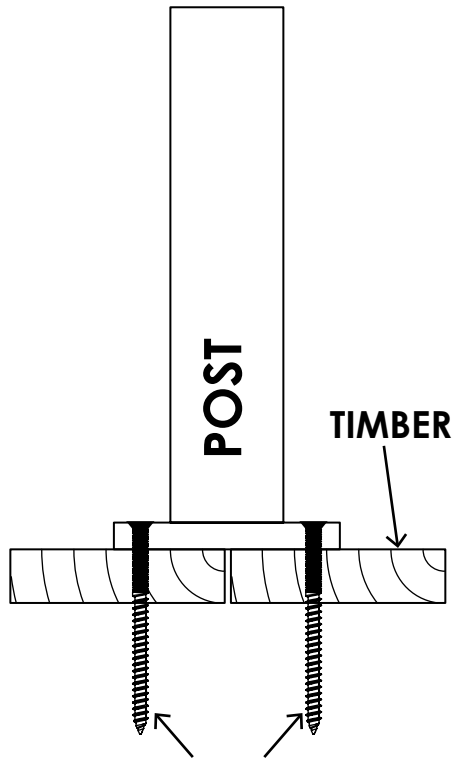
D Latch & Striker

Available in Black

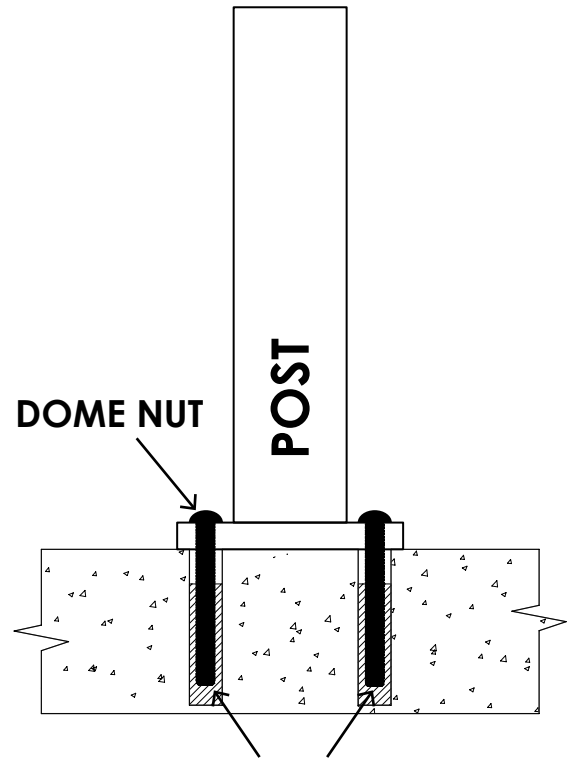
Order Code: **GVTUBULAR022**

Easy to install
Black powder coated aluminium

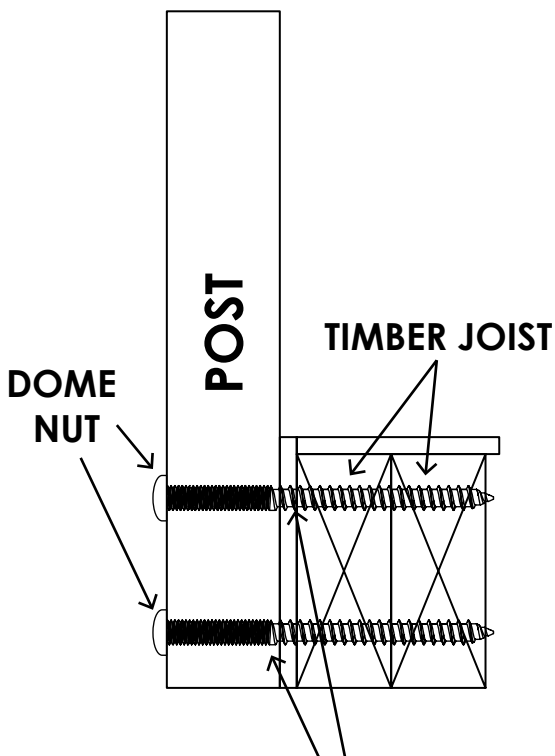
Glass Vice® tubular fencing



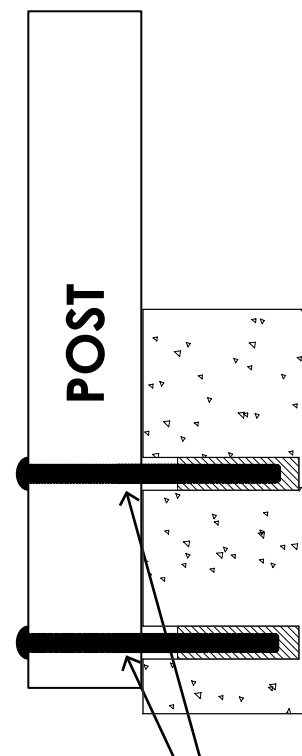
**M10 100MM COUNTERSUNK
SCREW INTO TIMBER**



**M10 90MM THREADED ROD
EPOXIED INTO CONCRETE**



**140MM LAG SCREWS
INTO TIMBER**



**120MM THREADED RODS
EPOXIED INTO CONCRETE**

Glass Vice® tubular care & maintenance

To maintain the appearance and protective properties of your powder coated surfaces, you need to routinely clean the surface to remove dirt and grime.

All you need is a gentle clean with a soft brush and mild detergent, followed by a fresh water rinse.

In normal environments cleaning should occur every 12 months, in coastal areas or environments, cleaning should occur every 3 months. In beach front, marine environments, cleaning should occur monthly.



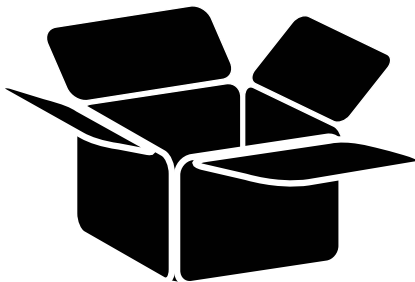
NEW ZEALAND WIDE

New Zealand wide delivery of all our products



PICK UP OR DELIVERY

Pick up available from:
24c William Pickering Drive
Albany
Auckland
Delivery to site available.



COURIER SERVICE

Parcels can be sent quickly and cost effectively anywhere in New Zealand by courier



TRANSPORT NATIONWIDE

General freight - heavy items
Line Haul Transport Nationwide



Phone: +64 9 414 6565
Mobile: +64 21 411 922
Fax: +64 9 414 6575
Email: info@glassvice.com
Address: 24C William Pickering Dr, Rosedale
Auckland 0632, New Zealand

www.glassvice.com

