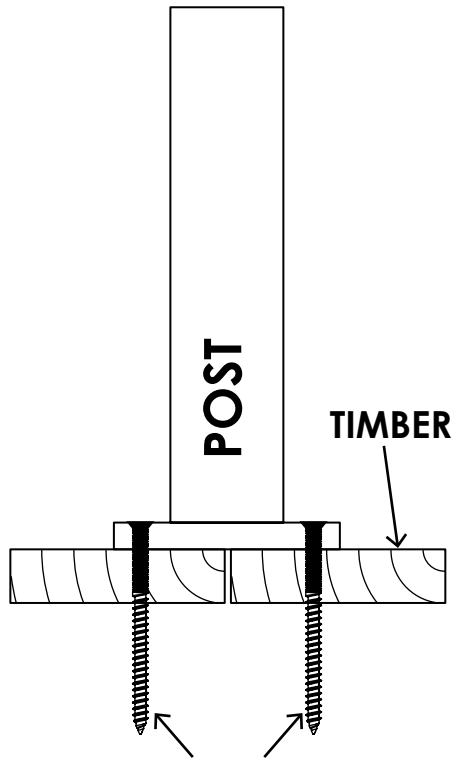
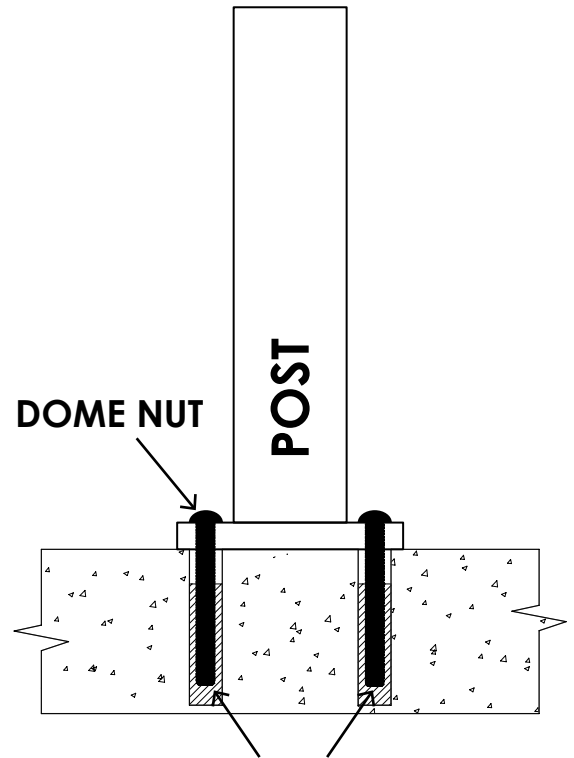


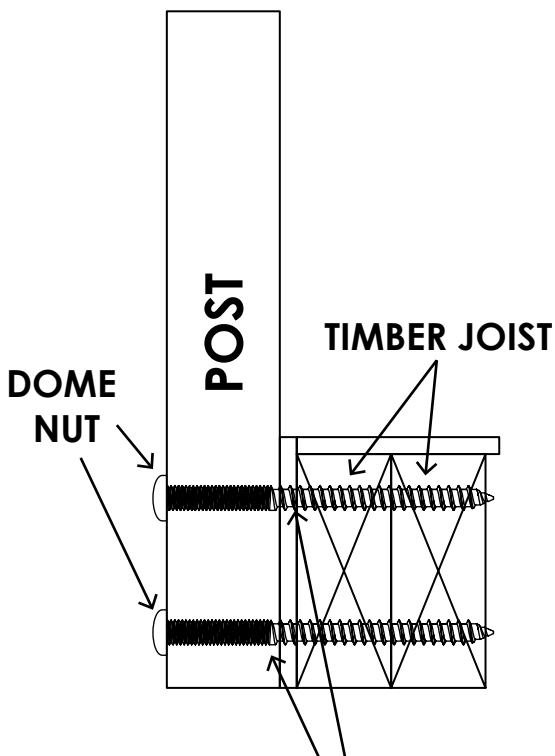
Glass Vice® tubular fencing



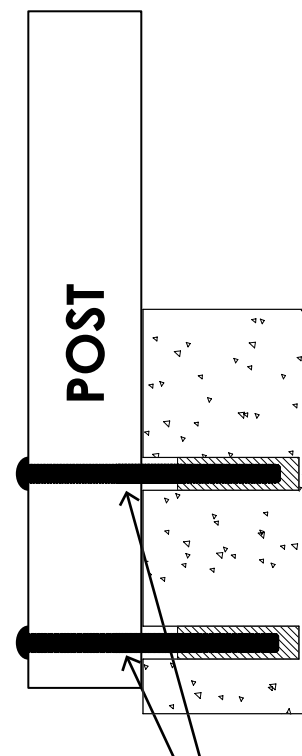
**M10 100MM COUNTERSUNK
SCREW INTO TIMBER**



**M10 90MM THREADED ROD
EPOXIED INTO CONCRETE**



**140MM LAG SCREWS
INTO TIMBER**



**120MM THREADED RODS
EPOXIED INTO CONCRETE**