

COMPLETE HINGE AND LATCH CONFIGURATIONS TO SUIT SEMI-FRAMELESS AND FRAMELESS APPLICATIONS

LATCHES

- Genuine D&D side pull latches
- FRICTION latches in glass to glass and 90 degree available
- Glass gate to wall latch also available
- D&D stainless steel FRICTION latch available
- Optional LOCKABLE latches also available
- Select between polish or satin finish

HINGES

- Self closing hinges are stainless steel 316 and incorporate an integrated cone cap
- Select between polish or satin finish
- Round post, square post, face mount and glass to glass hinges available



GLASS TO GLASS LATCH KIT

316 STAINLESS STEEL

Satin Or Polish Finish

Order Code: **MR-FLGSS-S** (satin finish)
MR-FLGSS-P (polish finish)



GLASS TO WALL/ SQ POST LATCH KIT

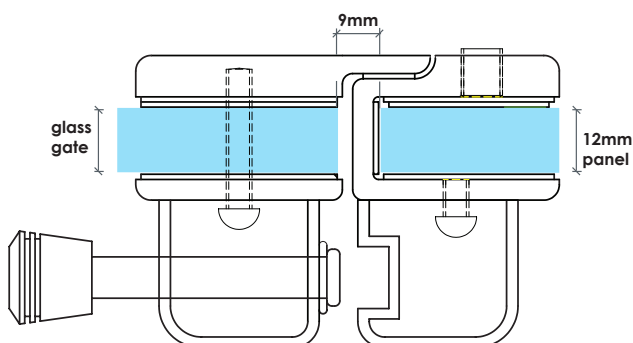
316 STAINLESS STEEL

Satin Or Polish Finish

Order Code: **MR-WGLSS-S** (satin finish)
MR-WGLSS-P (polish finish)

SPECIFICATION

- D&D stainless steel side pull latch; 316 stainless steel
- FRICTION LATCH for glass to glass 180 degree application
- Suits 8, 10 and 12mm glass gates
- Latch panel must be 12mm thick
 - No latch holes required
- Available in satin or polish finish



SPECIFICATION

- D&D stainless steel side pull latch; 316 stainless steel
- Suitable for application to wall or square posts
- Suits 8, 10 and 12mm glass gates
- Available in satin or polish finish

