

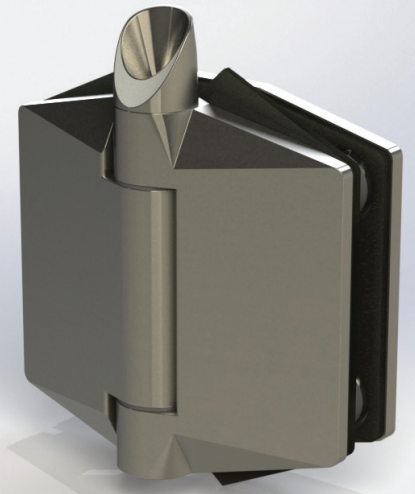


POLARIS SOFT CLOSE POOL FENCE HINGE

POLARIS 120 SERIES

NEW RELEASE

MOST INNOVATIVE
POOL FENCE HINGE
FOR THE LAST
20 YEARS



- SLEEK NEW LOOK
- IMPROVED DESIGN FEATURES INCLUDING COMMERCIAL RATED ADJUSTABLE TENSION SPRING (TEMPERED SS304) WITH 3 SPRING CLOSING SETTINGS (SOFT, MEDIUM & STRONG) & THE HIGHEST QUALITY EUROPEAN MADE DAMPENERS FOR SMOOTH, SOFT CLOSE ACTION
- THE 120 SERIES HINGE IS NOW MADE WITH DUPLEX SS2205 STAINLESS STEEL
- REVOLUTIONARY ANTI-DROP GATE PACKING SYSTEM WHICH SIGNIFICANTLY LOWERS THE CHANCE OF GATES DROPPING OR SAGGING
- FULLY COMPLIANT TO AUSTRALIAN POOL FENCING STANDARDS AS1926
- SUITABLE FOR COMMERCIAL GATE OPERATIONS
- SERVICEABILITY WITHOUT REMOVING THE HINGE FROM THE GLASS
- EASY INSTALLATION PROCESS - INSTALL GUIDE INCLUDED IN EACH BOX
- AVAILABLE IN SATIN OR POLISH FINISH
- GLASS TO GLASS, GLASS TO WALL, GLASS TO SQUARE POST* & GLASS TO ROUND POST*
*50mm posts

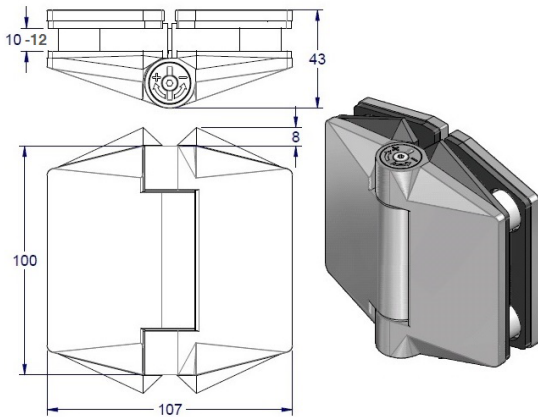
WWW.POLARISHINGE.COM

POLARIS Soft-Close Hinging Systems



UNIQUE AUSTRALIAN DESIGNED & ENGINEERED ADJUSTABLE SPEED CLOSING SYSTEM

PREMIUM SELF-CLOSING HINGE



The POLARIS Soft Close Hinge is a state-of-the-art product unrivalled in design, style, and safety. As a glass pool fence hinge it is the safest and most reliable hinge in the industry, complying with the stringent Australian Standards AS 1926 and AS 2820.

The POLARIS Soft Close Hinge was awarded a prestigious Australian International Design Mark Award™. Presented by Standards Australia, The Australian International Design Mark Awards™ is Australia's premium design assessment program. Products are judged for their innovation, visual and emotional appeal, functionality, quality of manufacturing, usability (ergonomics and safety), and environmental sustainability.

DISTRIBUTOR

Glass Vice Products Ltd
Showroom:
24C William Pickering Drive
Albany Auckalnd
Phone 09 414 6565
Email: info@glassvice.com
www.glassvice.com

