



Building Code Clause(s)...B1/VM1, B2/AS1 F2&F4

PRODUCER STATEMENT – PS1 – DESIGN

(Guidance notes on the use of this form are printed on page 2)

ISSUED BY: Lapish Enterprises Ltd

.. (Design Firm)

TO: GlassVice Products Ltd

(Owner/Developer)

TO BE SUPPLIED TO: Any BCA in New Zealand

(Building Consent Authority)

IN RESPECT OF: 1600mm x 1200mm high 6/8 (15.5) laminated glass on Clearline brackets at 800mm centres with hand rail at 900mm above the floor. Refer to plans.

(Description of Building Work)

AT: Any where in New Zealand

Any where permitted by NZBC for 1.5kN/m imposed action to occupancies in AS/NZS1170.1:2002 and maximum wind speed of 50 mps..

(Address)

..... LOT DP SO

We have been engaged by the owner/developer referred to above to provide a system to comply with NZBC B/VM1 Clauses B1 by test and calculation, B2 by use of stainless steel and glass, F2 Clause 1.1 and F4 Clauses 1.1 & 1.2 by physical examination of details of balustrades certified.

services in respect of the requirements of (Extent of Engagement)

Clause(s) B1/VM1, B2/AS1, of the Building Code for

All or Part only (as specified in the attachment to this statement), of the proposed building work.

The design carried out by us has been prepared in accordance with:

- Compliance Documents issued by the Ministry of Business, Innovation & Employment AS/NZS1170, or (verification method / acceptable solution)
- Alternative solution as per the attached schedule

The proposed building work covered by this producer statement is described on the drawings titled Glassvice Clearline Handrail

and numbered CL-12-HR

together with the specification, and other documents set out in the schedule attached to this statement.

On behalf of the Design Firm, and subject to:

(i) Site verification of the following design assumptions Support structure to comply with AS/NZS1170 by OTHERS

(ii) All proprietary products meeting their performance specification requirements;

I believe on reasonable grounds that a) the building, if constructed in accordance with the drawings, specifications, and other documents provided or listed in the attached schedule, will comply with the relevant provisions of the Building Code and that b), the persons who have undertaken the design have the necessary competency to do so. I also recommend the following level of construction monitoring/observation:

CM1 CM2 CM3 CM4 CM5 (Engineering Categories) or as per agreement with owner/developer (Architectural)

I, ...Ernest B Lapish am: (Name of Design Professional)

CPEng ...5078.....#

Reg Arch #



I am a Member of : IPENZ NZIA and hold the following qualifications: MICE
 FIPENZ.....

The Design Firm issuing this statement holds a current policy of Professional Indemnity Insurance no less than \$200,000*.

The Design Firm is a member of ACENZ:

SIGNED BY ... Ernest B Lapish
 . ON BEHALF OF Lapish Enterprises Ltd

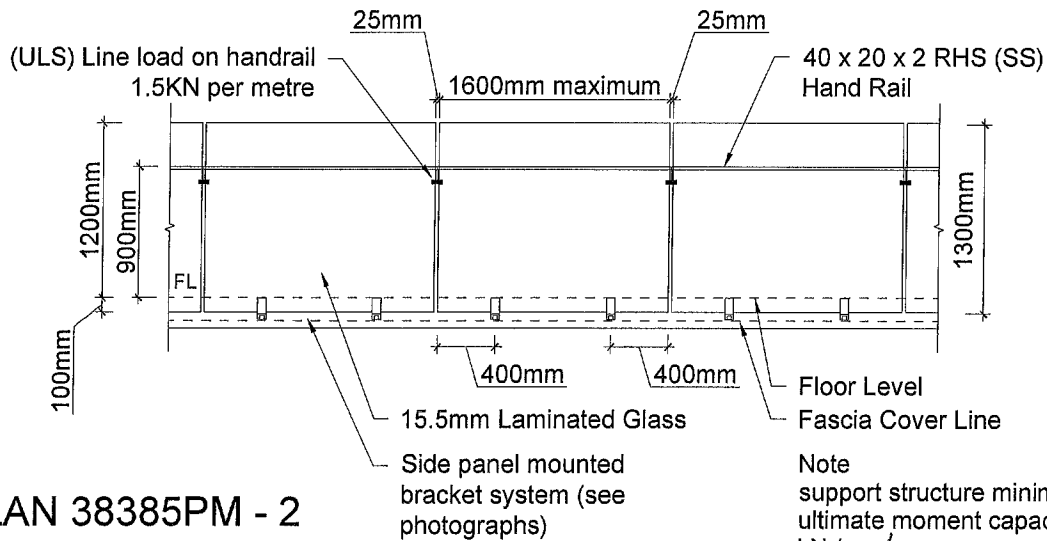
(Design Firm)

Date... 18.05.17 (signature).....

Note: This statement shall only be relied upon by the Building Consent Authority named above. Liability under this statement accrues to the Design Firm only. The total maximum amount of damages payable arising from this statement and all other statements provided to the Building Consent Authority in relation to this building work, whether in contract, tort or otherwise (including negligence), is limited to the sum of \$200,000.*

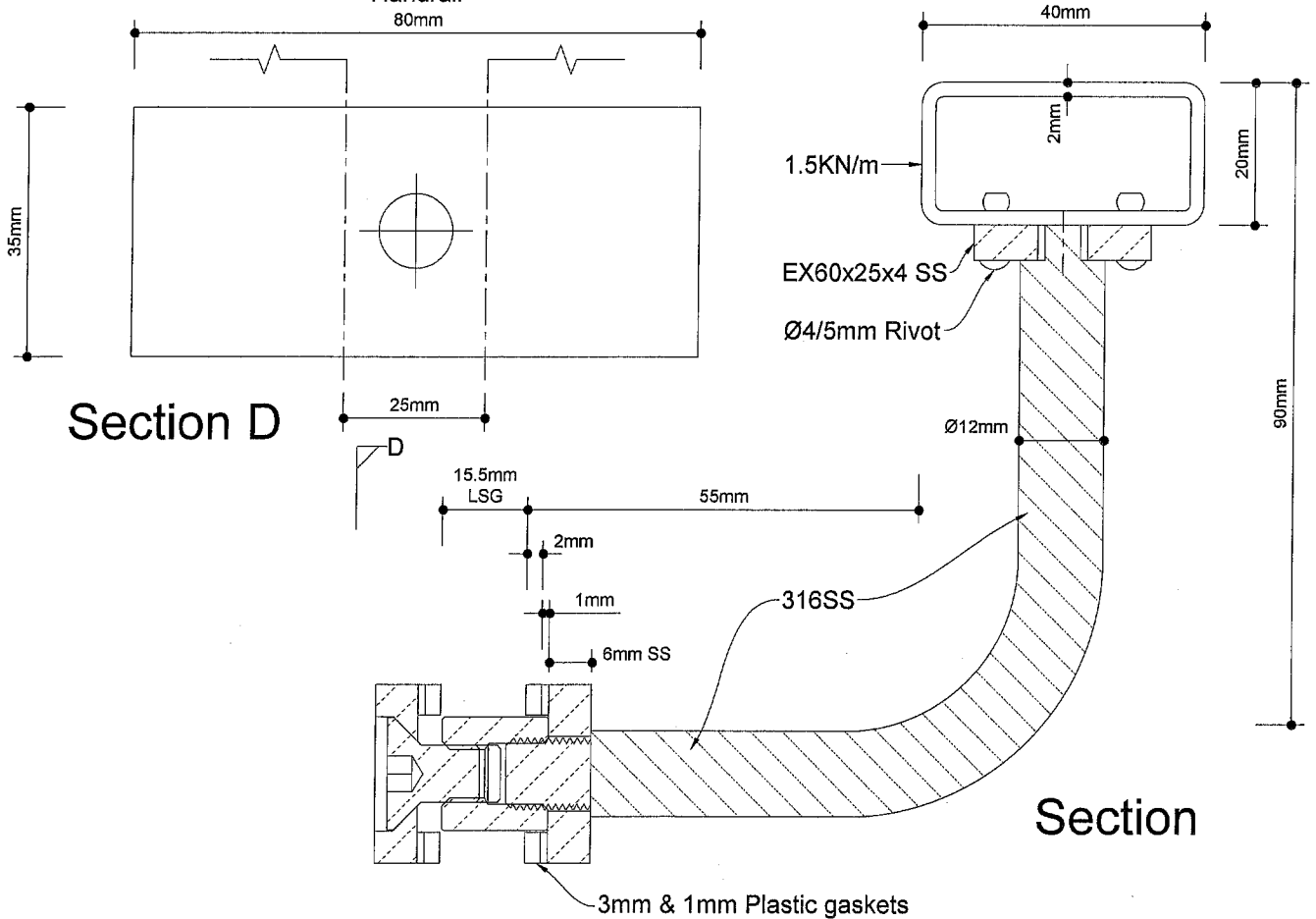
This form is to accompany **Form 2 of the Building (Forms) Regulations 2004** for the application of a Building Consent.

THIS FORM AND ITS CONDITIONS ARE COPYRIGHT TO ACENZ, IPENZ AND NZIA



PLAN 38385PM - 2

1.5KN/m Imposed Action
15.5mm Laminated Safety Glass Balustrade and 40 x 20 x 2 RHS
Handrail



© 2013. The copyright of this document is the property of Glass Vice Limited and shall not be reproduced, copied, loaned or disposed of directly, or indirectly, nor used for any purpose other than that for which it is specifically furnished without prior consent.

All dimensions in millimetres



Glass Vice® Clearline® - Handrail
 NZBC B1/VMI Clause 2.2.7
 AS/NZS 1170 Part 1 Clause 3.6

Date: May, 2017
 Scale: Scale ###

www.glassvice.com
 Phone +64 9 414 6565
 info@glassvice.com

Quick Code:

CL-12-HR

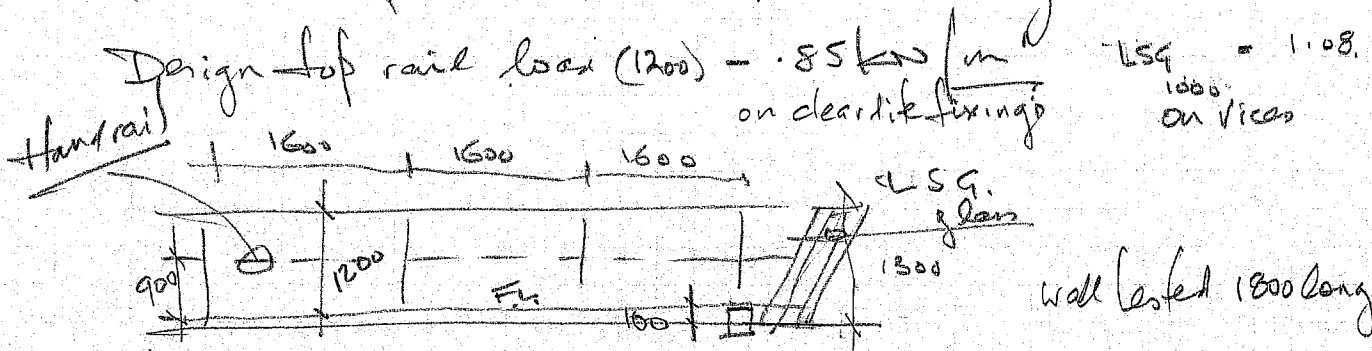
LAPISH ENTERPRISES LTD
 84 STAMFORD PARK ROAD
 MT ROSKILL, AUCKLAND 1041
 NEW ZEALAND
 PHONE: 09 625 4823
 09 625 5085
 MOB: 021 795 004
 E: e.lapish@xtra.co.nz

Glass Vices. 1600 x 1300 clear lime
 15.5mm laminated glass with hand
 rail - side fixed

examine to see if top rail will take 1.5 kN/m e/c
 check capacity - 1.5 kN/m. with inclusion of handrail

tests on laminated glass. (1600 x 1600 x 15.5 LSG,
 = tt. t

test at failure 265, 271 & 290 kg.



Approx strength without hand rail = $\frac{1.18}{1.6} \times 0.85 = 0.956$ kN/m

with hand rail load shared between 3 panels
 see attached tests. If one panel breaks
 then handrail supported by adjacent two panels

MBIE
 Guidance
 on Barrier
 Design
 2012

$\frac{1}{2} F = 1.5$
 (F) equivalent on handrail = $0.956 \times \frac{1.12}{1.9} = 1.27 / 1.5$
 (F/2) at top of glass = $\frac{1.5}{2} \times 0.85 = 0.63 / 0.75$

From previous tests on 15 TSC, with
 3 panel & handrail. Min test load 3.11 kN/m < 1.5

Note:
 Areas susceptible to
 over crowding

Depth measured + to barrier	3.4	2.3	1.07
min horiz. Top edge load	3 kN/m	2 kN/m	1.5 kN/m