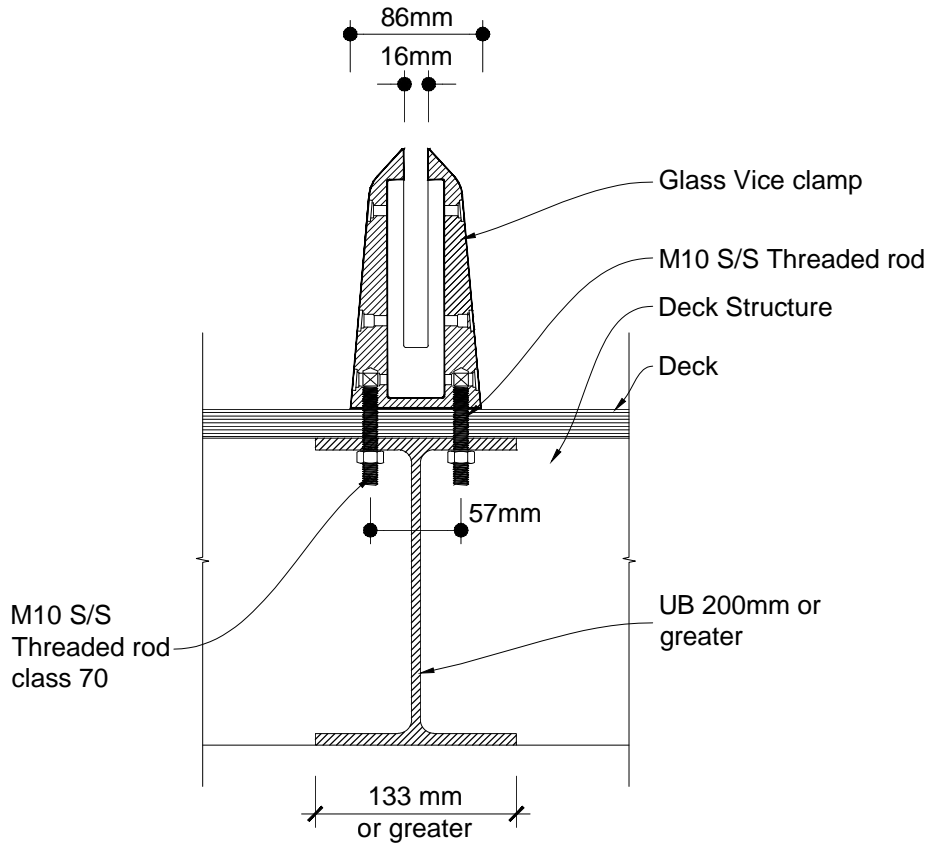


Maximum spacing of vices (mm)

Line Load kN/m	Height Balustrade (mm)	
	1000	1100
0.75	1850	1680
1.5	930	850



Steel members to be designed by Engineer CPEng. Spacing limited by glass capacity - refer to PS1 certificates