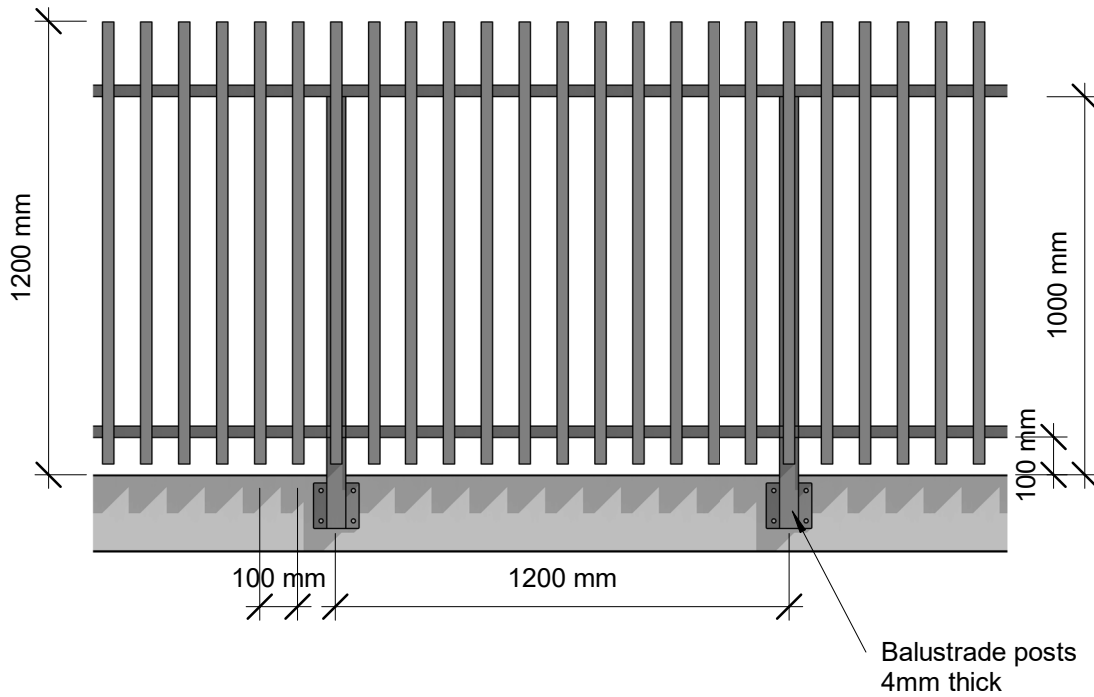


Plan



Elevation

14 Jun 2019 13:49

© 2019. The copyright of this document is the property of Glass Vice Limited and shall not be reproduced, copied, loaned or disposed of directly, or indirectly, nor used for any purpose other than that for which it is specifically furnished without prior consent.

All dimensions in millimetres



Vertical Battens

1200mm High Face Fixed

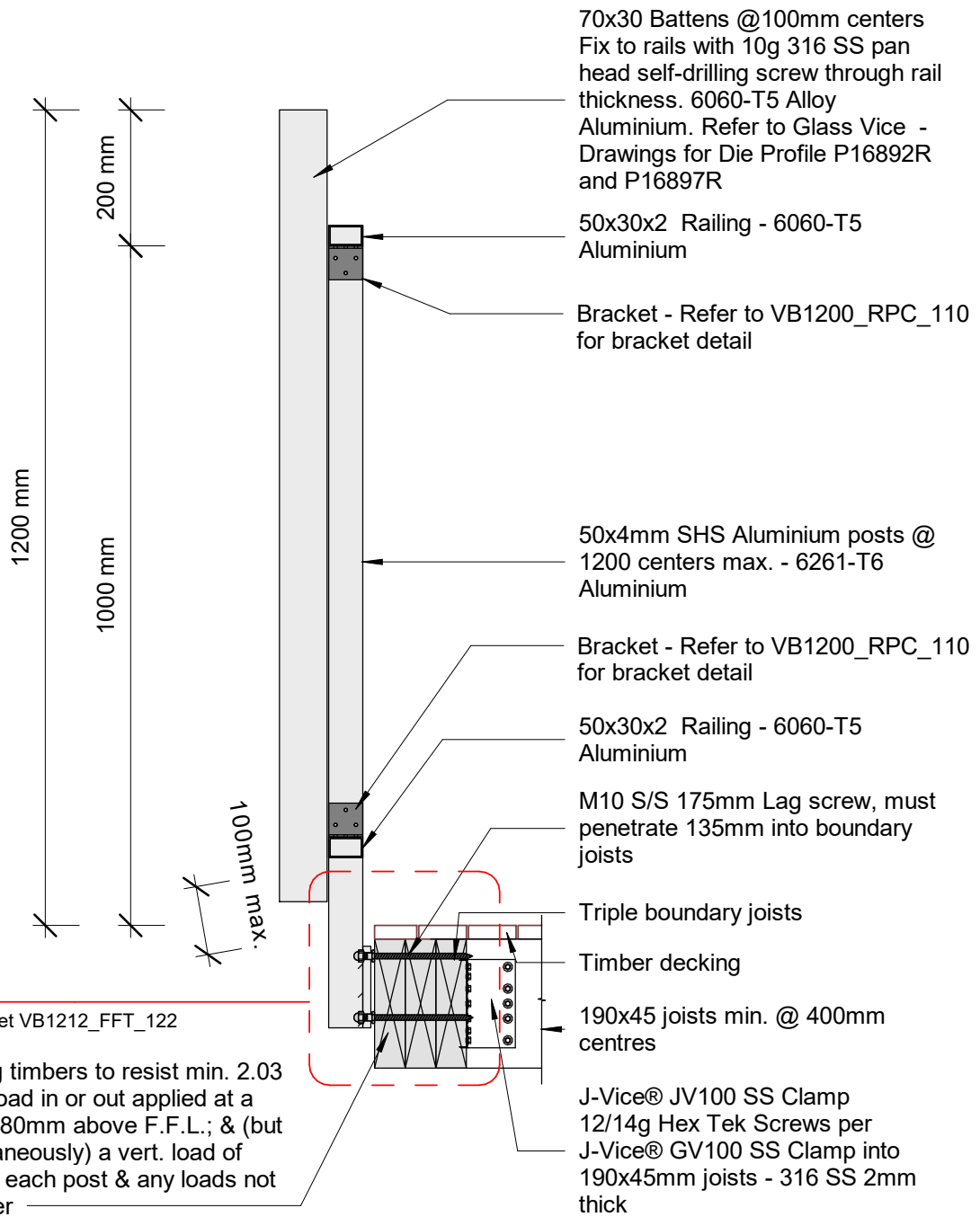
Elevation - Face Fix 1.2M Residential Barrier - 200 Top Rail

Date: 10 April 2019
Scale: 1 : 20

Issue 01

www.glassvice.com
Phone +64 9 414 6565
info@glassvice.com

VB1212_112



14 Jun 2019 13:49

© 2019. The copyright of this document is the property of Glass Vice Limited and shall not be reproduced, copied, loaned or disposed of directly, or indirectly, nor used for any purpose other than that for which it is specifically furnished without prior consent.

All dimensions in millimetres

**GLASS
VICE**

Vertical Battens

1200mm High Face Fixed

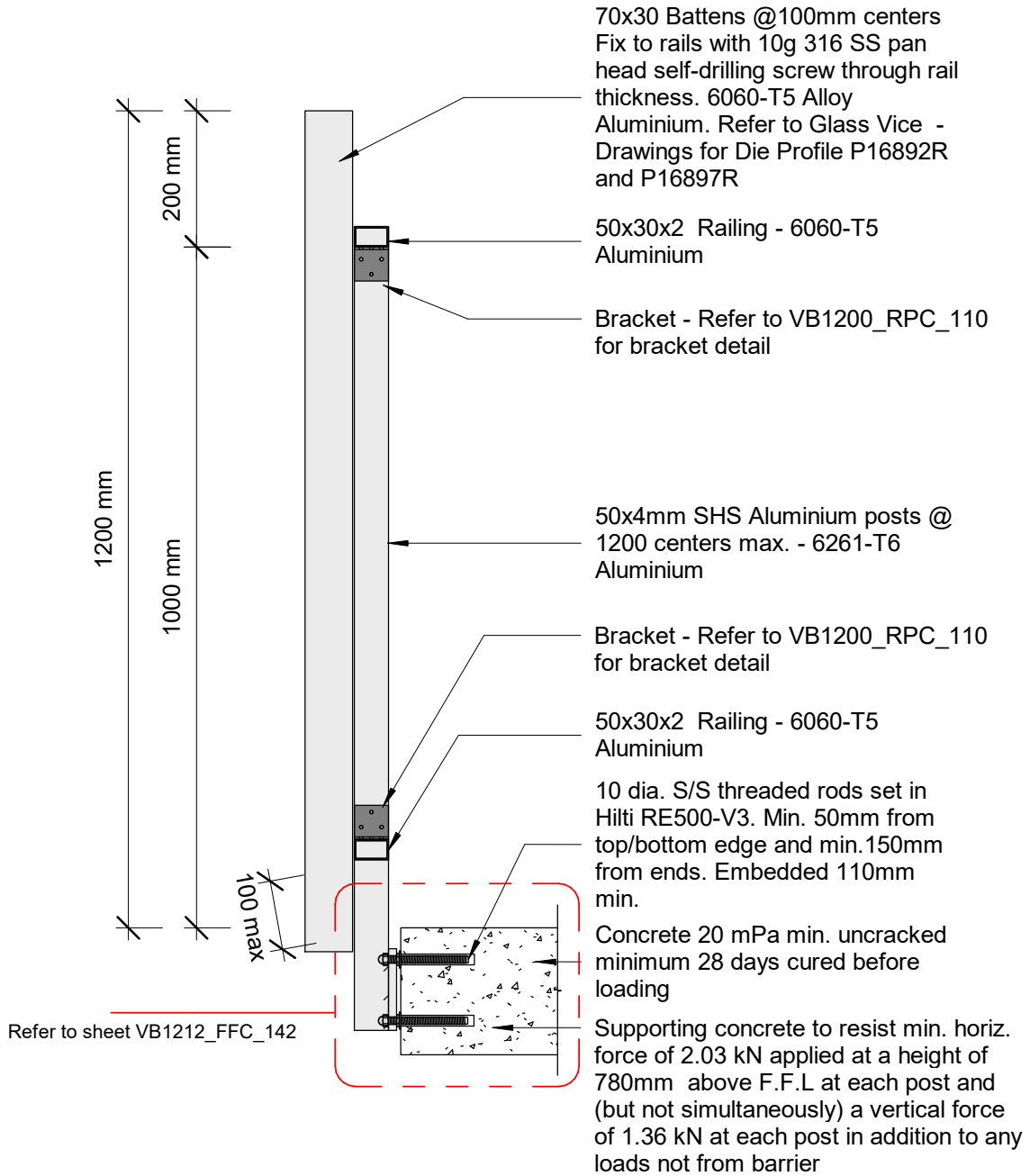
Section - Face Fix Triple Joist 190 1.2M Residential Barrier - 200 Top Rail

Date: 10 April 2019
Scale: 1 : 10

www.glassvice.com
Phone +64 9 414 6565
info@glassvice.com

Issue 01

VB1212_165



14 Jun 2019 13:49

© 2019. The copyright of this document is the property of Glass Vice Limited and shall not be reproduced, copied, loaned or disposed of directly, or indirectly, nor used for any purpose other than that for which it is specifically furnished without prior consent.

All dimensions in millimetres

GLASS
VICE®

Vertical Battens

1200mm High Face Fixed into Concrete

Section - Face Fix Concrete 1.2M Residential Barrier - 200 Top Rail

Date: 10 April 2019

Scale: 1 : 10

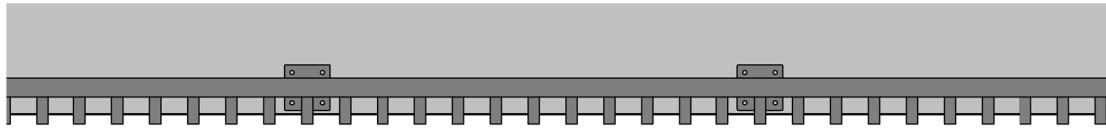
Issue 01

www.glassvice.com

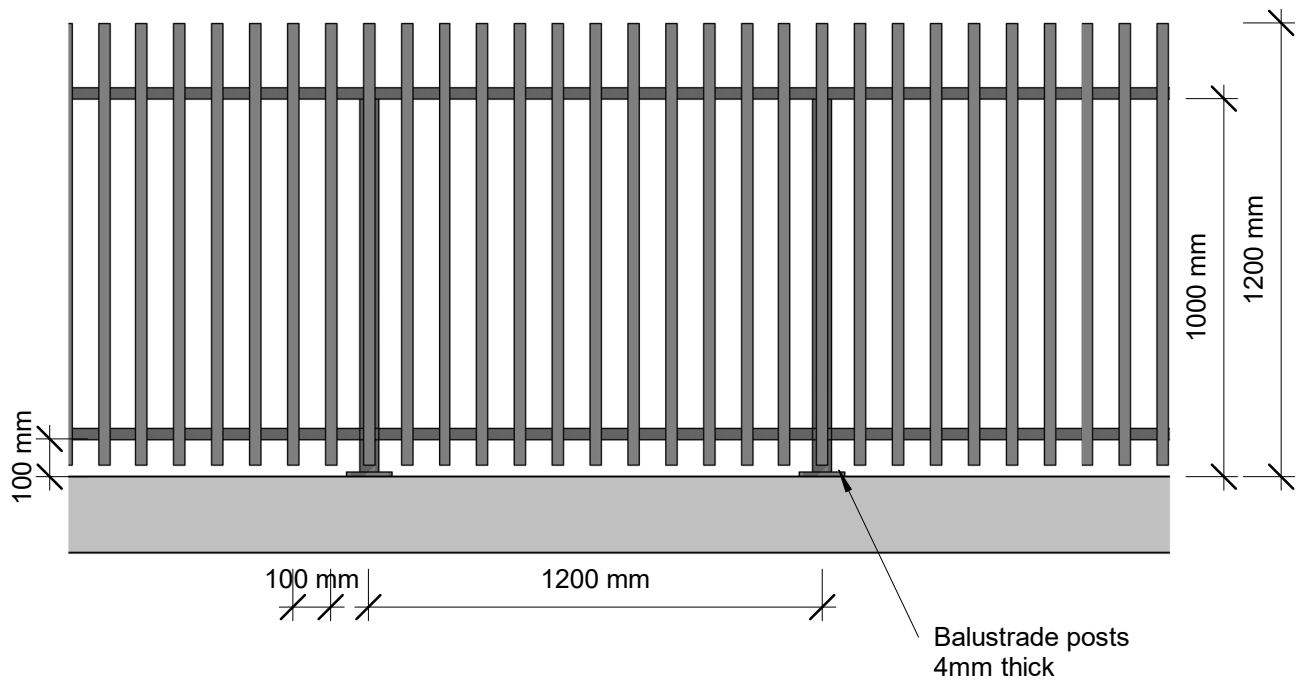
Phone +64 9 414 6565

info@glassvice.com

VB1212_190



Plan



Elevation

14 Jun 2019 13:49

© 2019. The copyright of this document is the property of Glass Vice Limited and shall not be reproduced, copied, loaned or disposed of directly, or indirectly, nor used for any purpose other than that for which it is specifically furnished without prior consent.

All dimensions in millimetres



Vertical Battens

1200mm High Top Fixed

Elevation - Top Fix 1.2M Residential Barrier - 200 Top Rail

Date: 10 April 2019

Scale: 1 : 20

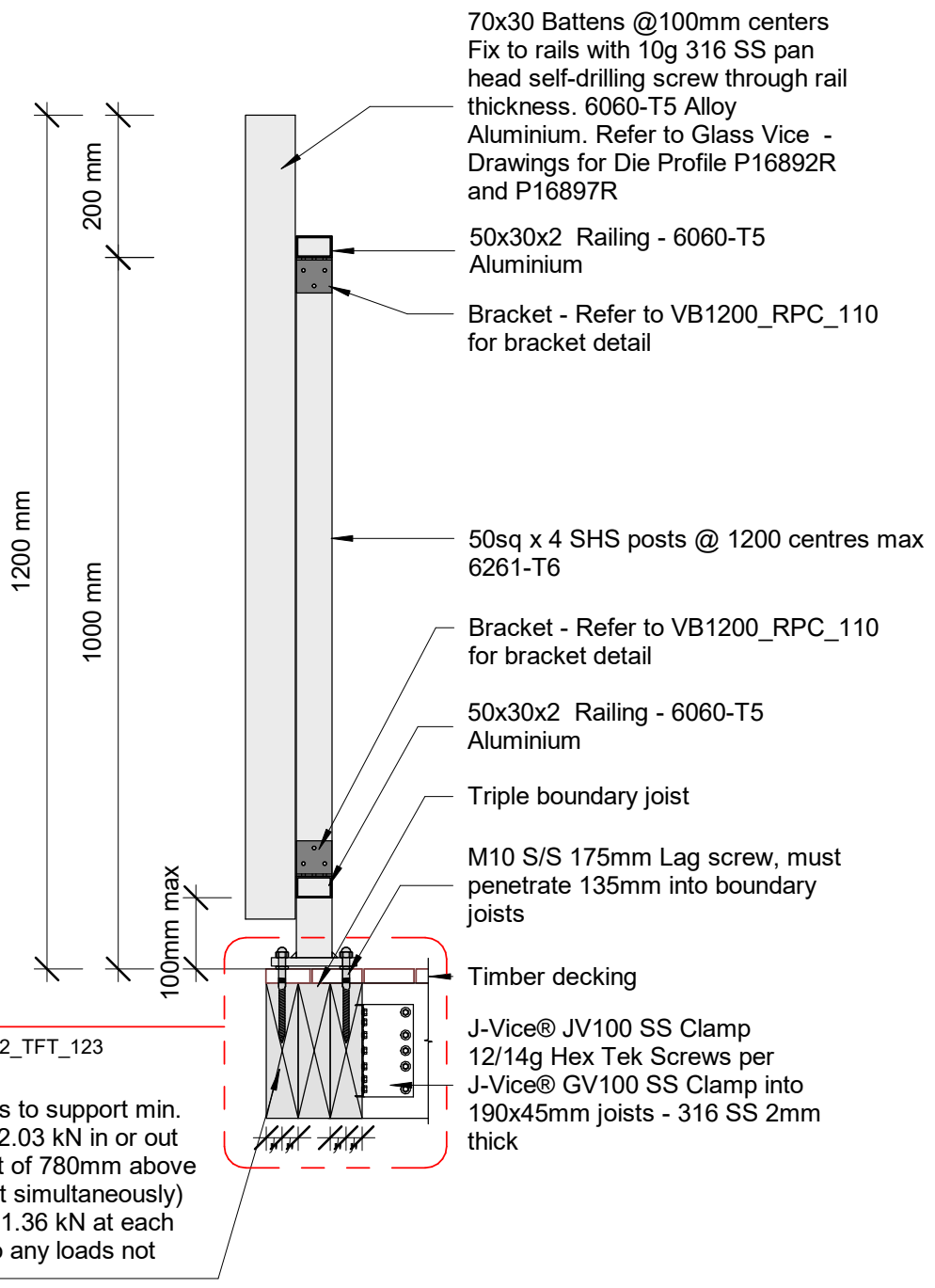
Issue 01

www.glassvice.com

Phone +64 9 414 6565

info@glassvice.com

VB1212_220



14 Jun 2019 13:49

© 2019. The copyright of this document is the property of Glass Vice Limited and shall not be reproduced, copied, loaned or disposed of directly, or indirectly, nor used for any purpose other than that for which it is specifically furnished without prior consent.

All dimensions in millimetres



Vertical Battens

1200mm High Top Fixed into Timber

Section - Top Fix 190 Triple Joist 1.2M Residential Barrier - 200 Top Rail

Date: 10 April 2019

Scale: 1 : 10

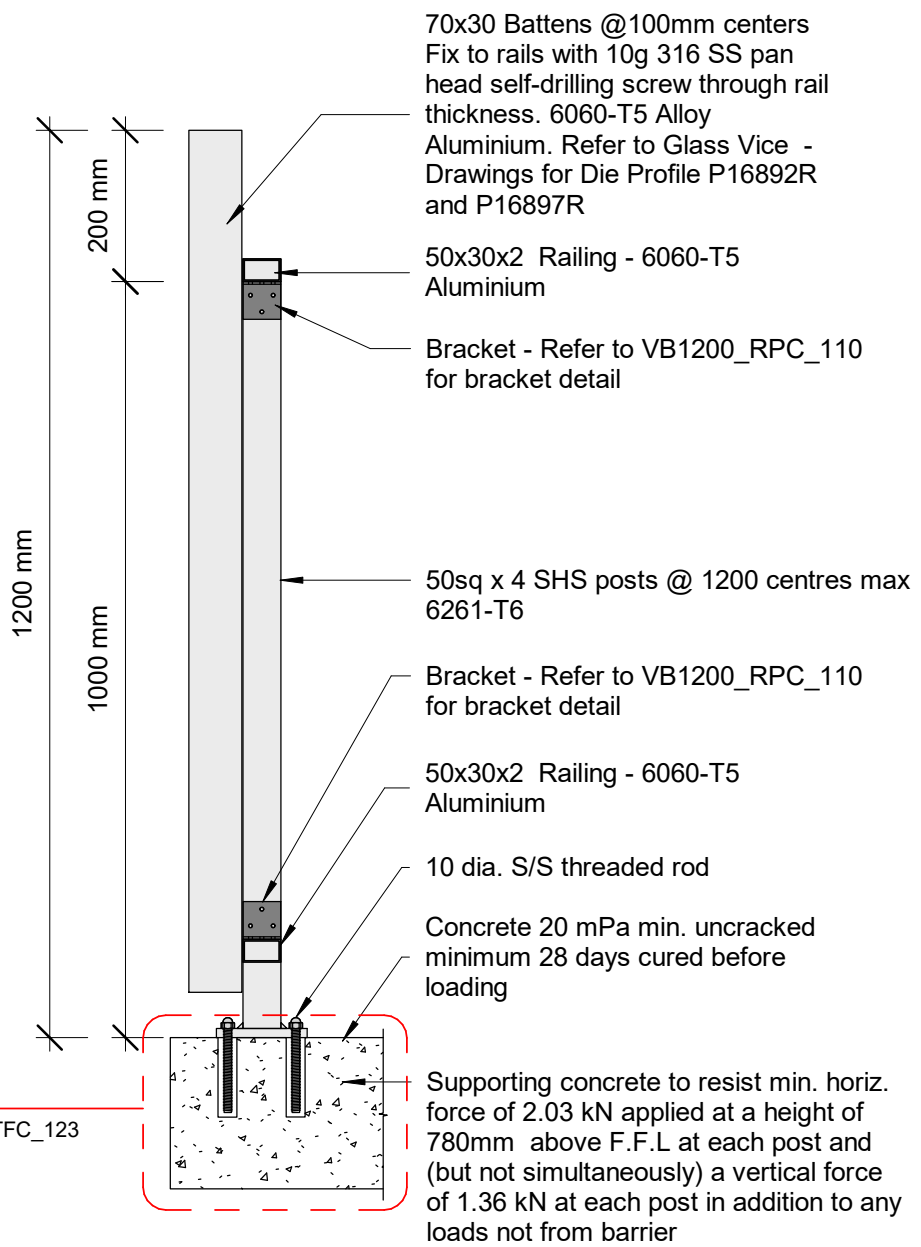
Issue 01

www.glassvice.com

Phone +64 9 414 6565

info@glassvice.com

VB1212_240



Refer to sheet VB1212_TFC_123

70x30 Battens @100mm centers
 Fix to rails with 10g 316 SS pan
 head self-drilling screw through rail
 thickness. 6060-T5 Alloy
 Aluminium. Refer to Glass Vice -
 Drawings for Die Profile P16892R
 and P16897R

50x30x2 Railing - 6060-T5
 Aluminium

Bracket - Refer to VB1200_RPC_110
 for bracket detail

50sq x 4 SHS posts @ 1200 centres max
 6261-T6

Bracket - Refer to VB1200_RPC_110
 for bracket detail

50x30x2 Railing - 6060-T5
 Aluminium

10 dia. S/S threaded rod

Concrete 20 mPa min. uncracked
 minimum 28 days cured before
 loading

Supporting concrete to resist min. horiz.
 force of 2.03 kN applied at a height of
 780mm above F.F.L at each post and
 (but not simultaneously) a vertical force
 of 1.36 kN at each post in addition to any
 loads not from barrier

14 Jun 2019 13:49

© 2019. The copyright of this document is the property of Glass Vice Limited and shall not be reproduced, copied, loaned or disposed of directly, or indirectly, nor used for any purpose other than that for which it is specifically furnished without prior consent.

All dimensions in millimetres



Vertical Battens

1200mm High Top Fixed into Concrete

Section - Top Fix Concrete 1.2M Residential Barrier - 200 Top Rail

Date: 10 April 2019
 Scale: 1 : 10
 Issue 01

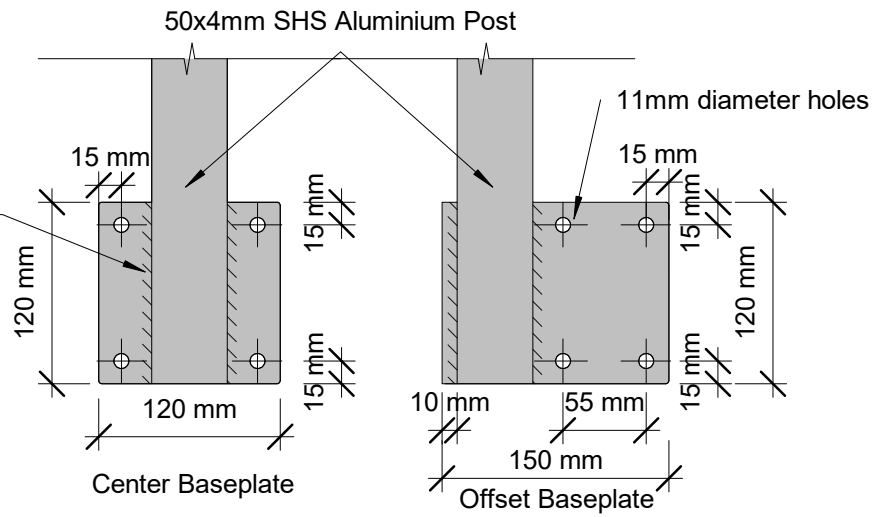
www.glassvice.com
 Phone +64 9 414 6565
 info@glassvice.com

VB1212_250

12mm Baseplate - 5083-H321,
H116 Alloy Aluminium 120mm long
6mm fillet weld (leg size, equal)
each side of post with 5356 alloy

Note:

Supporting concrete to resist min. horiz.
force of 2.03 kN applied at a height of
780mm above F.F.L at each post and
(but not simultaneously) a vertical force
of 1.36 kN at each post in addition to any
loads not from barrier



50x4mm SHS Aluminium posts @
1200 centers max. - 6261-T6
Aluminium vb1212

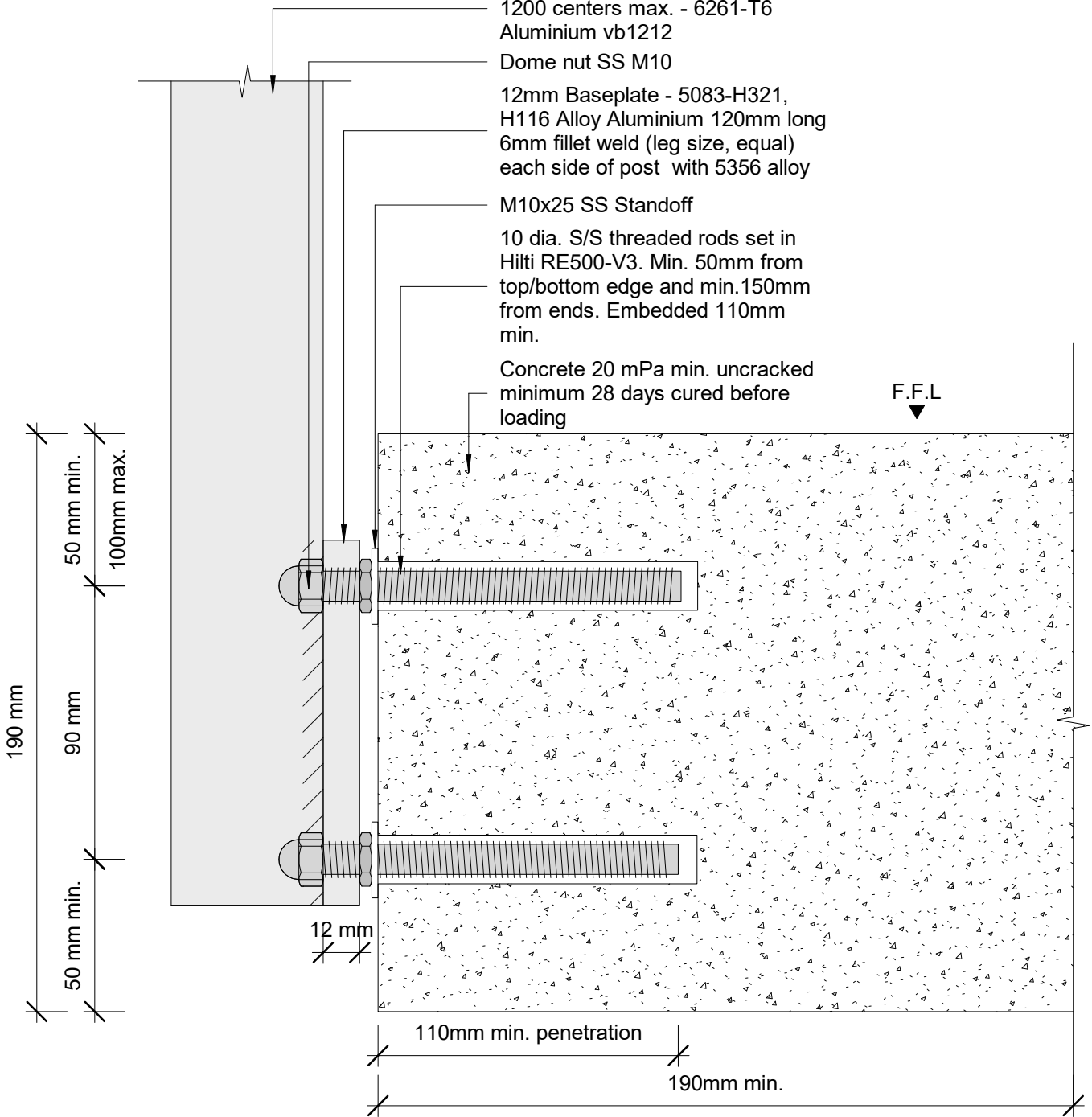
Dome nut SS M10

12mm Baseplate - 5083-H321,
H116 Alloy Aluminium 120mm long
6mm fillet weld (leg size, equal)
each side of post with 5356 alloy

M10x25 SS Standoff

10 dia. S/S threaded rods set in
Hilti RE500-V3. Min. 50mm from
top/bottom edge and min. 150mm
from ends. Embedded 110mm
min.

Concrete 20 mPa min. uncracked
minimum 28 days cured before
loading



14 Jun 2019 13:49

© 2019. The copyright of this document is the property of Glass Vice Limited and shall not be reproduced, copied, loaned or disposed of directly, or indirectly, nor used for any purpose other than that for which it is specifically furnished without prior consent.

All dimensions in millimetres



Vertical Battens

1200mm High Face Fixed into Concrete

Detail - Face Fix Concrete 1.2M Residential Barrier - 200 Top Rail

Date: 10 April 2019

Scale: As indicated

Issue 01

www.glassvice.com

Phone +64 9 414 6565

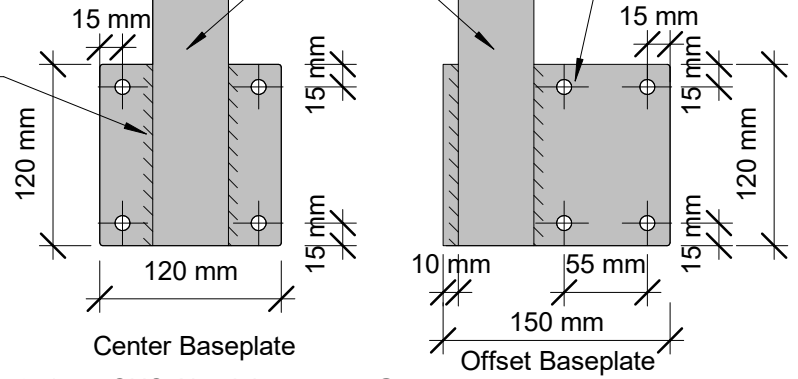
info@glassvice.com

VB1212_FFC_142

12mm Baseplate - 5083-H321,
H116 Alloy Aluminium 120mm long
6mm fillet weld (leg size, equal)
each side of post with 5356 alloy

50x4mm SHS Aluminium Post

11mm diameter holes



Center Baseplate
50x4mm SHS Aluminium posts @
1200 centers max. - 6261-T6
Aluminium vb1212
Dome nut SS M10

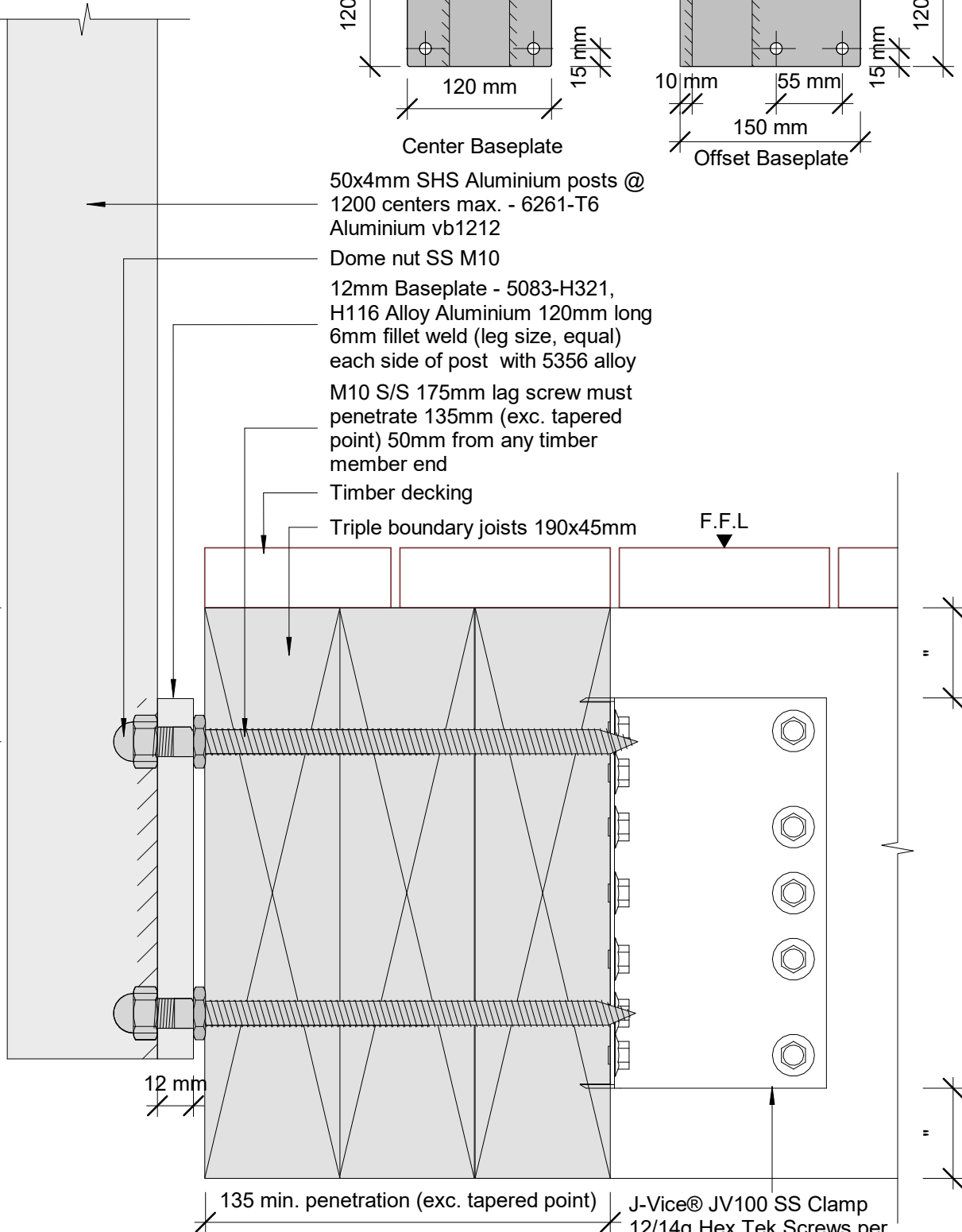
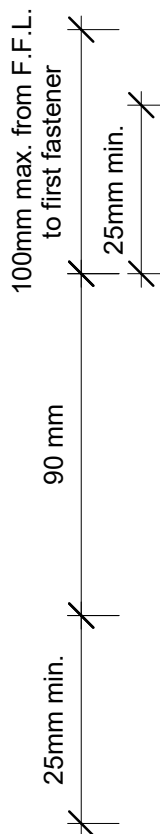
12mm Baseplate - 5083-H321,
H116 Alloy Aluminium 120mm long
6mm fillet weld (leg size, equal)
each side of post with 5356 alloy

M10 S/S 175mm lag screw must
penetrate 135mm (exc. tapered
point) 50mm from any timber
member end

Timber decking

Triple boundary joists 190x45mm

F.F.L.



135 min. penetration (exc. tapered point)

J-Vice® JV100 SS Clamp
12/14g Hex Tek Screws per
J-Vice® GV100 SS Clamp into
190x45mm joists - 316 SS 2mm
thick

14 Jun 2019 13:49

© 2019. The copyright of this document is the property of Glass Vice Limited and shall not be reproduced, copied, loaned or disposed of directly, or indirectly, nor used for any purpose other than that for which it is specifically furnished without prior consent.

All dimensions in millimetres



Vertical Battens

1200mm High Face Fixed into Timber

Detail - Face Fix 190 Triple Joist 1.2M Residential Barrier - 200 Top Rail

Date: 10 April 2019

Scale: As indicated

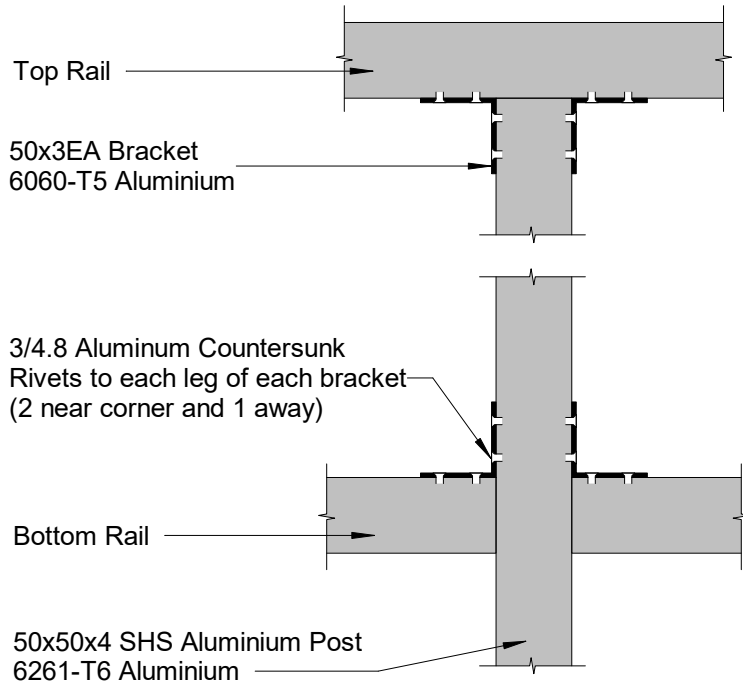
Issue 01

www.glassvice.com

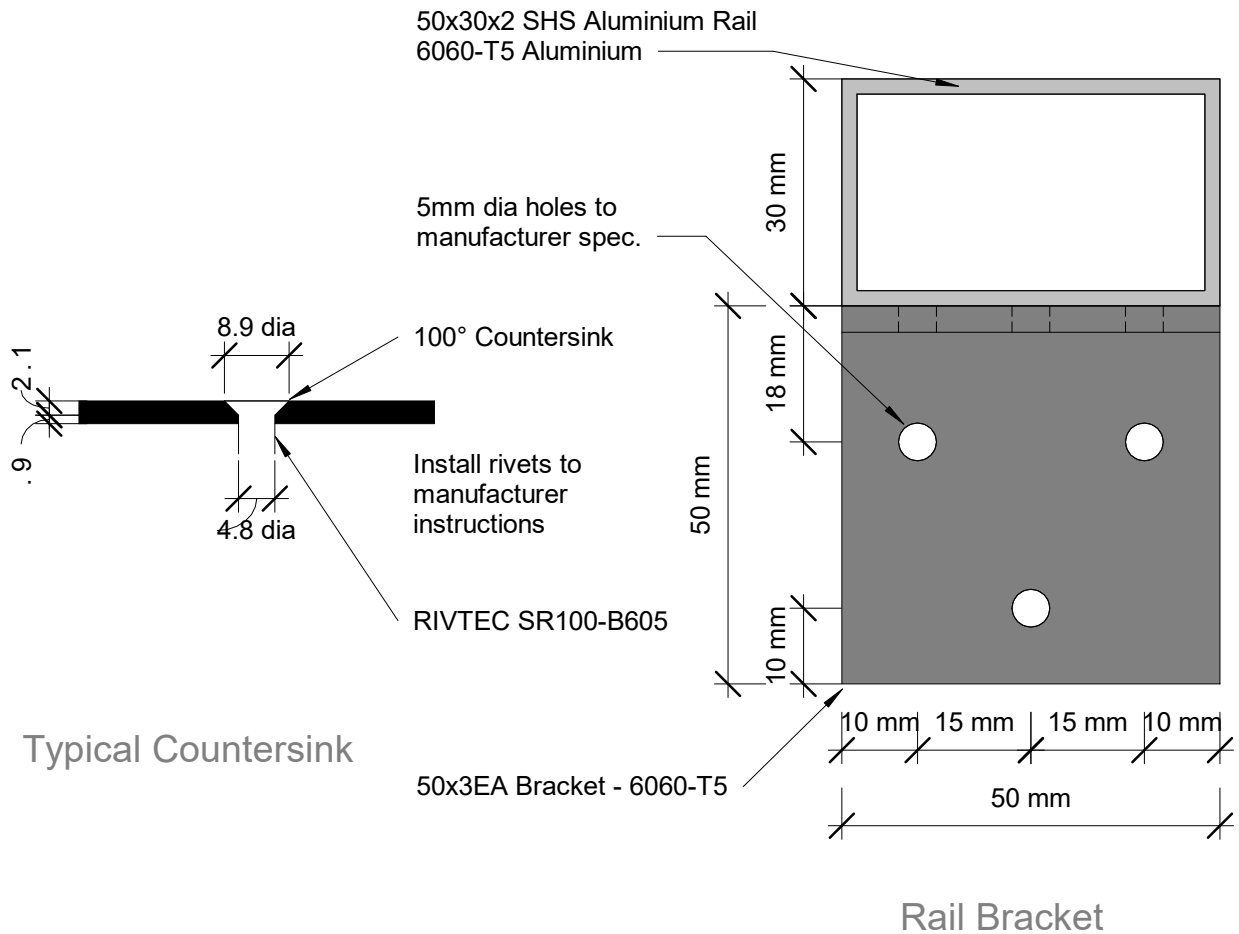
Phone +64 9 414 6565

info@glassvice.com

VB1212_FFT_122



Rail - Post Connection



14 Jun 2019 13:49

© 2019. The copyright of this document is the property of Glass Vice Limited and shall not be reproduced, copied, loaned or disposed of directly, or indirectly, nor used for any purpose other than that for which it is specifically furnished without prior consent.

All dimensions in millimetres



Vertical Battens
Top/Side Fix 1200mm
Detail - Rail - Post Connection

Date: 10 April 2019

Scale: As indicated

Issue 01

www.glassvice.com

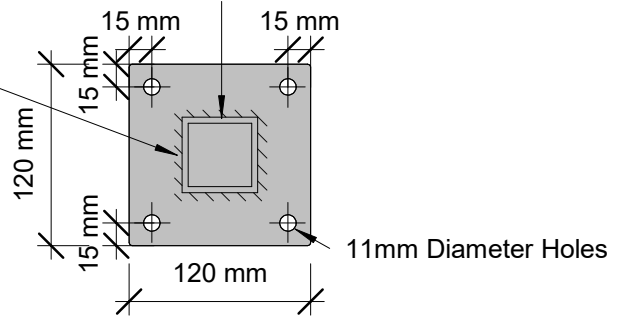
Phone +64 9 414 6565

info@glassvice.com

VB1212_RPC_110

50x50x4mm SHS Aluminium Post

12mm Plate - 5083, H321, H116
Alloy Aluminium. 8mm F.W.A.R.
5356 Filler Alloy weld



Note:

Supporting concrete to resist min. horiz. force of 2.03 kN applied at a height of 780mm above F.F.L at each post and (but not simultaneously) a vertical force of 1.36 kN at each post in addition to any loads not from barrier

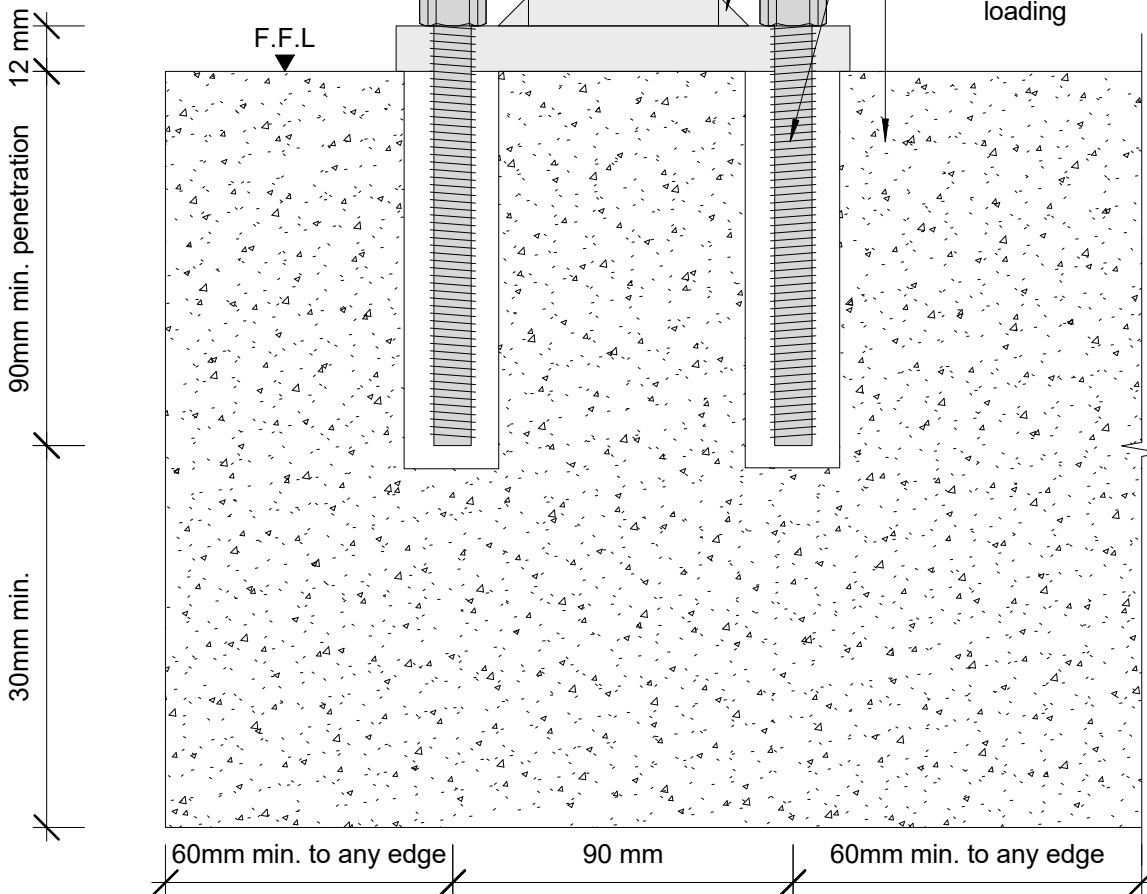
50sq x 4mm SHS Aluminium posts @ 1200 centers max. - 6261-T6

12mm Plate - 5083, H321, H116 Alloy Aluminium. 8mm F.W.A.R. 5356 Filler Alloy weld

Dome nut

10 dia. S/S Threaded Rods set in Hilti RE500 min. 150mm from an end. Embed min. 90mm

Concrete 20 mPa min. uncracked minimum 28 days cured before loading



14 Jun 2019 13:49

© 2019. The copyright of this document is the property of Glass Vice Limited and shall not be reproduced, copied, loaned or disposed of directly, or indirectly, nor used for any purpose other than that for which it is specifically furnished without prior consent.

All dimensions in millimetres

GLASS VICE

Vertical Battens

1200mm High Top Fixed into Concrete

Detail - Top Fix Concrete 1.2M Residential Barrier - 200 Top Rail

Date: 10 April 2019

Scale: As indicated

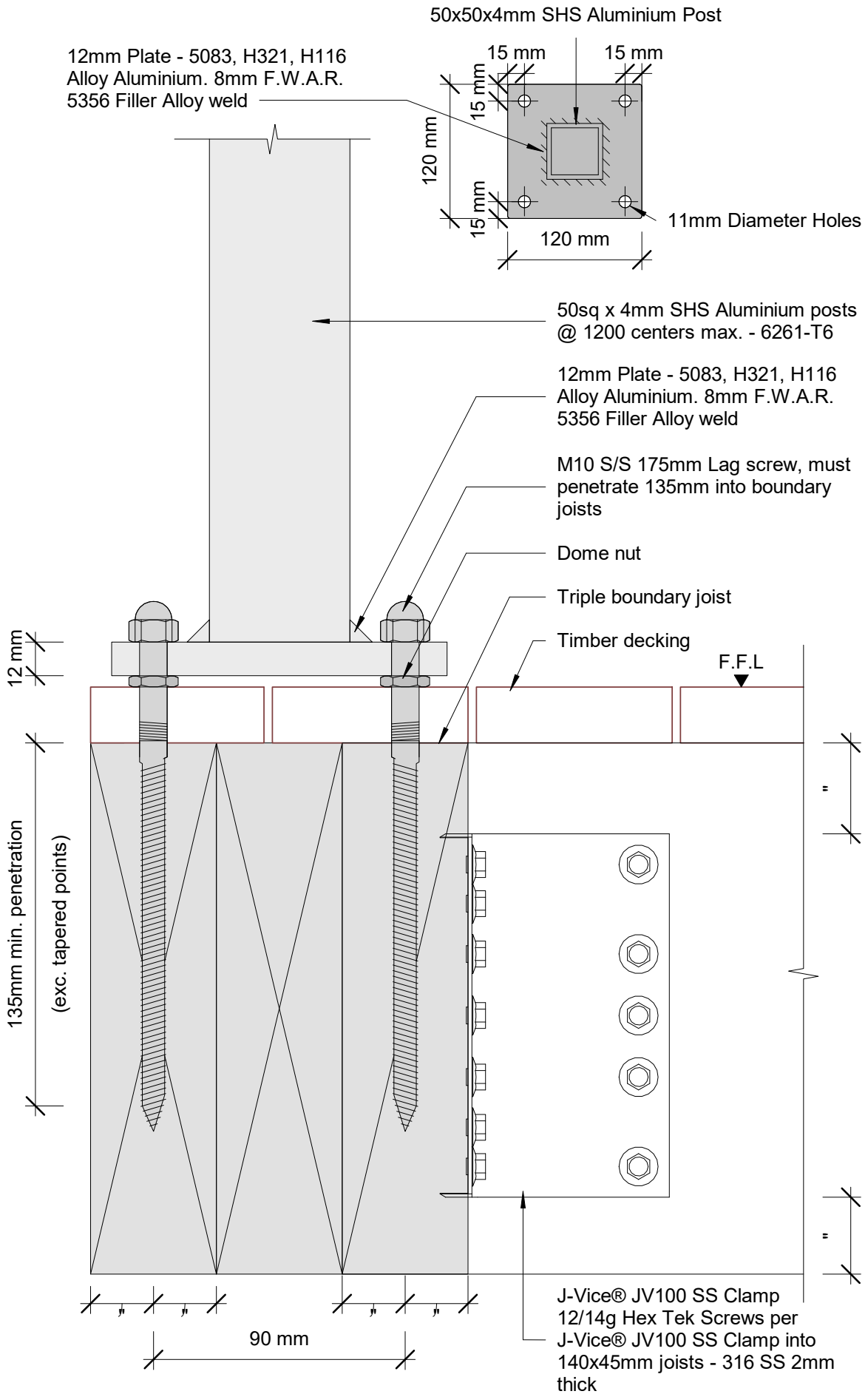
Issue 01

www.glassvice.com

Phone +64 9 414 6565

info@glassvice.com

VB1212_TFC_123



14 Jun 2019 13:49

© 2019. The copyright of this document is the property of Glass Vice Limited and shall not be reproduced, copied, loaned or disposed of directly, or indirectly, nor used for any purpose other than that for which it is specifically furnished without prior consent.

All dimensions in millimetres



Vertical Battens

1200mm High Top Fixed into Timber

Detail - Top Fix 140 Triple Joist 1.2M Residential Barrier - 200 Top Rail

Date: 10 April 2019
Scale: As indicated

www.glassvice.com
Phone +64 9 414 6565
info@glassvice.com

Issue 01

VB1212_TFT_123