

Sheet Number	Sheet Name	Application
SF100	Detail Index	Semi Frameless
SF101	Concrete	Semi Frameless Side Fixed Balustrade/Fence - Fixing Details
SF102	Double joist 140	Semi Frameless Side Fixed Balustrade/Fence - Fixing Details
SF103	Double joist 190	Semi Frameless Side Fixed Balustrade/Fence - Fixing Details
SF104	Double joist 190 Standoff	Semi Frameless Side Fixed Balustrade/Fence - Fixing Details
SF105	Steel Beam	Semi Frameless Side Fixed Balustrade/Fence - Fixing Details
SF133	Fixing Mid Posts and Plates	Semi Frameless Side Fixed Balustrade/Fence - Fixing Details
SF134	Fixing End Posts and Plates	Semi Frameless Side Fixed Balustrade/Fence - Fixing Details
SF135	Handrail Profile	Semi Frameless Balustrade/Fence - Fixing Details
SF136	Elevation View - Side Fixed	Balustrade & Pool Fence - 1200x1200 high with top rail and three side support
SL004	Section Detail - Side Fixed	Balustrade & Pool Fence - 1200x1200 high with top rail and three side support
SL005	Elevation View - Side Fixed	Balustrade - 1400mm post centres by 1000mm high with top rail
SL007	Section Detail - Side Fixed	Balustrade - 1400mm post centres by 1000mm high with top rail
ST210	Top Fix Concrete	Balustrade/Fence - Fixing Details
ST220	Top Fix Timber	Balustrade/Fence - Fixing Details
ST230	Top Fix Steel Beam	Balustrade/Fence - Fixing Details
ST240	Fixing Posts and Plates - Top Fixed	Balustrade/Fence - Fixing Details
ST250	Elevation View - Top Fixed	Balustrade - 1400mm post centres by 1000mm high with top rail
ST270	Section - Top Fixed	Balustrade - 1400mm post centres by 1000mm high with top rail
ST280	Elevation - Top Fixed	Balustrade & Pool Fence - 1200x1200 high with top rail and three side support
ST290	Section - Top Fixed	Balustrade & Pool Fence - 1200x1200 high with top rail and three side support
ST300	Elevation View - Top Fixed	Balustrade & Pool Fence - 1200x1200 high with top rail and three side support
ST310	Section Detail - Top Fixed	Balustrade & Pool Fence - 1200x1200 high with top rail and three side support



Southern Lites® Aluminium Slat Screen

Semi Frameless
Detail Index

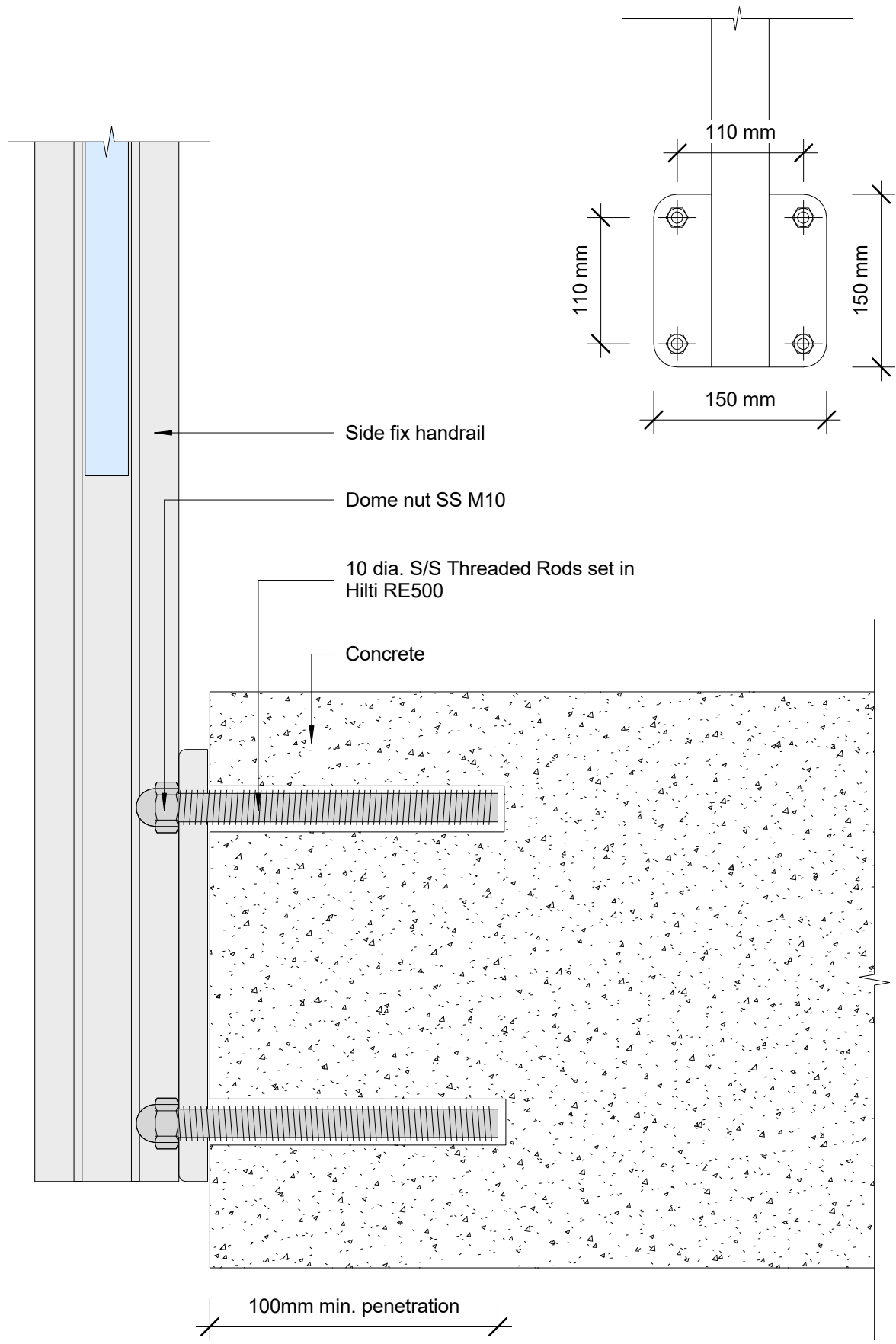
Date: 24/07/07
Scale:

Issue 01a

Quick Code:

www.glassvice.com
Phone +64 9 414 6565
info@glassvice.com

SF100



Concrete

© 2017. The copyright of this document is the property of Glass Vice Limited and shall not be reproduced, copied, loaned or disposed of directly, or indirectly, nor used for any purpose other than that for which it is specifically furnished without prior consent.

southernlites_slats_ps1.rvt
All dimensions in millimetres

Southern Lites® Aluminium Slat Screen

Date: 24/07/17
Scale: As indicated

www.glassvice.com
Phone +64 9 414 6565
info@glassvice.com

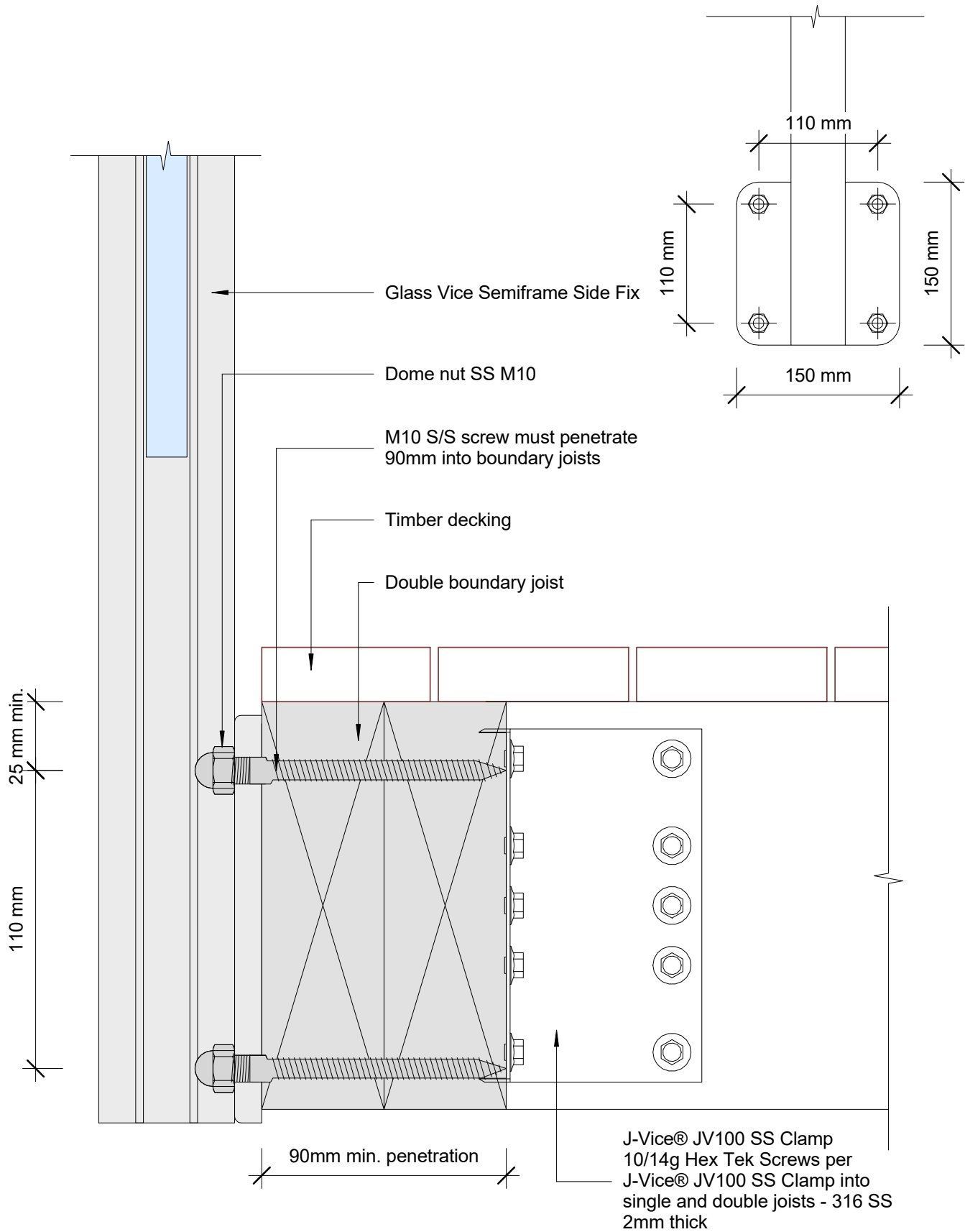


Semi Frameless Side Fixed Balustrade/Fence - Fixing Details
Concrete

Issue 01a

Quick Code:

SF101



Timber

© 2017. The copyright of this document is the property of Glass Vice Limited and shall not be reproduced, copied, loaned or disposed of directly, or indirectly, nor used for any purpose other than that for which it is specifically furnished without prior consent.

southernlites_slats_ps1.rvt
All dimensions in millimetres

Southern Lites® Aluminium Slat Screen

Date: 24/07/17
Scale: As indicated

www.glassvice.com
Phone +64 9 414 6565
info@glassvice.com

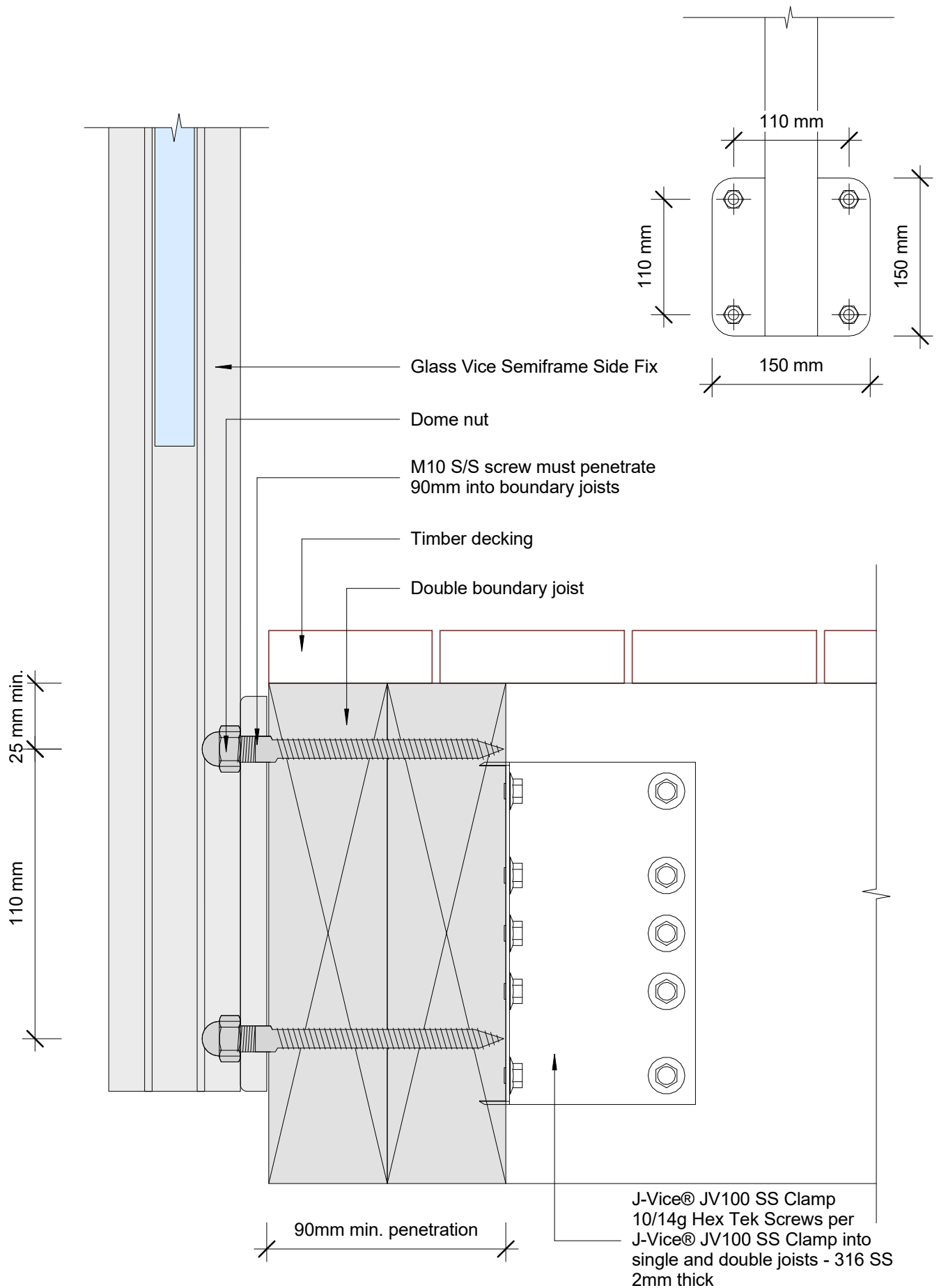


Semi Frameless Side Fixed Balustrade/Fence - Fixing Details
Double joist 140

Issue 01a

Quick Code:

SF102



© 2017. The copyright of this document is the property of Glass Vice Limited and shall not be reproduced, copied, loaned or disposed of directly, or indirectly, nor used for any purpose other than that for which it is specifically furnished without prior consent.

southernlites_slats_ps1.rvt
All dimensions in millimetres

Southern Lites® Aluminium Slat Screen

Semi Frameless Side Fixed Balustrade/Fence - Fixing Details
Double joist 190

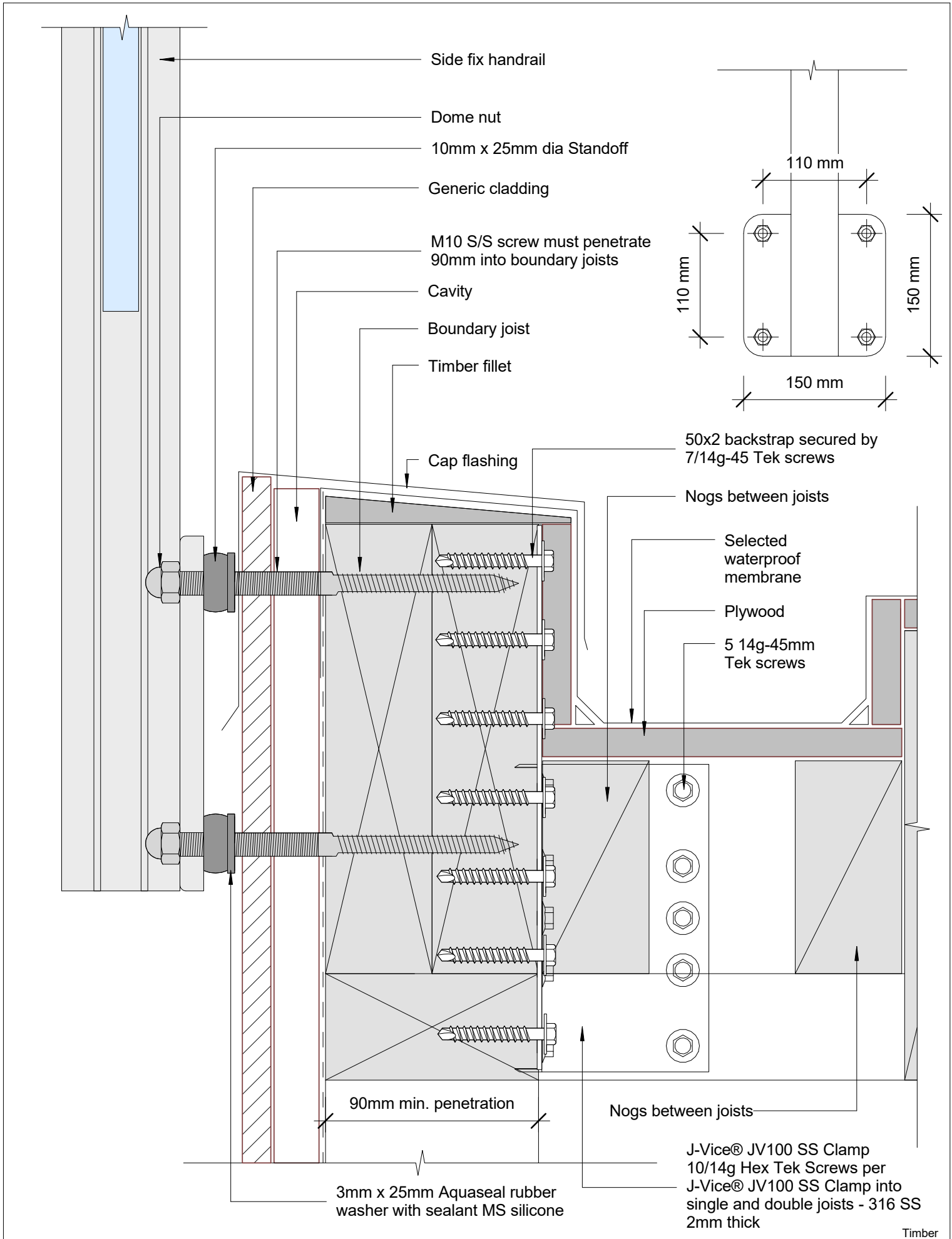
Date: 24/07/17
Scale: As indicated
Issue 01a

www.glassvice.com
Phone +64 9 414 6565
info@glassvice.com

Quick Code:

SF103





© 2017. The copyright of this document is the property of Glass Vice Limited and shall not be reproduced, copied, loaned or disposed of directly, or indirectly, nor used for any purpose other than that for which it is specifically furnished without prior consent.

southernlites_slats_ps1.rvt
All dimensions in millimetres

Southern Lites® Aluminium Slat Screen

Date: 24/07/17
Scale: As indicated

www.glassvice.com
Phone +64 9 414 6565
info@glassvice.com

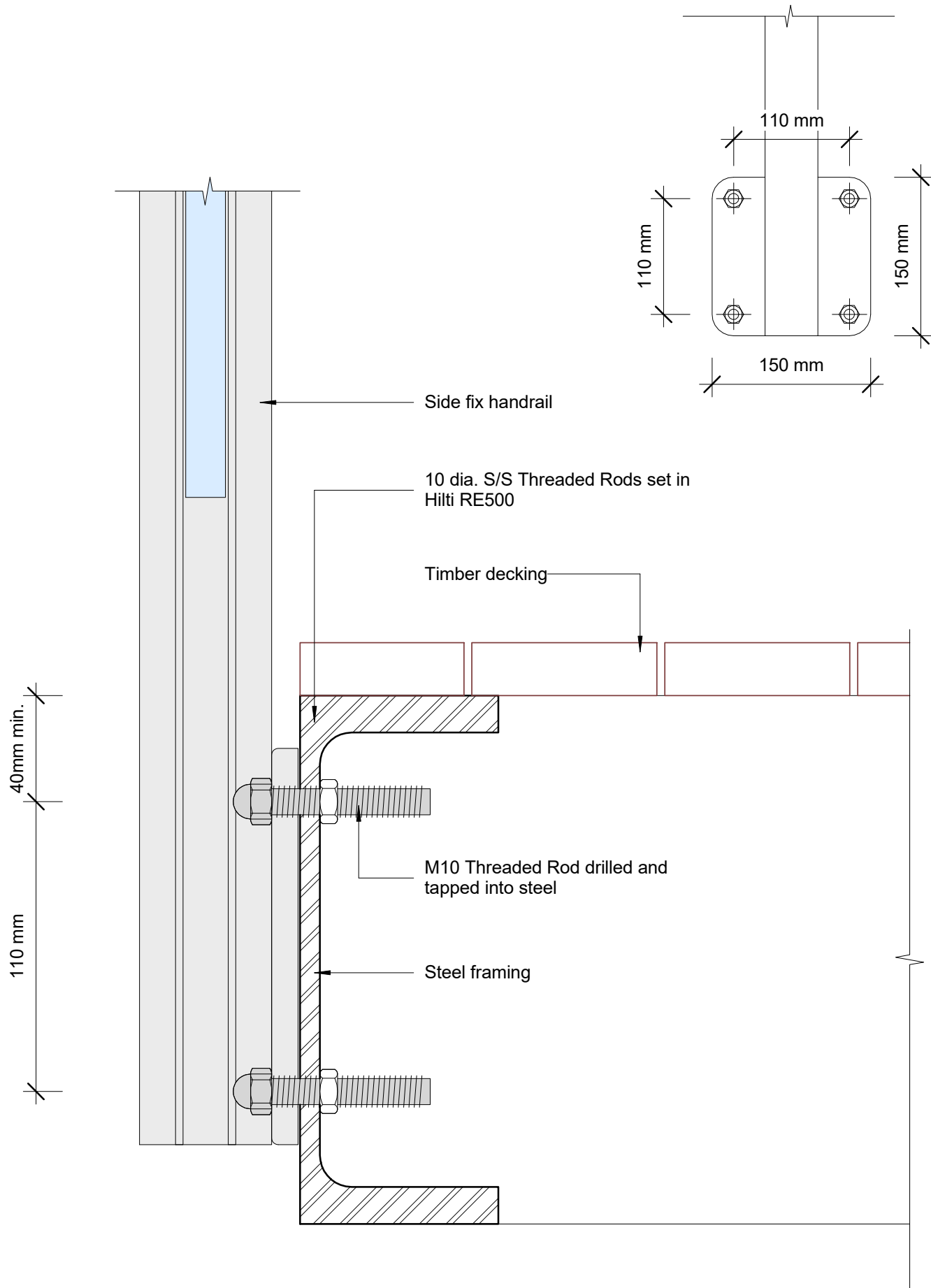
**GLASS
VICE®**

Semi Frameless Side Fixed Balustrade/Fence - Fixing Details
Double joist 190 Standoff

Issue 01a

Quick Code:

SF104



© 2017. The copyright of this document is the property of Glass Vice Limited and shall not be reproduced, copied, loaned or disposed of directly, or indirectly, nor used for any purpose other than that for which it is specifically furnished without prior consent.

southernlites_slats_ps1.rvt
All dimensions in millimetres

Southern Lites® Aluminium Slat Screen

Semi Frameless Side Fixed Balustrade/Fence - Fixing Details
Steel Beam

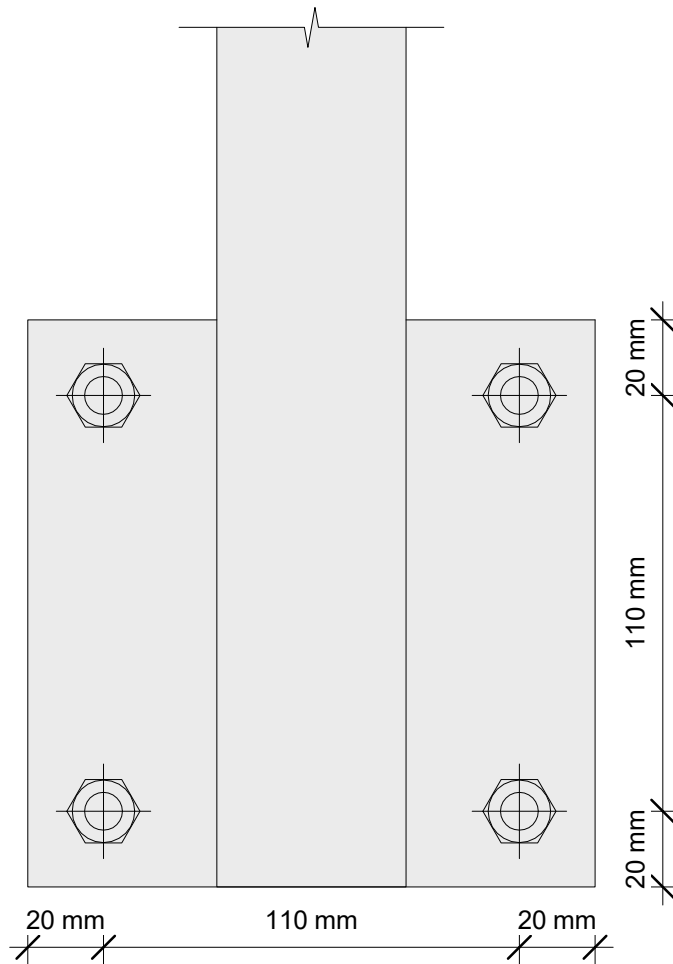
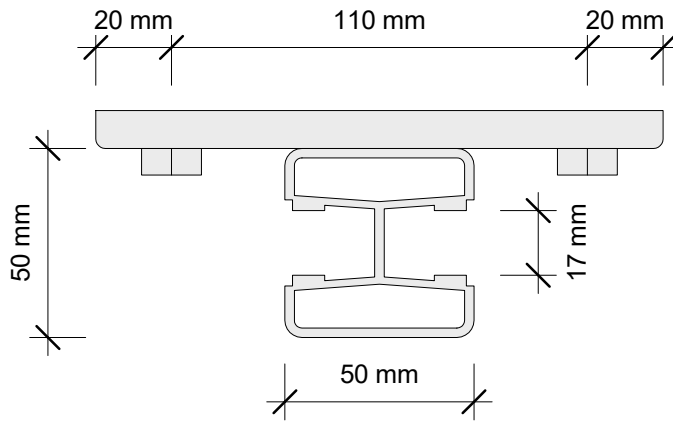
Date: 24/07/17
Scale: As indicated
Issue 01a

www.glassvice.com
Phone +64 9 414 6565
info@glassvice.com

Quick Code:

SF105





Southern Lites® Aluminium Slat Screen

Semi Frameless Side Fixed Balustrade/Fence - Fixing Details
Fixing Mid Posts and Plates

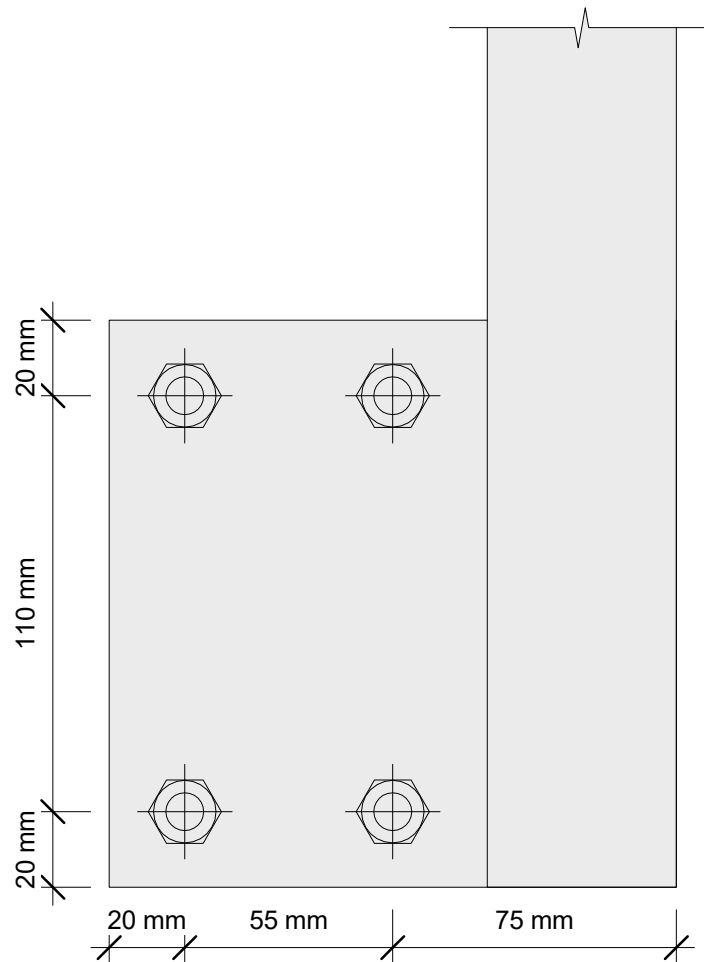
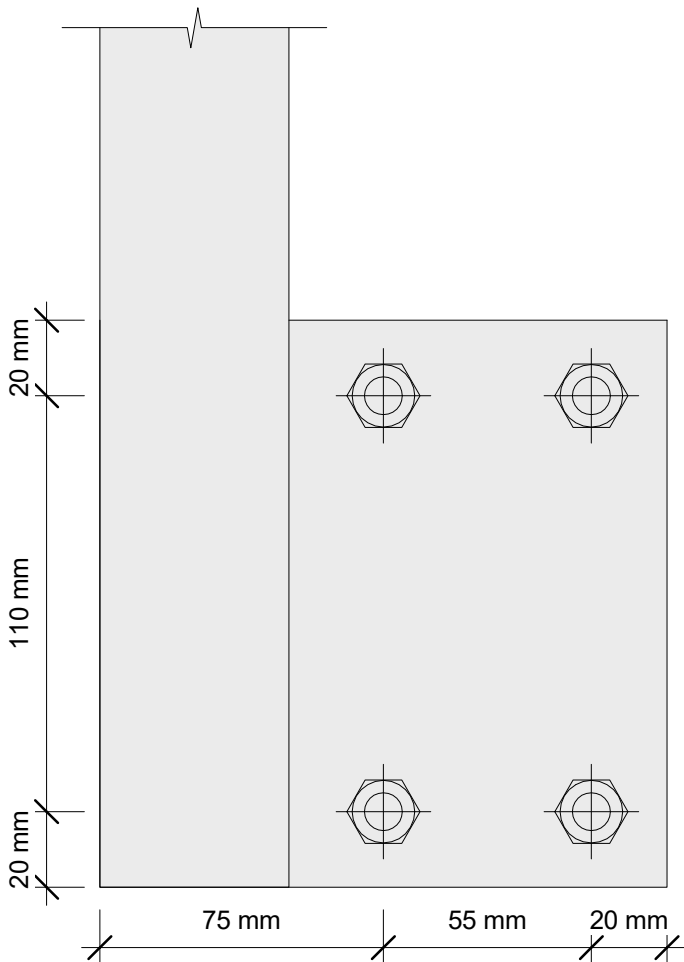
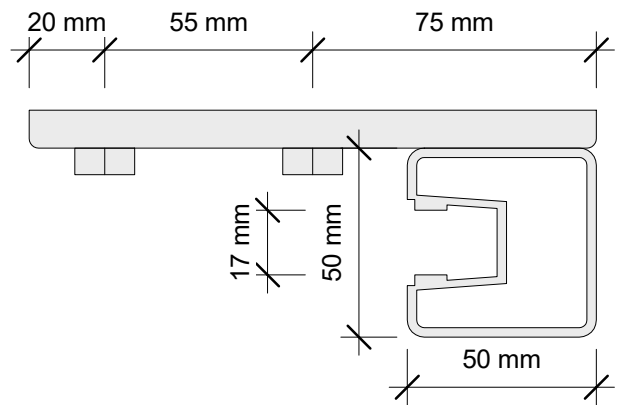
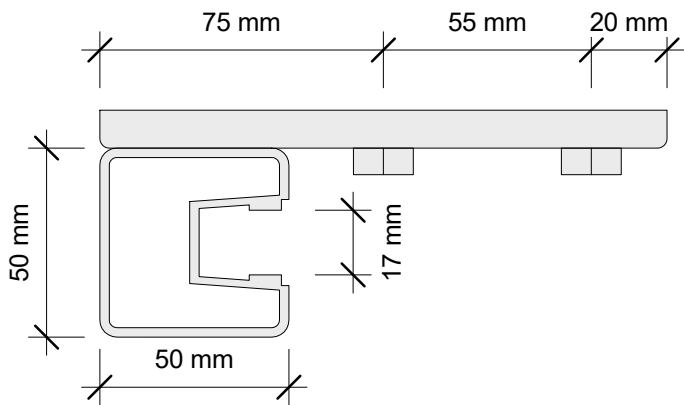
Date: 24/07/17
Scale: 1 : 2

Issue 01a

Quick Code:

www.glassvice.com
Phone +64 9 414 6565
info@glassvice.com

SF133



Concrete

© 2017. The copyright of this document is the property of Glass Vice Limited and shall not be reproduced, copied, loaned or disposed of directly, or indirectly, nor used for any purpose other than that for which it is specifically furnished without prior consent.

southernlites_slats_ps1.rvt
All dimensions in millimetres

Southern Lites® Aluminium Slat Screen

Semi Frameless Side Fixed Balustrade/Fence - Fixing Details
Fixing End Posts and Plates

Date: 24/07/17
Scale: 1 : 2

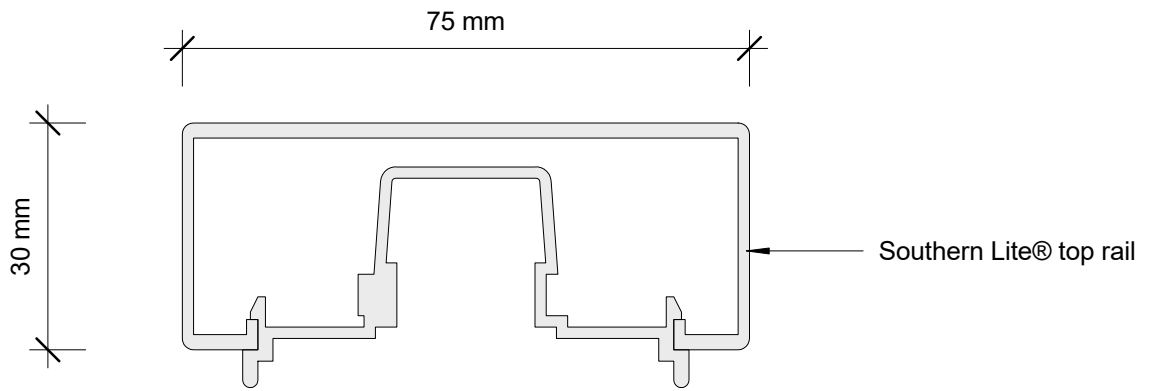
Issue 01a

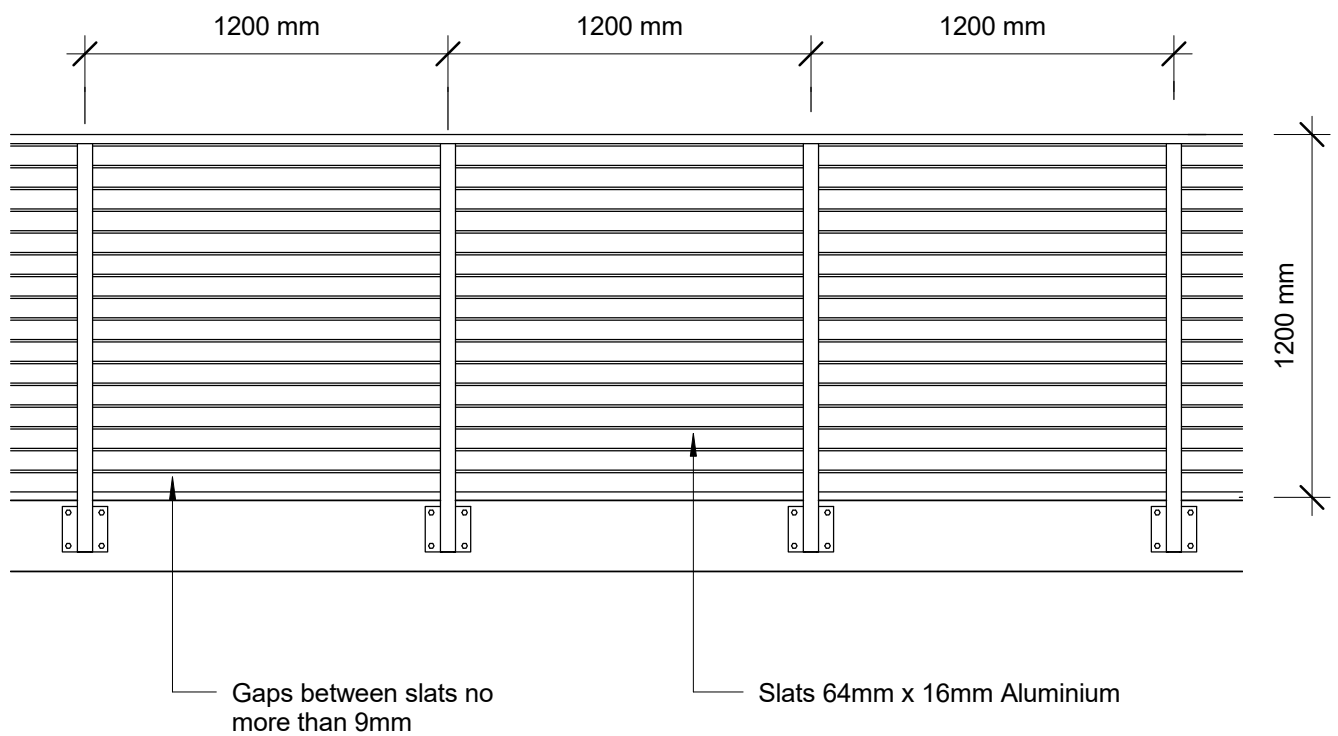
Quick Code:

www.glassvice.com
Phone +64 9 414 6565
info@glassvice.com

SF134

GLASS
VICE®





© 2017. The copyright of this document is the property of Glass Vice Limited and shall not be reproduced, copied, loaned or disposed of directly, or indirectly, nor used for any purpose other than that for which it is specifically furnished without prior consent.

southernlites_slats_ps1.rvt
All dimensions in millimetres



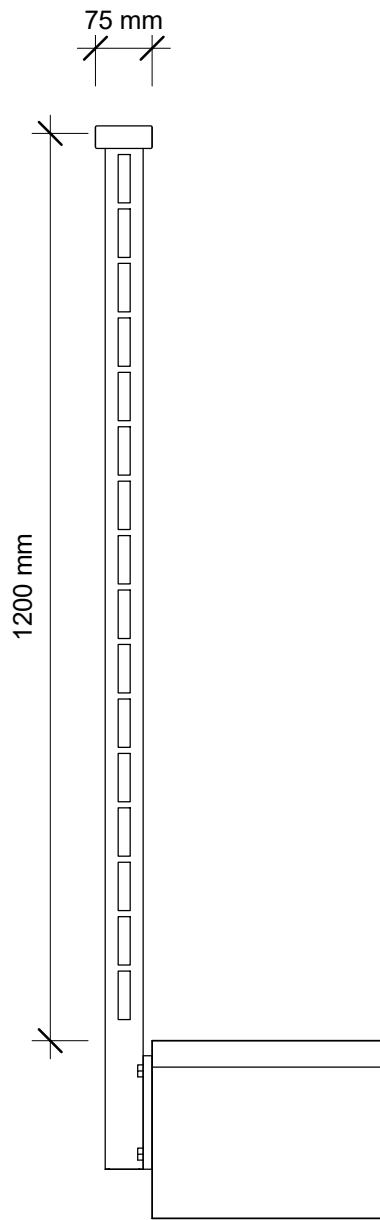
Southern Lites® Aluminium Slat Screen
Balustrade & Pool Fence - 1200x1200 high with top rail and three side support
Elevation View - Side Fixed

Date: 24/07/17
Scale: 1 : 25
Issue 01a

www.glassvice.com
Phone +64 9 414 6565
info@glassvice.com

Quick Code:

SF136



Timber

© 2017. The copyright of this document is the property of Glass Vice Limited and shall not be reproduced, copied, loaned or disposed of directly, or indirectly, nor used for any purpose other than that for which it is specifically furnished without prior consent.

southernlites_slats_ps1.rvt
All dimensions in millimetres



Southern Lites® Aluminium Slat Screen
Balustrade & Pool Fence - 1200x1200 high with top rail and three side support
Section Detail - Side Fixed

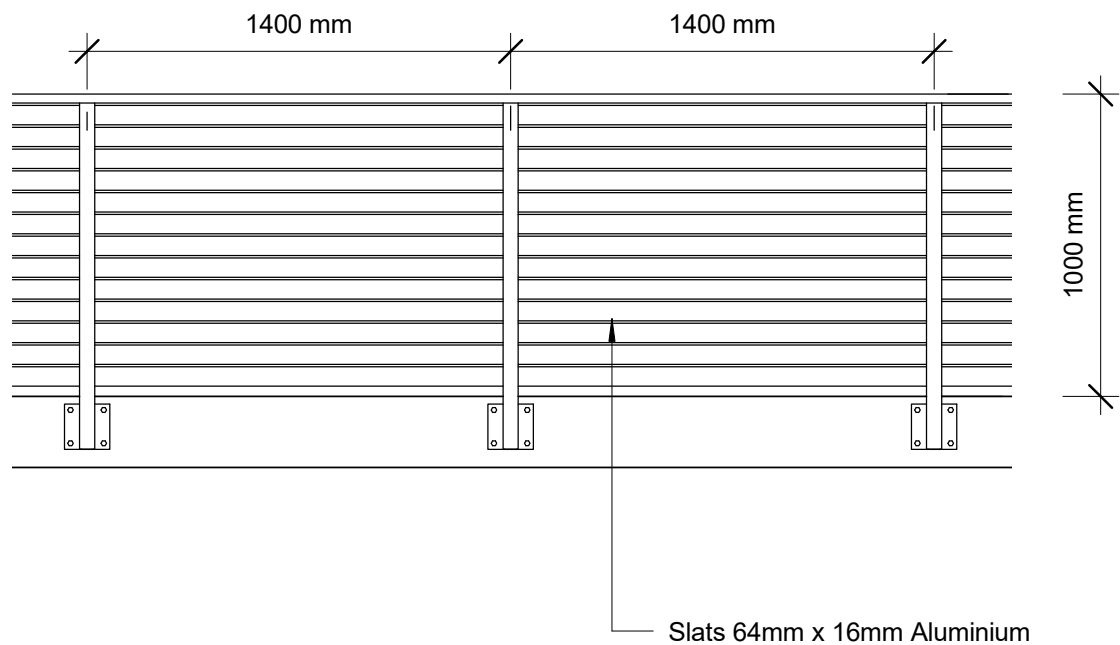
Date: 24/07/17
Scale: 1 : 10

Issue 01a

Quick Code:

www.glassvice.com
Phone +64 9 414 6565
info@glassvice.com

SL004



Timber

© 2017. The copyright of this document is the property of Glass Vice Limited and shall not be reproduced, copied, loaned or disposed of directly, or indirectly, nor used for any purpose other than that for which it is specifically furnished without prior consent.

southernlites_slats_ps1.rvt
All dimensions in millimetres

Southern Lites® Aluminium Slat Screen

Balustrade - 1400mm post centres by 1000mm high with top rail
Elevation View - Side Fixed

Date: 24/07/17
Scale: 1 : 25

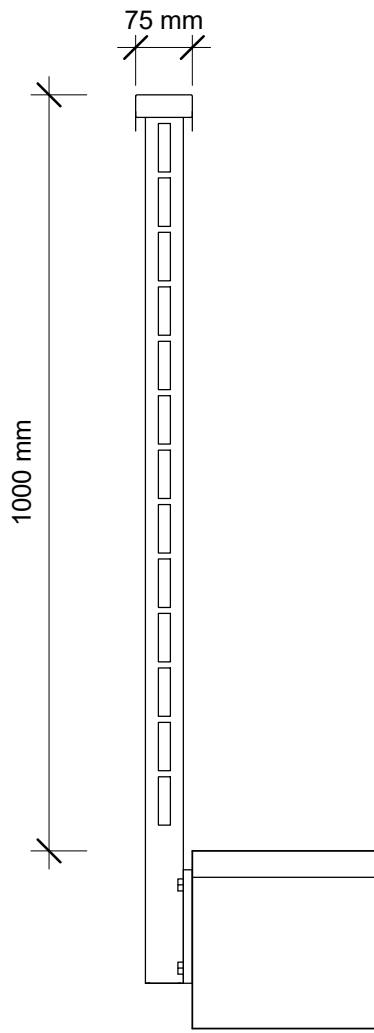
Issue 01a

Quick Code:

www.glassvice.com
Phone +64 9 414 6565
info@glassvice.com

SL005

GLASS
VICE®



Timber

© 2017. The copyright of this document is the property of Glass Vice Limited and shall not be reproduced, copied, loaned or disposed of directly, or indirectly, nor used for any purpose other than that for which it is specifically furnished without prior consent.

southernlites_slats_ps1.rvt
All dimensions in millimetres

Southern Lites® Aluminium Slat Screen

Balustrade - 1400mm post centres by 1000mm high with top rail
Section Detail - Side Fixed

Date: 24/07/17
Scale: 1 : 10

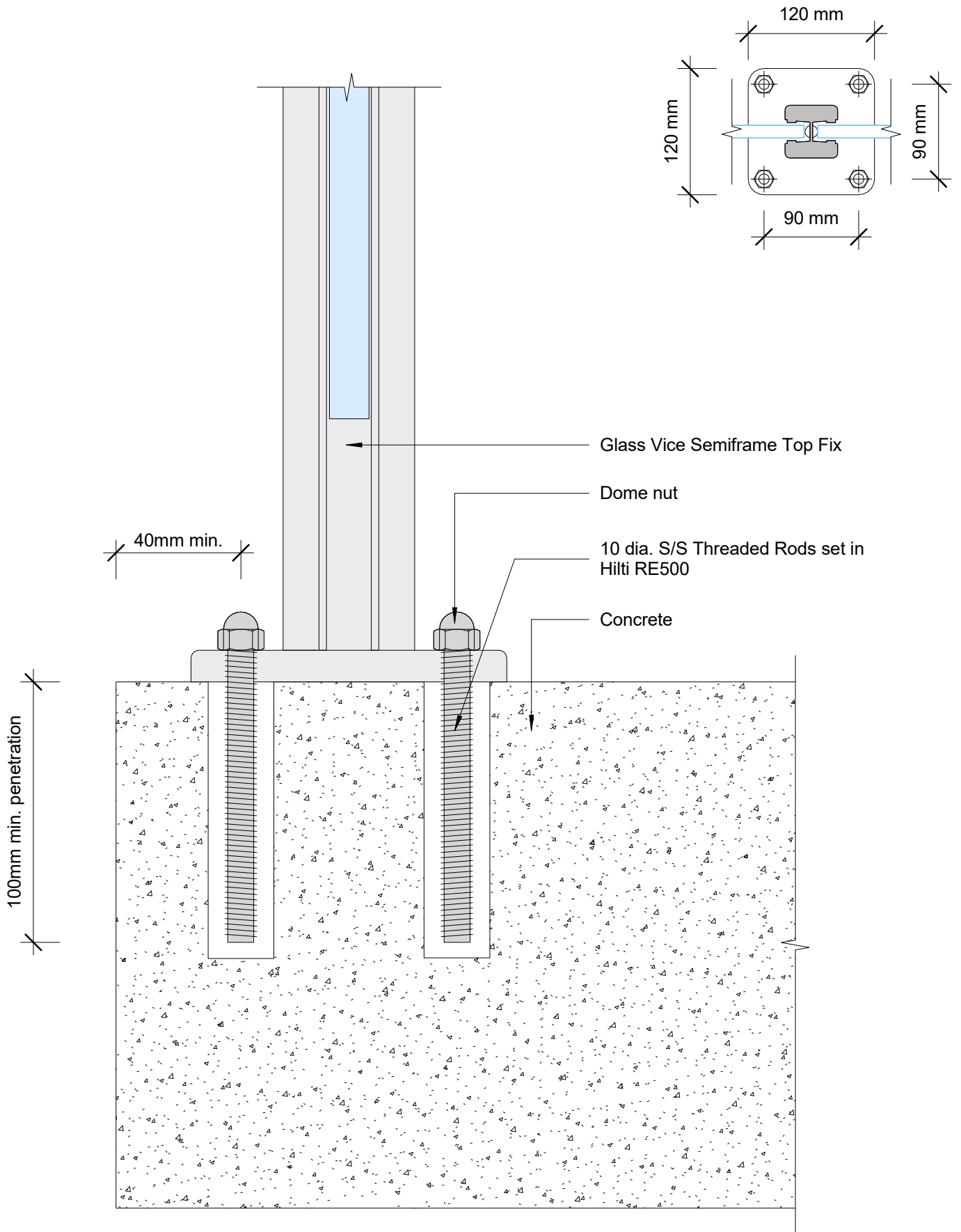
Issue 01a

Quick Code:

www.glassvice.com
Phone +64 9 414 6565
info@glassvice.com

SL007





© 2017. The copyright of this document is the property of Glass Vice Limited and shall not be reproduced, copied, loaned or disposed of directly, or indirectly, nor used for any purpose other than that for which it is specifically furnished without prior consent.

southernlites_slats_ps1.rvt
All dimensions in millimetres

Southern Lites® Aluminium Slat Screen

Date: 24/07/17
Scale: As indicated

www.glassvice.com
Phone +64 9 414 6565
info@glassvice.com

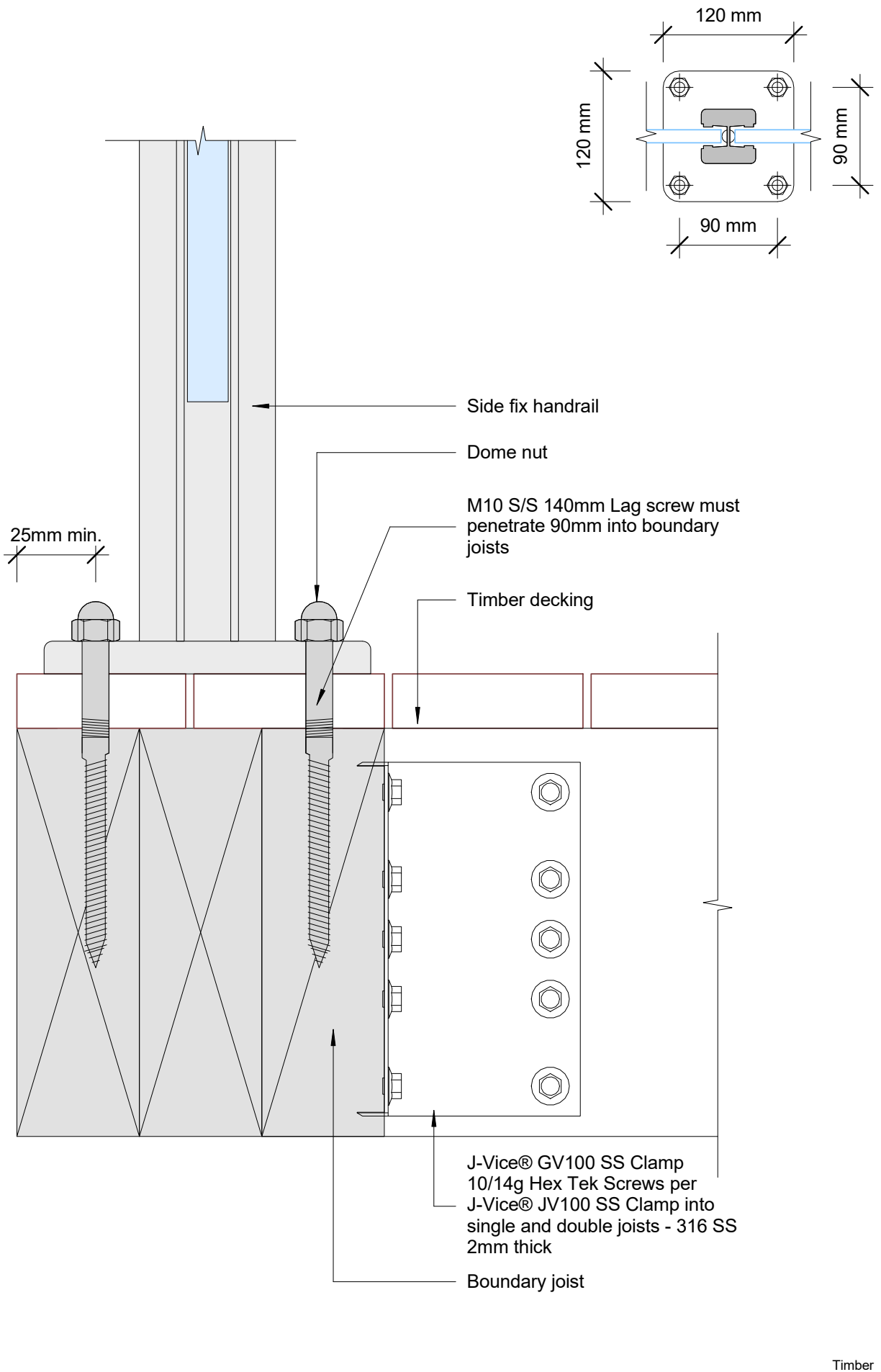
**GLASS
VICE®**

Balustrade/Fence - Fixing Details
Top Fix Concrete

Issue 01a

Quick Code:

ST210



© 2017. The copyright of this document is the property of Glass Vice Limited and shall not be reproduced, copied, loaned or disposed of directly, or indirectly, nor used for any purpose other than that for which it is specifically furnished without prior consent.

southernlites_slats_ps1.rvt
All dimensions in millimetres

Southern Lites® Aluminium Slat Screen

Balustrade/Fence - Fixing Details
Top Fix Timber

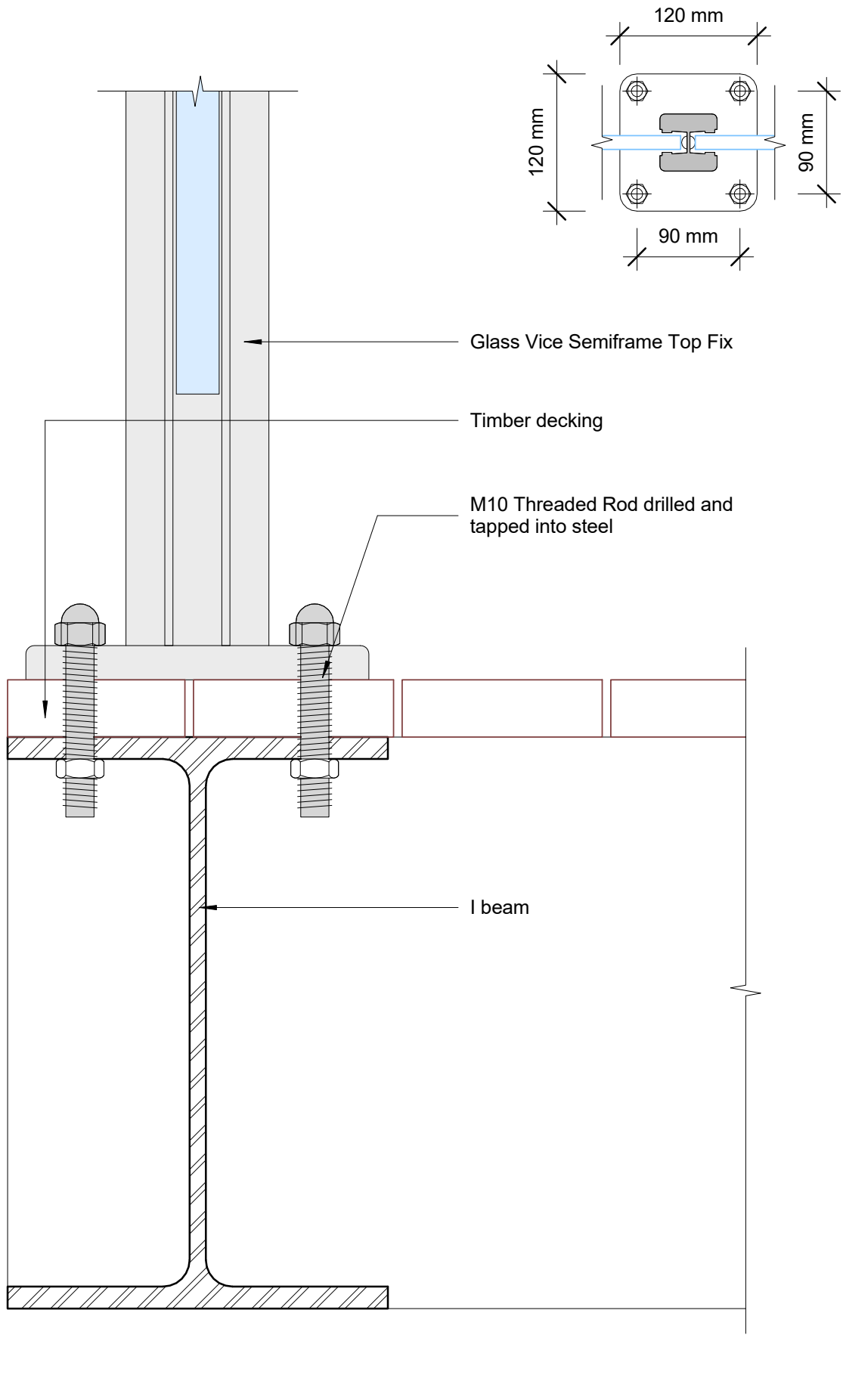
Date: 24/07/17
Scale: As indicated
Issue 01a

www.glassvice.com
Phone +64 9 414 6565
info@glassvice.com

Quick Code:

ST220

GLASS
VICE®



© 2017. The copyright of this document is the property of Glass Vice Limited and shall not be reproduced, copied, loaned or disposed of directly, or indirectly, nor used for any purpose other than that for which it is specifically furnished without prior consent.

southernlites_slats_ps1.rvt
All dimensions in millimetres

Southern Lites® Aluminium Slat Screen

Balustrade/Fence - Fixing Details
Top Fix Steel Beam

Date: 24/07/17
Scale: As indicated

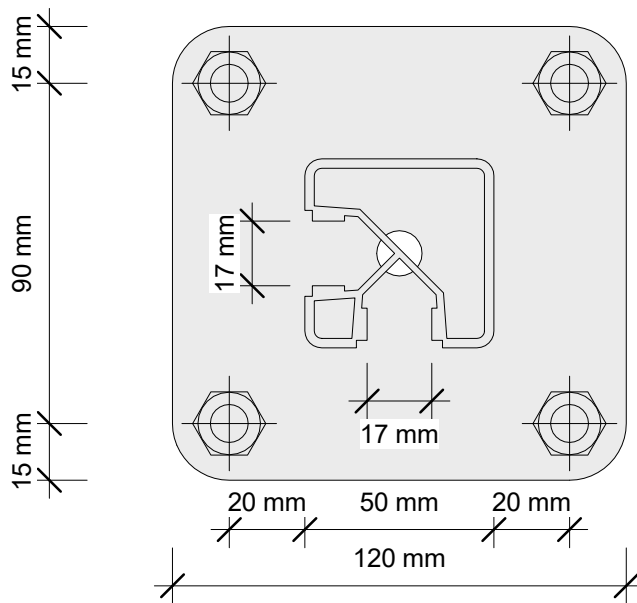
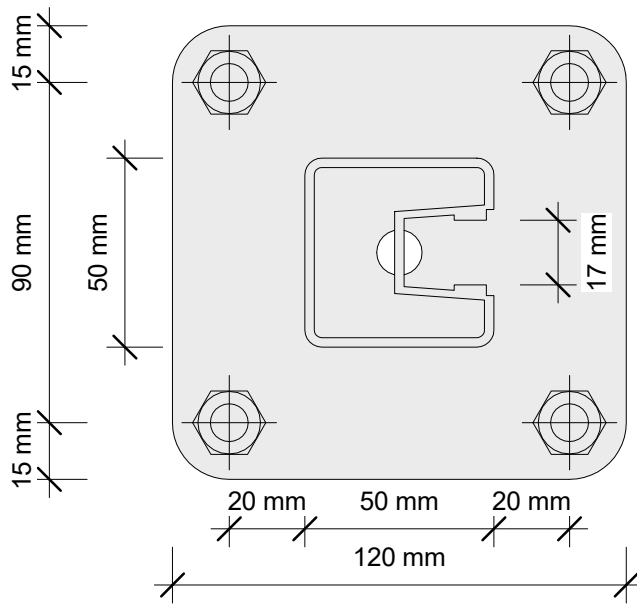
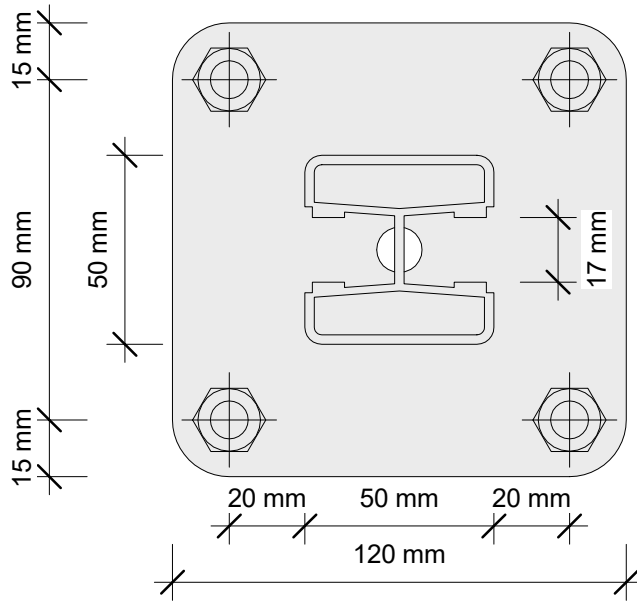
Issue 01a

Quick Code:

www.glassvice.com
Phone +64 9 414 6565
info@glassvice.com

ST230

GLASS
VICE®



Southern Lites® Aluminium Slat Screen

Balustrade/Fence - Fixing Details
Fixing Posts and Plates - Top Fixed

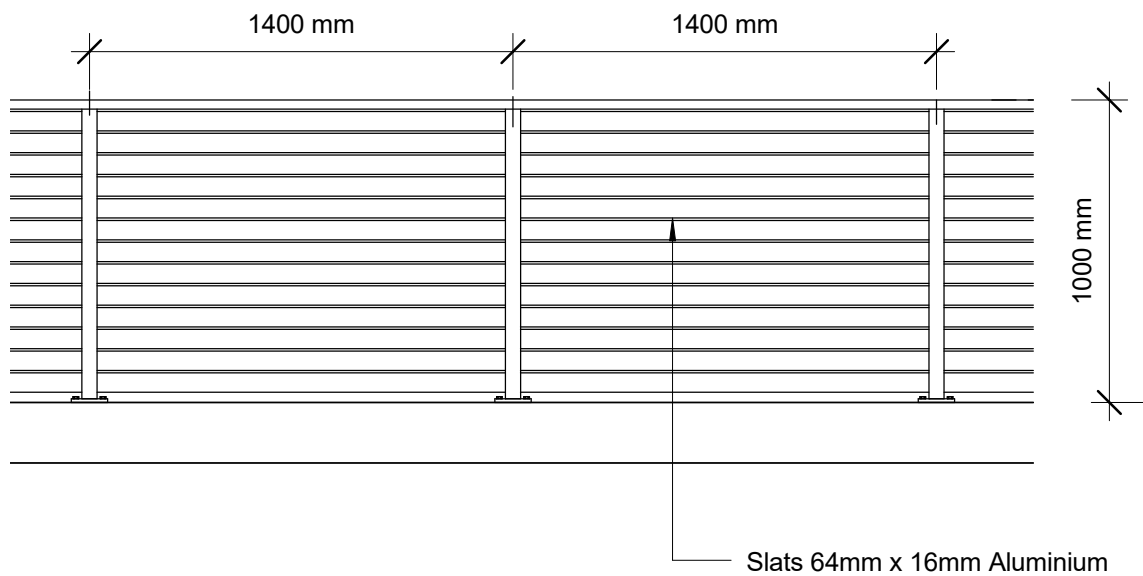
Date: 24/07/17
Scale: 1 : 2

Issue 01a

Quick Code:

www.glassvice.com
Phone +64 9 414 6565
info@glassvice.com

ST240



© 2017. The copyright of this document is the property of Glass Vice Limited and shall not be reproduced, copied, loaned or disposed of directly, or indirectly, nor used for any purpose other than that for which it is specifically furnished without prior consent.

southernlites_slats_ps1.rvt
All dimensions in millimetres

**GLASS
VICE**

Southern Lites® Aluminium Slat Screen

Balustrade - 1400mm post centres by 1000mm high with top rail
Elevation View - Top Fixed

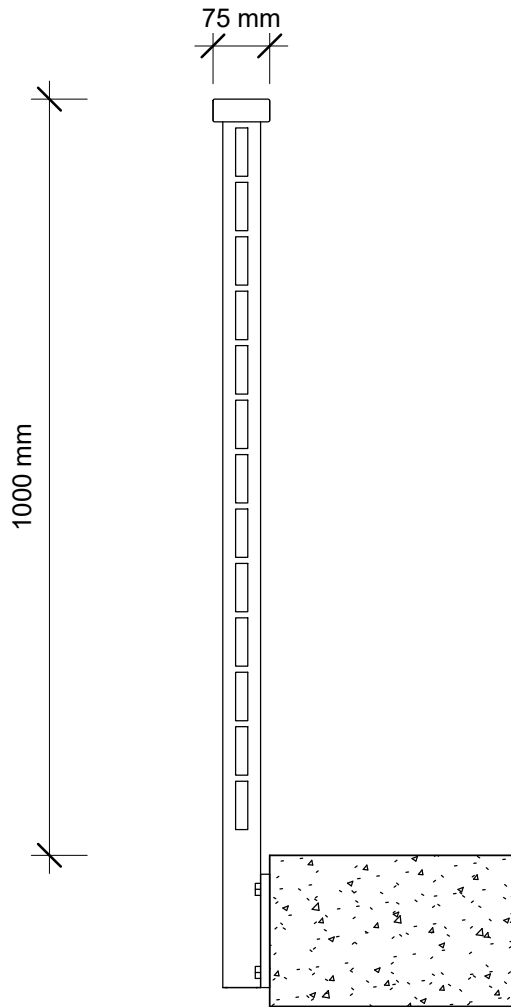
Date: 24/07/17
Scale: 1 : 25

Issue 01a

Quick Code:

www.glassvice.com
Phone +64 9 414 6565
info@glassvice.com

ST250



Concrete

© 2017. The copyright of this document is the property of Glass Vice Limited and shall not be reproduced, copied, loaned or disposed of directly, or indirectly, nor used for any purpose other than that for which it is specifically furnished without prior consent.

southernlites_slats_ps1.rvt
All dimensions in millimetres

Southern Lites® Aluminium Slat Screen

Balustrade - 1400mm post centres by 1000mm high with top rail
Section - Top Fixed

Date: 24/07/17
Scale: 1 : 10

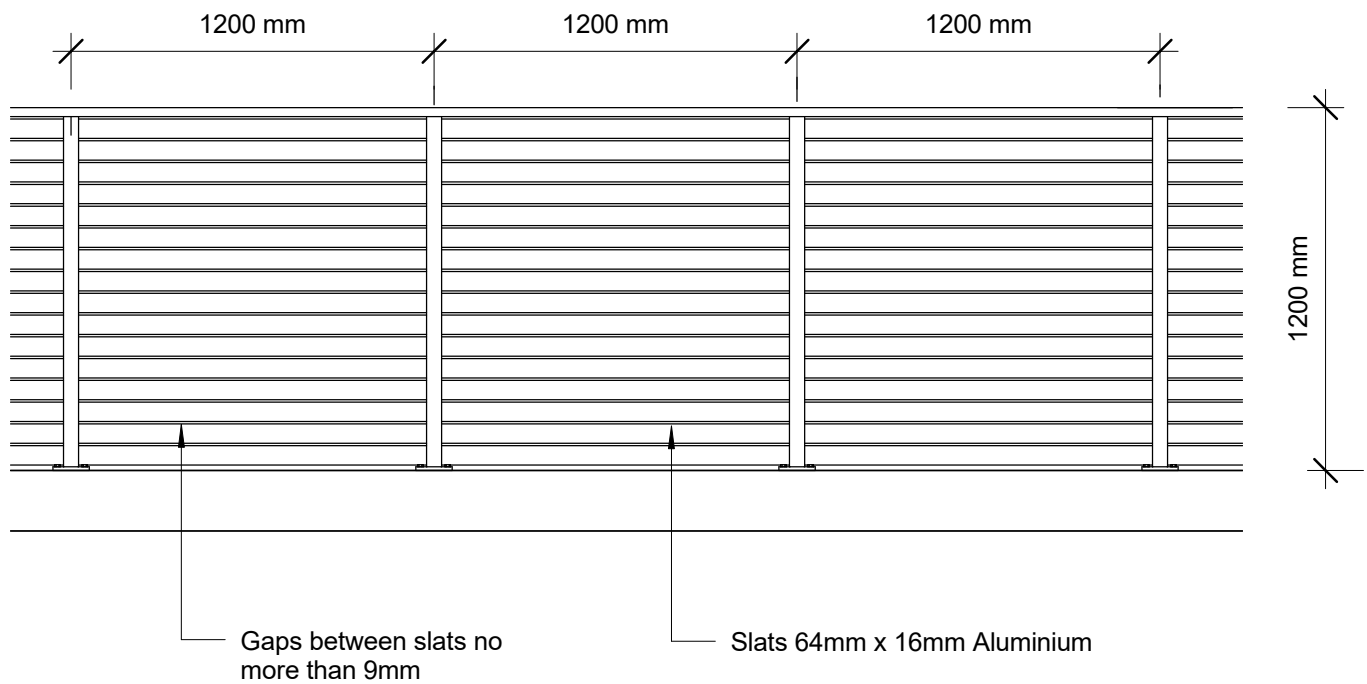
Issue 01a

Quick Code:

www.glassvice.com
Phone +64 9 414 6565
info@glassvice.com

ST270

**GLASS
VICE®**



© 2017. The copyright of this document is the property of Glass Vice Limited and shall not be reproduced, copied, loaned or disposed of directly, or indirectly, nor used for any purpose other than that for which it is specifically furnished without prior consent.

southernlites_slats_ps1.rvt
All dimensions in millimetres

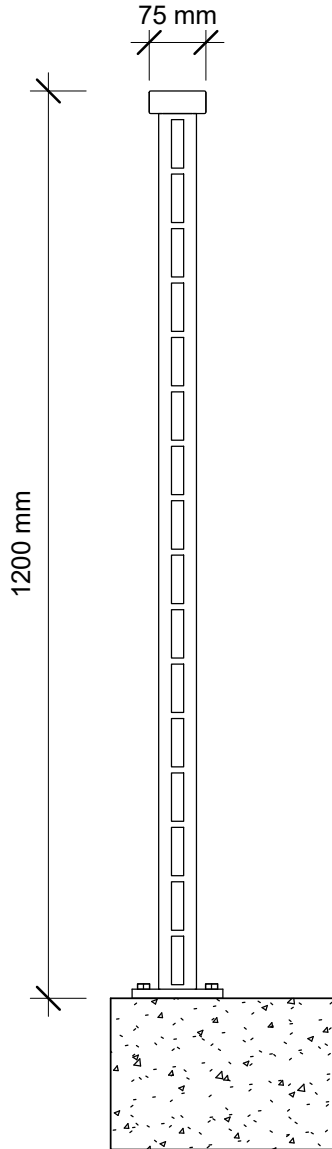


Southern Lites® Aluminium Slat Screen
Balustrade & Pool Fence - 1200x1200 high with top rail and three side support
Elevation - Top Fixed

Date: 24/07/17
Scale: 1 : 25
Issue 01a
Quick Code:

www.glassvice.com
Phone +64 9 414 6565
info@glassvice.com

ST280



Concrete

© 2017. The copyright of this document is the property of Glass Vice Limited and shall not be reproduced, copied, loaned or disposed of directly, or indirectly, nor used for any purpose other than that for which it is specifically furnished without prior consent.

southernlites_slats_ps1.rvt
All dimensions in millimetres



Southern Lites® Aluminium Slat Screen
Balustrade & Pool Fence - 1200x1200 high with top rail and three side support
Section - Top Fixed

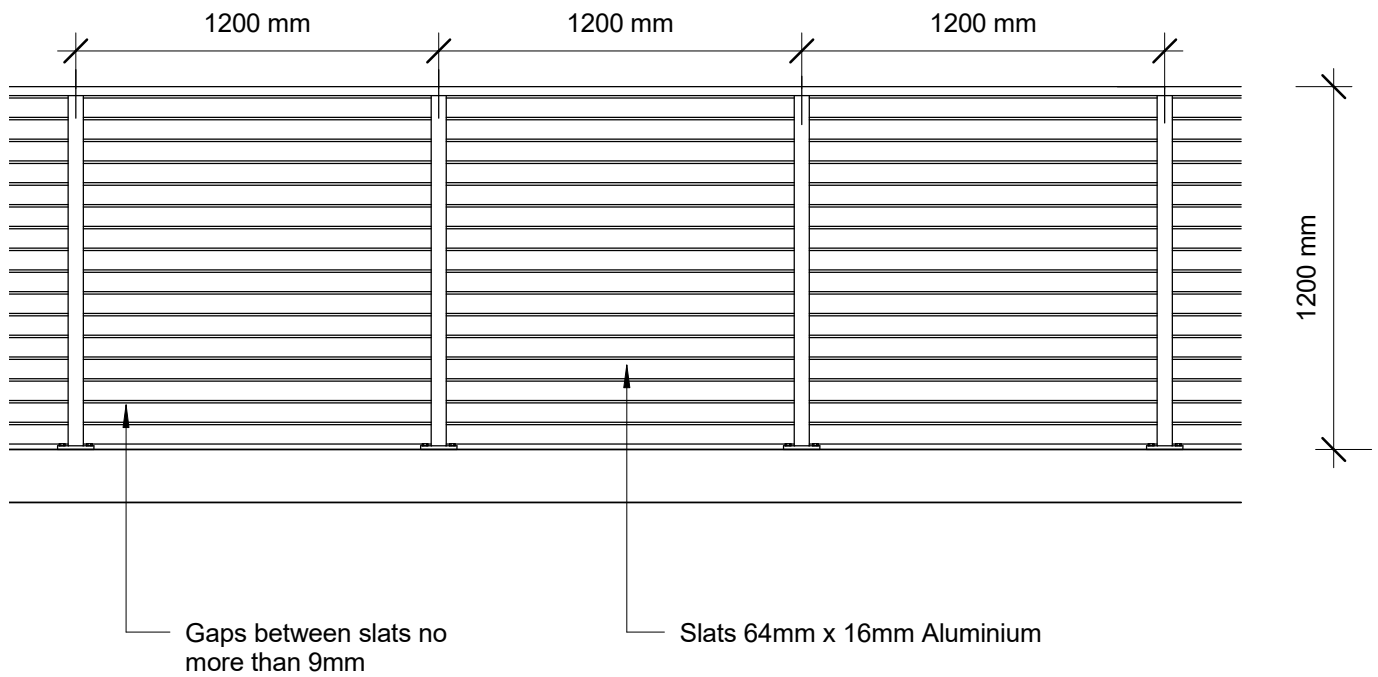
Date: 24/07/17
Scale: 1 : 10

www.glassvice.com
Phone +64 9 414 6565
info@glassvice.com

Issue 01a

Quick Code:

ST290



© 2017. The copyright of this document is the property of Glass Vice Limited and shall not be reproduced, copied, loaned or disposed of directly, or indirectly, nor used for any purpose other than that for which it is specifically furnished without prior consent.

southernlites_slats_ps1.rvt
All dimensions in millimetres



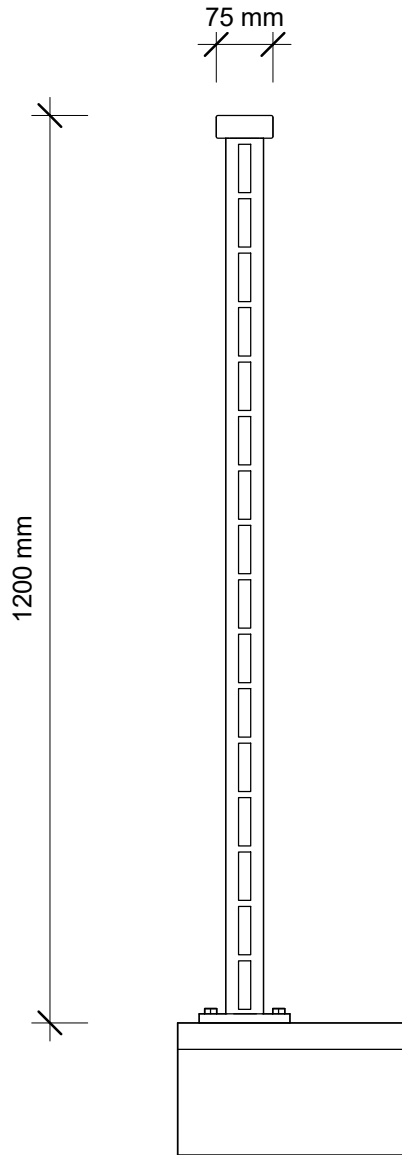
Southern Lites® Aluminium Slat Screen
Balustrade & Pool Fence - 1200x1200 high with top rail and three side support
Elevation View - Top Fixed

Date: 24/07/17
Scale: 1 : 25
Issue 01a

www.glassvice.com
Phone +64 9 414 6565
info@glassvice.com

Quick Code:

ST300



Timber

© 2017. The copyright of this document is the property of Glass Vice Limited and shall not be reproduced, copied, loaned or disposed of directly, or indirectly, nor used for any purpose other than that for which it is specifically furnished without prior consent.

southernlites_slats_ps1.rvt
All dimensions in millimetres



Southern Lites® Aluminium Slat Screen
Balustrade & Pool Fence - 1200x1200 high with top rail and three side support
Section Detail - Top Fixed

Date: 24/07/17
Scale: 1 : 10
Issue 01a

www.glassvice.com
Phone +64 9 414 6565
info@glassvice.com

Quick Code:

ST310