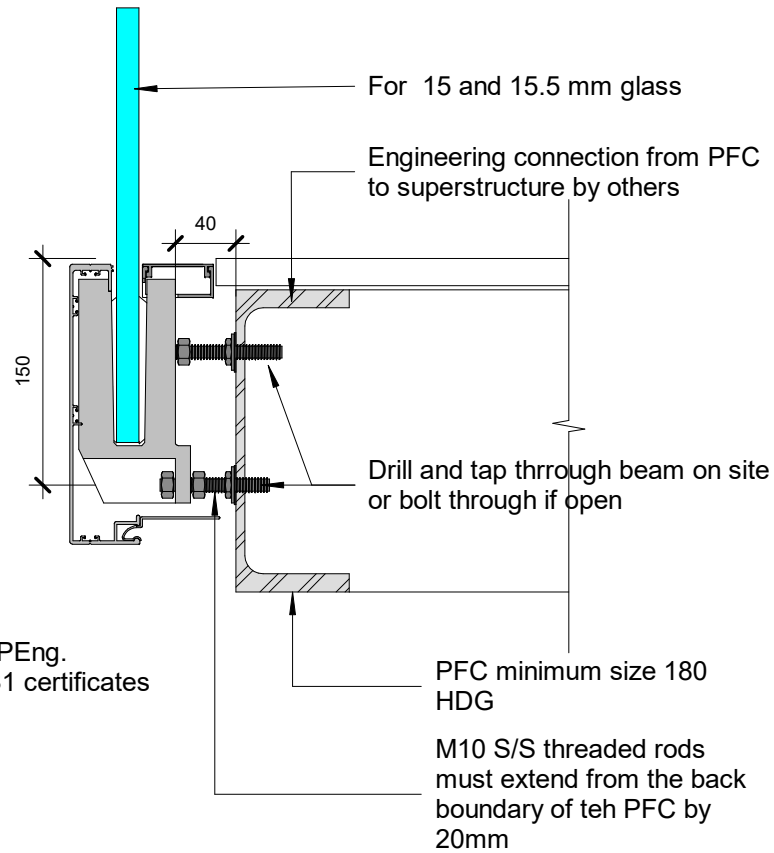


These drawings relate only to Glass Vice® Clearline and its fixings. All other elements are shown indicative only.

© 2021. The copyright of this document is the property of Glass Vice Limited and shall not be reproduced, copied, loaned or disposed of directly, or indirectly, nor used for any purpose other than that for which it is specifically furnished without prior consent.

gv_clearline.rvt
All dimensions in millimetres

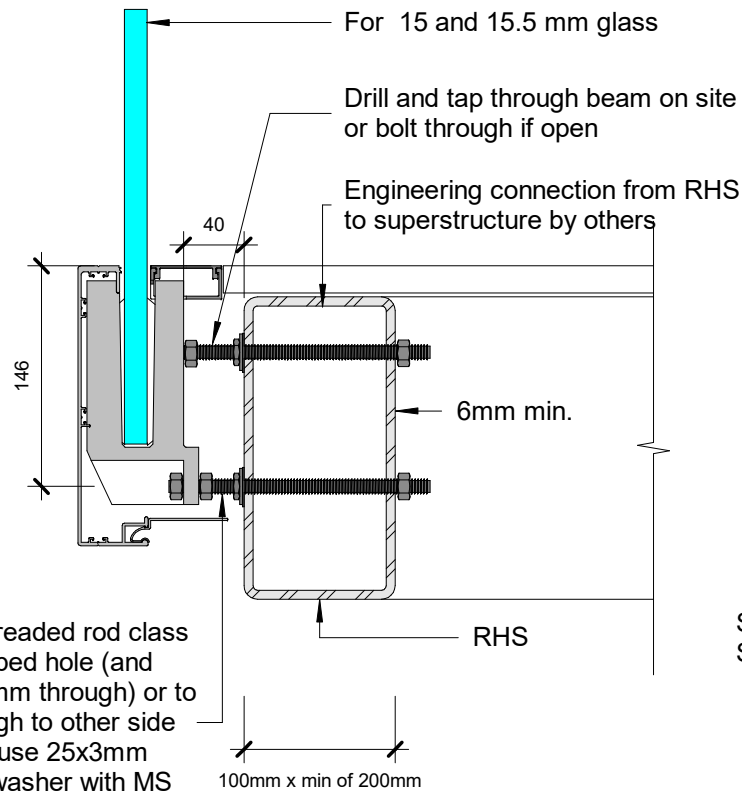


Steel members to be designed by Engineer CPEng.
Spacing limited by glass capacity - refer to PS1 certificates

These drawings relate only to Glass Vice® Clearline and its fixings. All other elements are shown indicative only.

© 2021. The copyright of this document is the property of Glass Vice Limited and shall not be reproduced, copied, loaned or disposed of directly, or indirectly, nor used for any purpose other than that for which it is specifically furnished without prior consent.

gv_clearline.rvt
All dimensions in millimetres



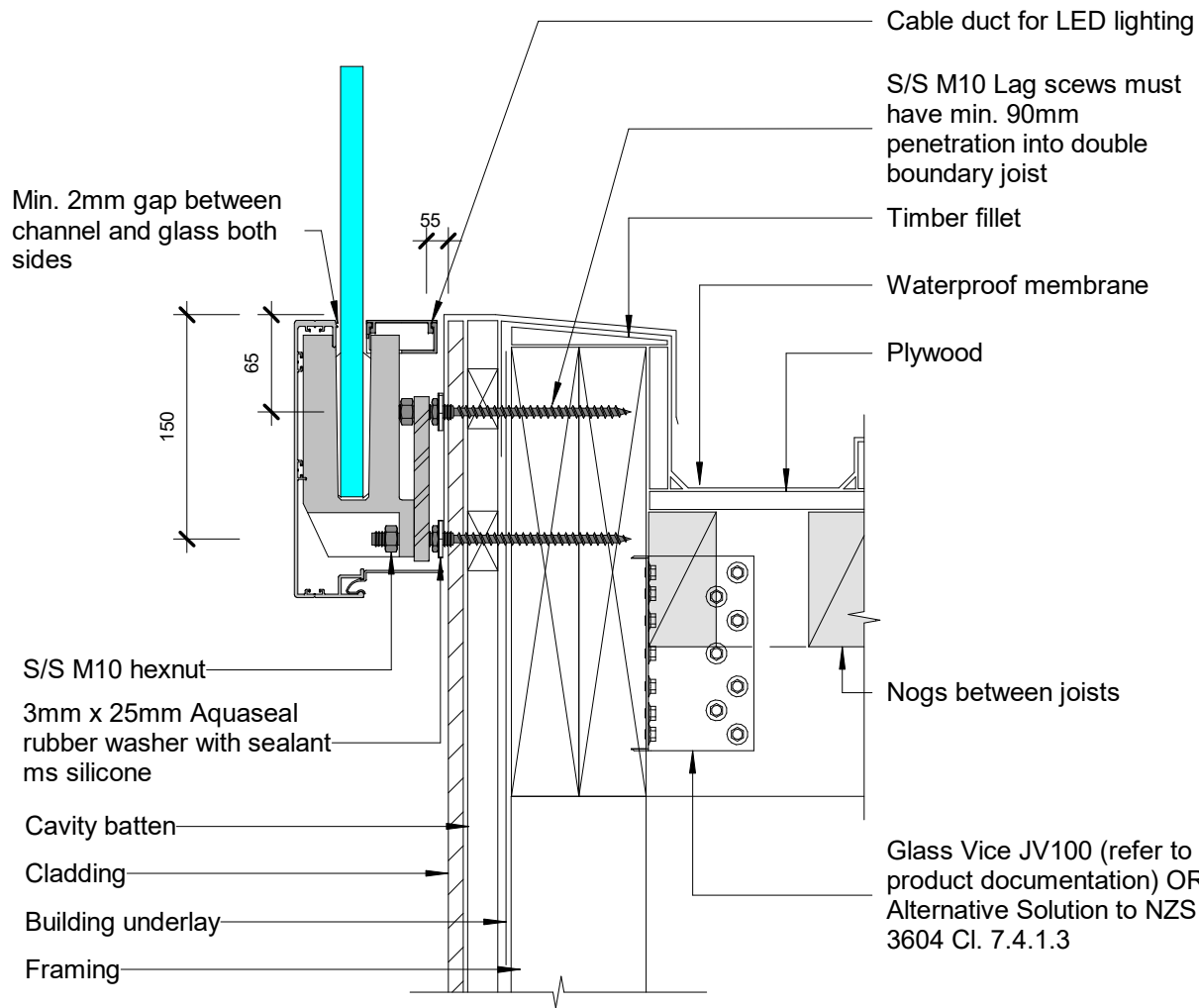
M10 SS threaded rod class 70 into tapped hole (and extend 10mm through) or to pass through to other side as shown. use 25x3mm Aquaseal washer with MS sealant to steel faces.

Steel members to be designed by Engineer CPEng.
Spacing limited by glass capacity - refer to PS1 certificates

These drawings relate only to Glass Vice® Clearline and its fixings. All other elements are shown indicative only.

© 2021. The copyright of this document is the property of Glass Vice Limited and shall not be reproduced, copied, loaned or disposed of directly, or indirectly, nor used for any purpose other than that for which it is specifically furnished without prior consent.

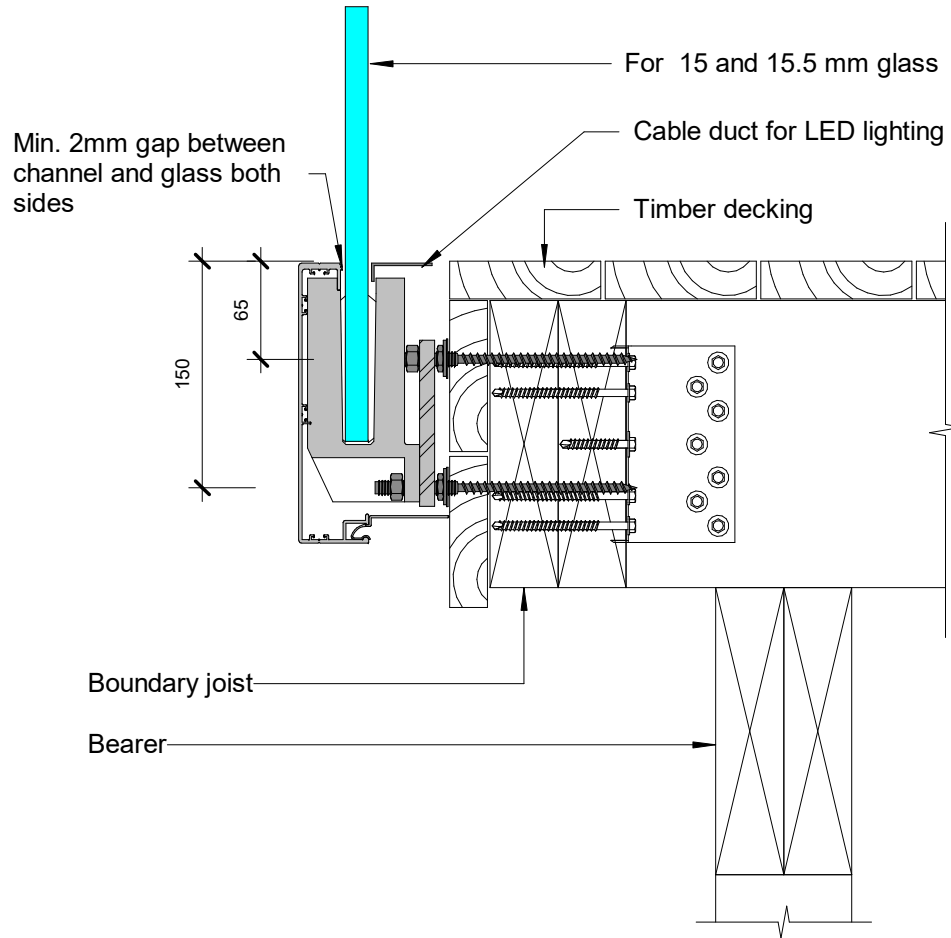
gv_clearline.rvt
All dimensions in millimetres



These drawings relate only to Glass Vice® Clearline and its fixings. All other elements are shown indicative only.

© 2021. The copyright of this document is the property of Glass Vice Limited and shall not be reproduced, copied, loaned or disposed of directly, or indirectly, nor used for any purpose other than that for which it is specifically furnished without prior consent.

gv_clearline.rvt
All dimensions in millimetres



Min. 2mm gap between channel and glass both sides

For 15 and 15.5 mm glass

Cable duct for LED lighting

Timber decking

150

65

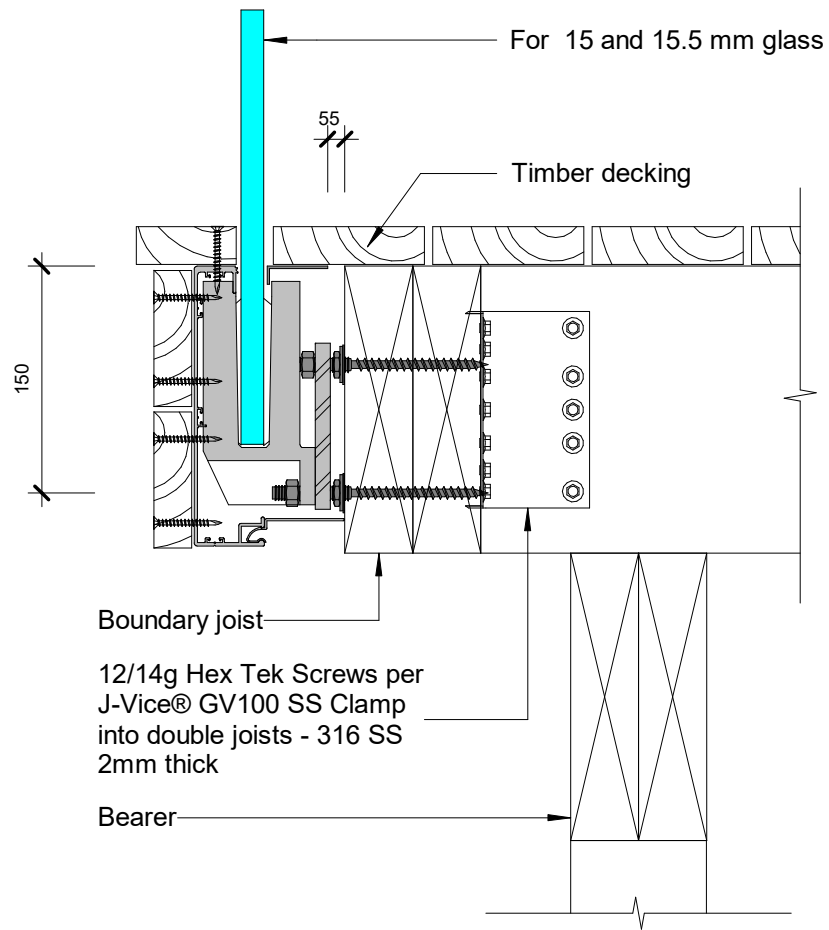
Boundary joist

Bearer

These drawings relate only to Glass Vice® Clearline and its fixings. All other elements are shown indicative only.

© 2021. The copyright of this document is the property of Glass Vice Limited and shall not be reproduced, copied, loaned or disposed of directly, or indirectly, nor used for any purpose other than that for which it is specifically furnished without prior consent.

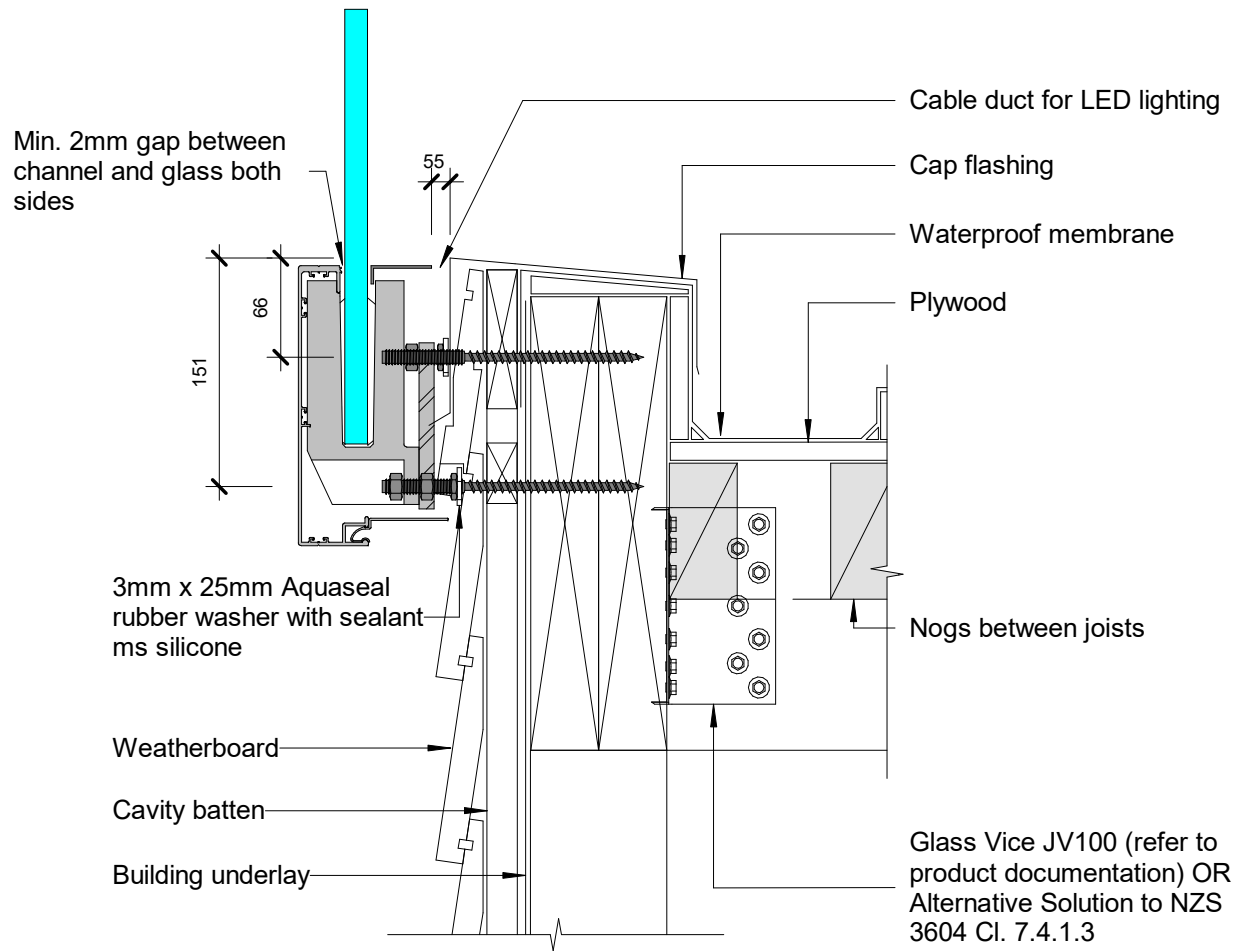
gv_clearline.rvt
All dimensions in millimetres



These drawings relate only to Glass Vice® Clearline and its fixings. All other elements are shown indicative only.

© 2021. The copyright of this document is the property of Glass Vice Limited and shall not be reproduced, copied, loaned or disposed of directly, or indirectly, nor used for any purpose other than that for which it is specifically furnished without prior consent.

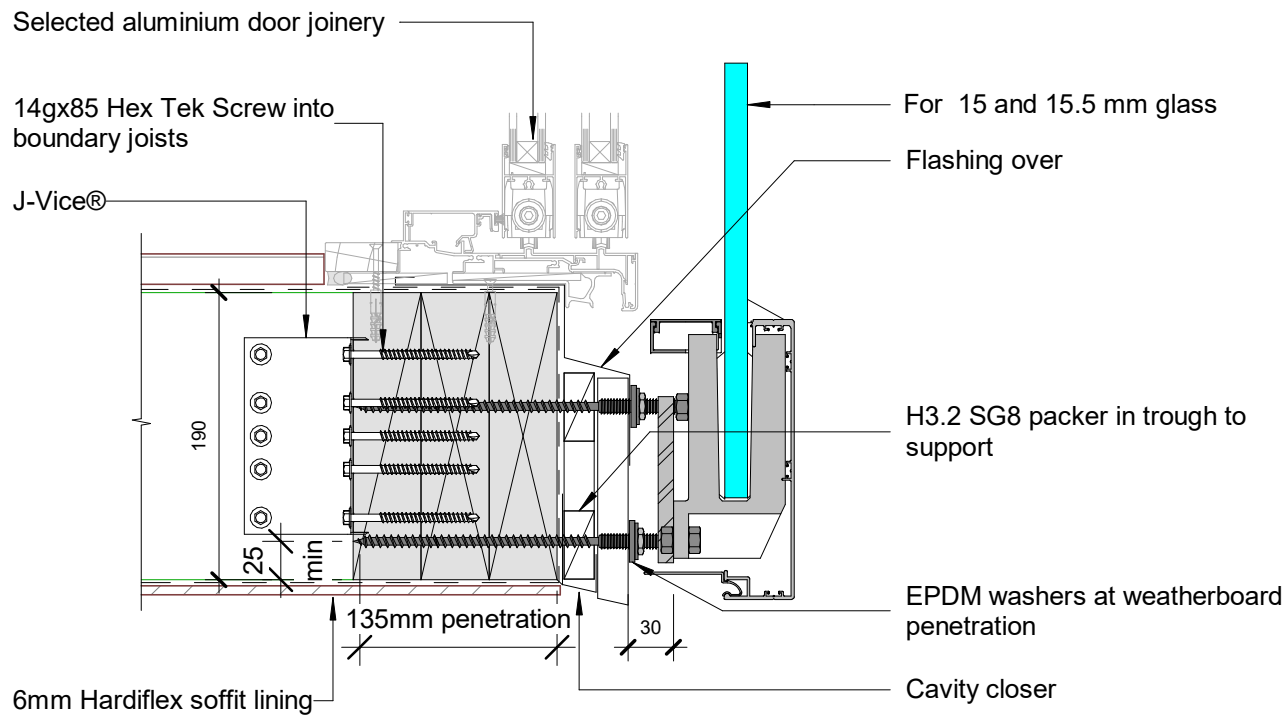
gv_clearline.rvt
All dimensions in millimetres



These drawings relate only to Glass Vice® Clearline and its fixings. All other elements are shown indicative only.

© 2021. The copyright of this document is the property of Glass Vice Limited and shall not be reproduced, copied, loaned or disposed of directly, or indirectly, nor used for any purpose other than that for which it is specifically furnished without prior consent.

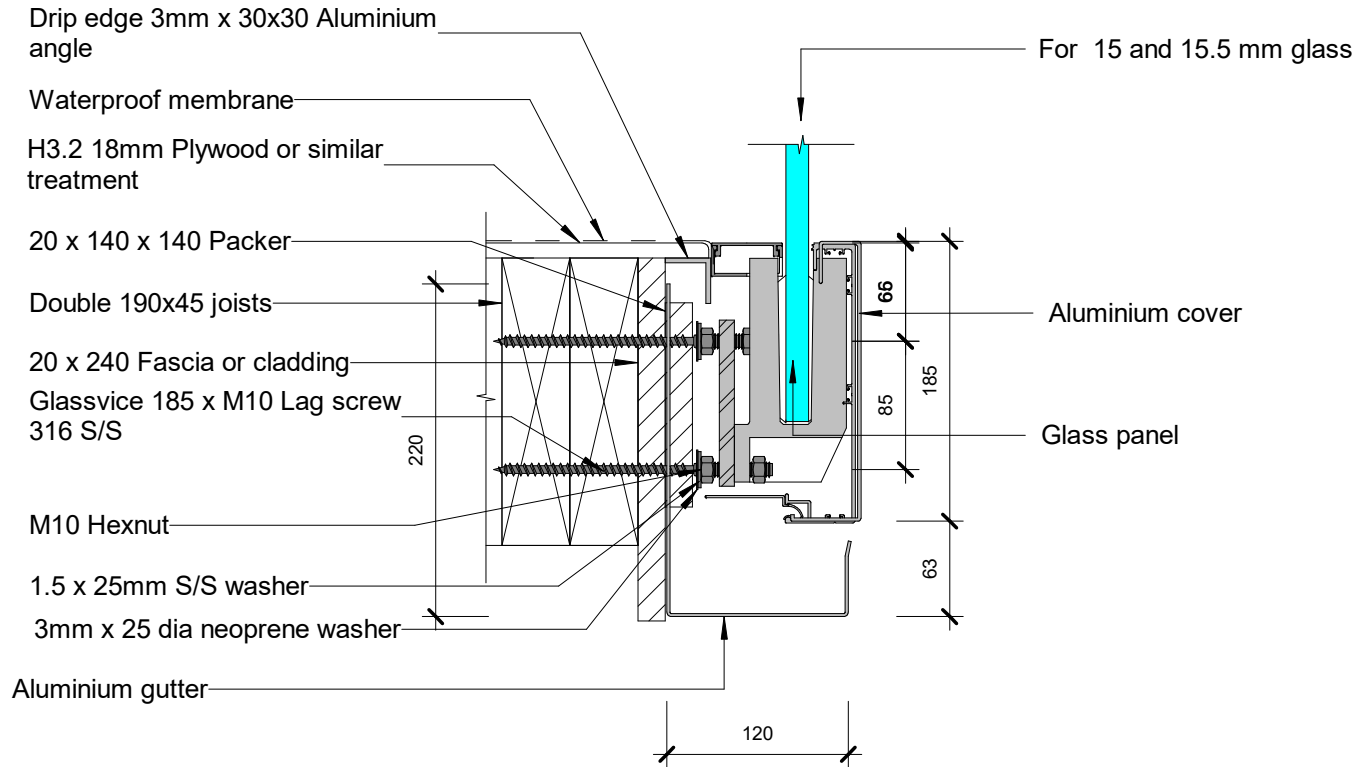
gv_clearline.rvt
All dimensions in millimetres



These drawings relate only to Glass Vice® Clearline and its fixings. All other elements are shown indicative only.

© 2021. The copyright of this document is the property of Glass Vice Limited and shall not be reproduced, copied, loaned or disposed of directly, or indirectly, nor used for any purpose other than that for which it is specifically furnished without prior consent.

gv_clearline.rvt
All dimensions in millimetres



These drawings relate only to Glass Vice® Clearline and its fixings. All other elements are shown indicative only.

© 2021. The copyright of this document is the property of Glass Vice Limited and shall not be reproduced, copied, loaned or disposed of directly, or indirectly, nor used for any purpose other than that for which it is specifically furnished without prior consent.

gv_clearline.rvt
All dimensions in millimetres



Glass Vice® Clearline

Glass Vice® Clearline

Clearline with Aluminium Gutter - 220 x 110mm



PRODUCER STATEMENT	
DESIGN <input checked="" type="checkbox"/>	DESIGN REVIEW <input type="checkbox"/>
REVIEWED FOR SPECIFICALLY DESIGNED STRUCTURAL CONTENT ONLY AS DESCRIBED IN CALCULATIONS ONLY	

Date: Sep 2021
Scale: 1 : 5
1.0

Quick Code:

www.glassvice.com
Phone +64 9 414 6565
info@glassvice.com

GV_5CL_DET_WBD20

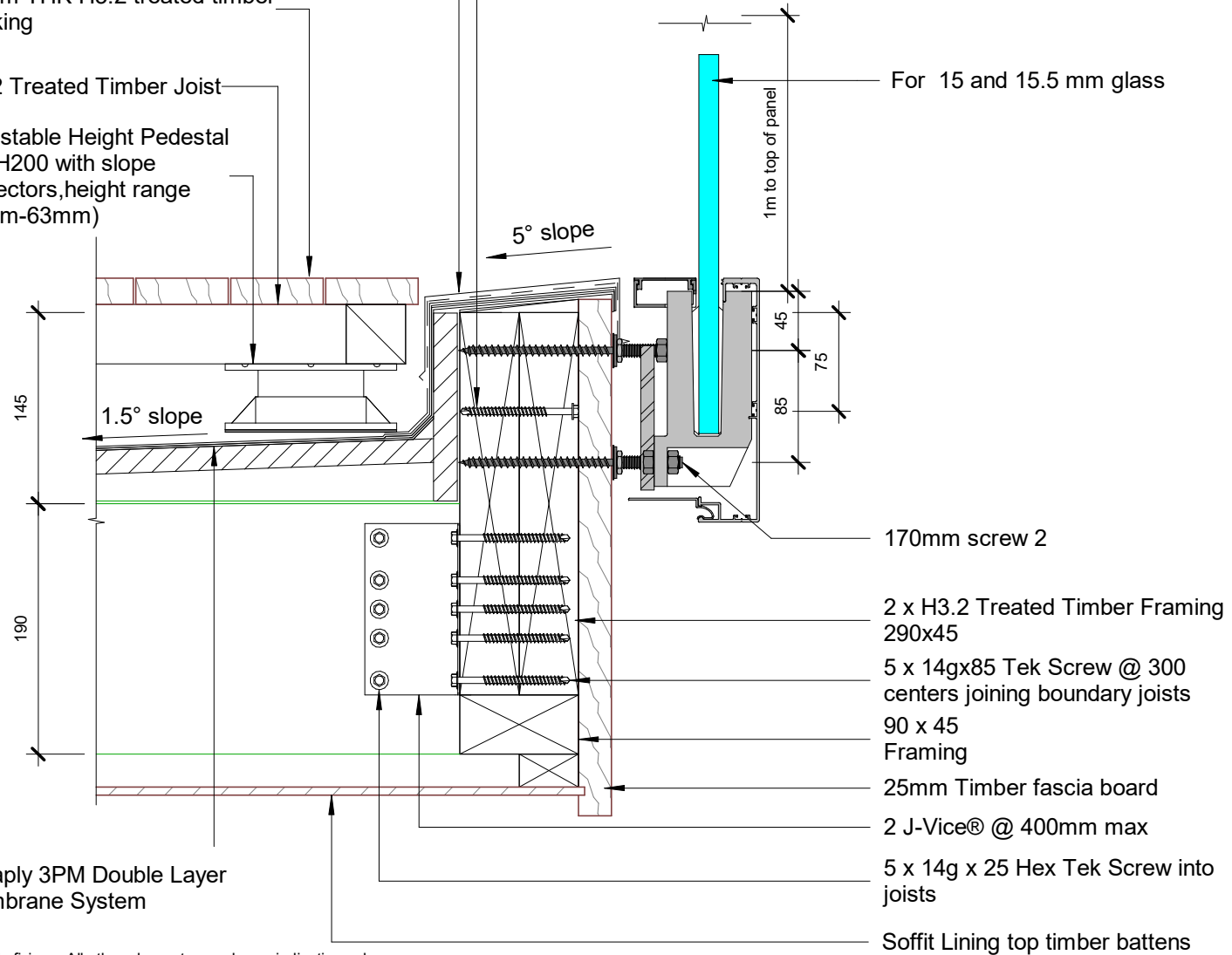
14gx85 Tek Screw @ 300 centers
joining boundary joists

Cap flashing all 3 sides on timber
packer to fall

25mm THK H3.2 treated timber
decking

H3.2 Treated Timber Joist

Adjustable Height Pedestal
(DPH200 with slope
correctors,height range
45mm-63mm)



For 15 and 15.5 mm glass

170mm screw 2

2 x H3.2 Treated Timber Framing
290x45

5 x 14gx85 Tek Screw @ 300
centers joining boundary joists

90 x 45
Framing

25mm Timber fascia board

2 J-Vice® @ 400mm max

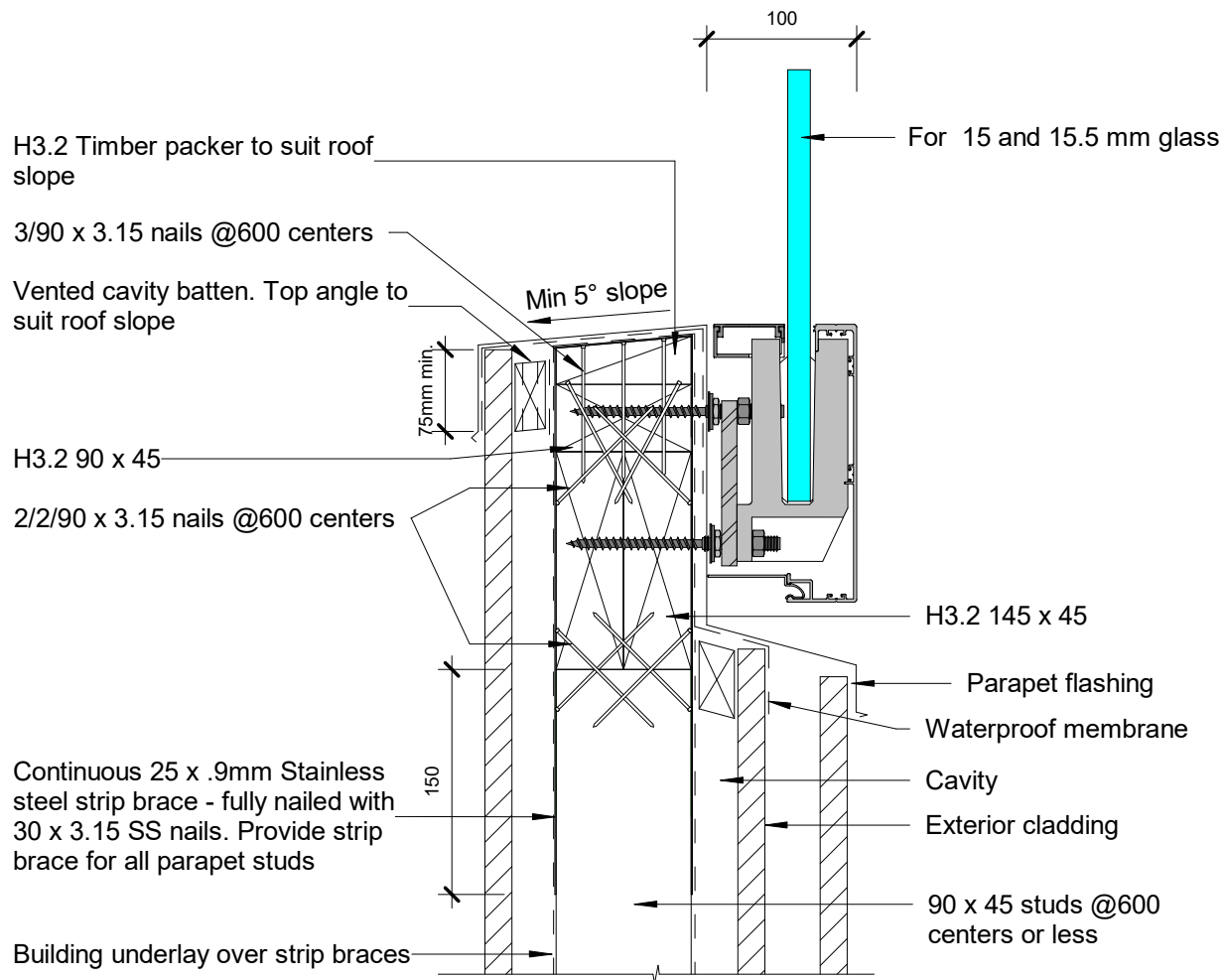
5 x 14g x 25 Hex Tek Screw into
joists

Soffit Lining top timber battens

These drawings relate only to Glass Vice® Clearline and its fixings. All other elements are shown indicative only.

© 2021. The copyright of this document is the property of Glass Vice Limited and shall not be reproduced, copied, loaned or disposed of directly, or indirectly, nor used for any purpose other than that for which it is specifically furnished without prior consent.

gv_clearline.rvt
All dimensions in millimetres



These drawings relate only to Glass Vice® Clearline and its fixings. All other elements are shown indicative only.

© 2021. The copyright of this document is the property of Glass Vice Limited and shall not be reproduced, copied, loaned or disposed of directly, or indirectly, nor used for any purpose other than that for which it is specifically furnished without prior consent.

gv_clearline.rvt
All dimensions in millimetres