

Sheet List

Sheet Number	Sheet Name	Project Issue Date	Sheet Title
GV_0IND_1TSG_12mm_FENC	Index - Glass Vice 12 mm TSG Residential Pool Fence	May 2021	Glass Vice®
GV_1TSG_12mm_FENC	Glass Vice 12 mm TSG Residential Pool Fence Table	May 2021	Glass Vice®
GV_1TSG_12mm_FENC_ELE	Glass Vice 12 mm TSG Residential Pool Fence Elevation	May 2021	Glass Vice®
GV_4DET_AB01	Concrete - Bracket Detail	May 2021	Glass Vice®
GV_4DET_AB02	Sheet Cladding	May 2021	Glass Vice®
GV_4DET_AB02a	Sheet Cladding	May 2021	Glass Vice®
GV_4DET_AB03	Nib	May 2021	Glass Vice®
GV_4DET_AB03a	Nib	May 2021	Glass Vice®
GV_4DET_AB05	Timber Slat Deck	May 2021	Glass Vice®
GV_4DET_AB05a	Timber Slat Deck	May 2021	Glass Vice®
GV_4DET_AB06	Weatherboard With Nib	May 2021	Glass Vice®
GV_4DET_AB06a	Weatherboard With Nib	May 2021	Glass Vice®
GV_4DET_AB07	Stainless Gutter	May 2021	Glass Vice®
GV_4DET_AB07a	Stainless Gutter	May 2021	Glass Vice®
GV_4DET_DF01	Concrete - Top Fix	May 2021	Glass Vice®
GV_4DET_DF02	Decking - Top Fix	May 2021	Glass Vice®
GV_4DET_SB02	Decking - Top Fix	May 2021	Glass Vice®
GV_5DET_AB08	Architectural Deck Bracket Elevation	May 2021	Glass Vice®
GV_5DET_AB09	Architectural Deck Bracket Detail	May 2021	Glass Vice®

Grand total: 19



**Glass Vice®**  
Residential Barriers

Index - Glass Vice 12 mm TSG Residential Pool Fence

Date: May 2021  
Scale:

www.glassvice.com  
Phone +64 9 414 6565  
info@glassvice.com

Quick Code:

**GV\_0IND\_1TSG\_12mm\_FENC**

**Glass Vice 12 mm TSG Residential Pool Fence with Two Standard Clamps at 300 mm End Distances – Summary to be read with full detailed drawings**

<b>Fence Height</b>	1200 mm				
<b>Glass</b>	12 mm Toughened Safety Glass				
<b>Rail</b>	Optional: Interlinking Top Cap Rail: 25x21 mm U-shaped Stainless Steel 'Nano-rail'				
<b>Occupancy Type – Fence only (fall less than 1 m)</b>	AS/NZS 1170.1:2002-A2 Table 3.3 Occupancy Type A – residential excluding external				
	Top Edge			Infill	
	Horizontal	Vertical	In, out or down	Horizontal	Any Direction
	0.35 kN/m	0.35 kN/m	0.6 kN	0.5 kPa	0.25 kN
<b>Max Wind Zone</b>	High wind zone as per NZS 3604:2011				
<b>Clamps – 316 SS</b>	<b>AB</b> Architectural Bracket		<b>DF</b> Direct Fix	<b>SB</b> Direct Fix + S-Bracket	
<b>Fixing into Timber</b>	External (wet) timber:  (AB05): <i>OPTION A: 1700 wide panel</i> 2M10 S.S. lagscrews 135 mm penetration (exc. tip) Min 90 mm vertical spacing	Internal (dry) timber:  (AB02,3,6,7): <i>OPTION A: 1800 wide panel</i> 2M10 S.S. lagscrews 135 mm penetration (exc. tip) Min 90 mm vertical spacing	(DF02) <i>1700 wide panel</i> 2M10 threaded rods 130 mm penetration 57 mm spacing Hilti HIT-RE 500 V3 epoxy	Min 140 mm deep timbers:  (SB02) <i>1800 wide panel</i> 2M10 threaded rods in Direct Fix 130 mm penetration 57 mm spacing Hilti HIT-RE 500 V3 epoxy	Min 90 mm deep timbers:  N/A
	(AB05a): <i>OPTION B: 1100 wide panel</i> 2M10 S.S. lagscrews 90 mm penetration (exc. tip) Min 90 mm spacing	(AB02a,3a,6a,7a): <i>OPTION B: 1600 wide panel</i> 2M10 S.S. lagscrews 90 mm penetration (exc. tip) Min 90 mm vertical spacing		PLUS  2M10 S.S. lagscrews in S-Bracket 90 mm penetration (exc. tip)	
<b>Fixing into Concrete</b>	(AB01) <i>1700 wide panel</i> 2M10 Threaded rods Hilti HIT-RE 500 V3 epoxy Min 150 mm penetration Min 70 mm spacing Min 45 mm edge distance		(DF01) <i>1800 wide panel</i> Hilti HIT-RE 500 V3 epoxy Min 100 mm penetration 57 mm spacing Min 60 mm edge distance	N/A	

© 2021. The copyright of this document is the property of Glass Vice Limited and shall not be reproduced, copied, loaned or disposed of directly, or indirectly, nor used for any purpose other than that for which it is specifically furnished without prior consent.

gv\_glassvice.rvt  
All dimensions in millimetres



**Glass Vice®**  
Residential Pool Fences

Glass Vice 12 mm TSG Residential Pool Fence Table  
Glass Vice 12 mm TSG Residential Pool Fence with Two Standard Clamps at 300 mm End Distances

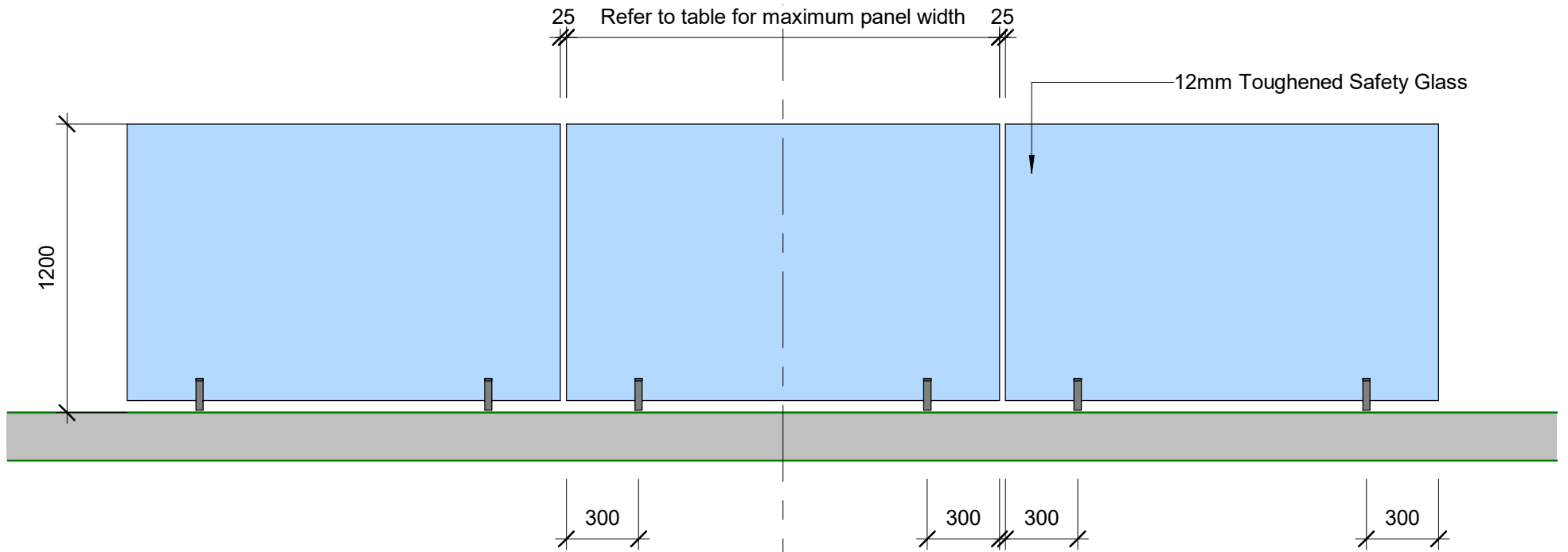
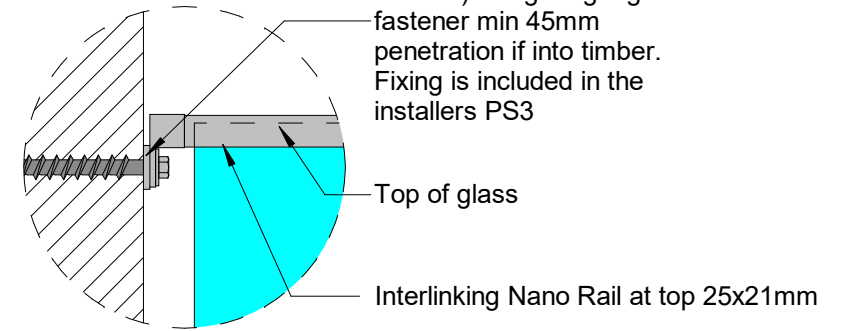
Date: May 2021  
Scale: 1 : 1

www.glassvice.com  
Phone +64 9 414 6565  
info@glassvice.com

Quick Code:

**GV\_1TSG\_12mm\_FENC**

Weather tight fitting (neoprene washer and silicone) using 14 gauge fastener min 45mm penetration if into timber. Fixing is included in the installers PS3



GlassVice 12 TSG Residential Pool Fence

© 2021. The copyright of this document is the property of Glass Vice Limited and shall not be reproduced, copied, loaned or disposed of directly, or indirectly, nor used for any purpose other than that for which it is specifically furnished without prior consent.

gv\_glassvice.rvt  
All dimensions in millimetres



**Glass Vice®**  
Residential Pool Fences

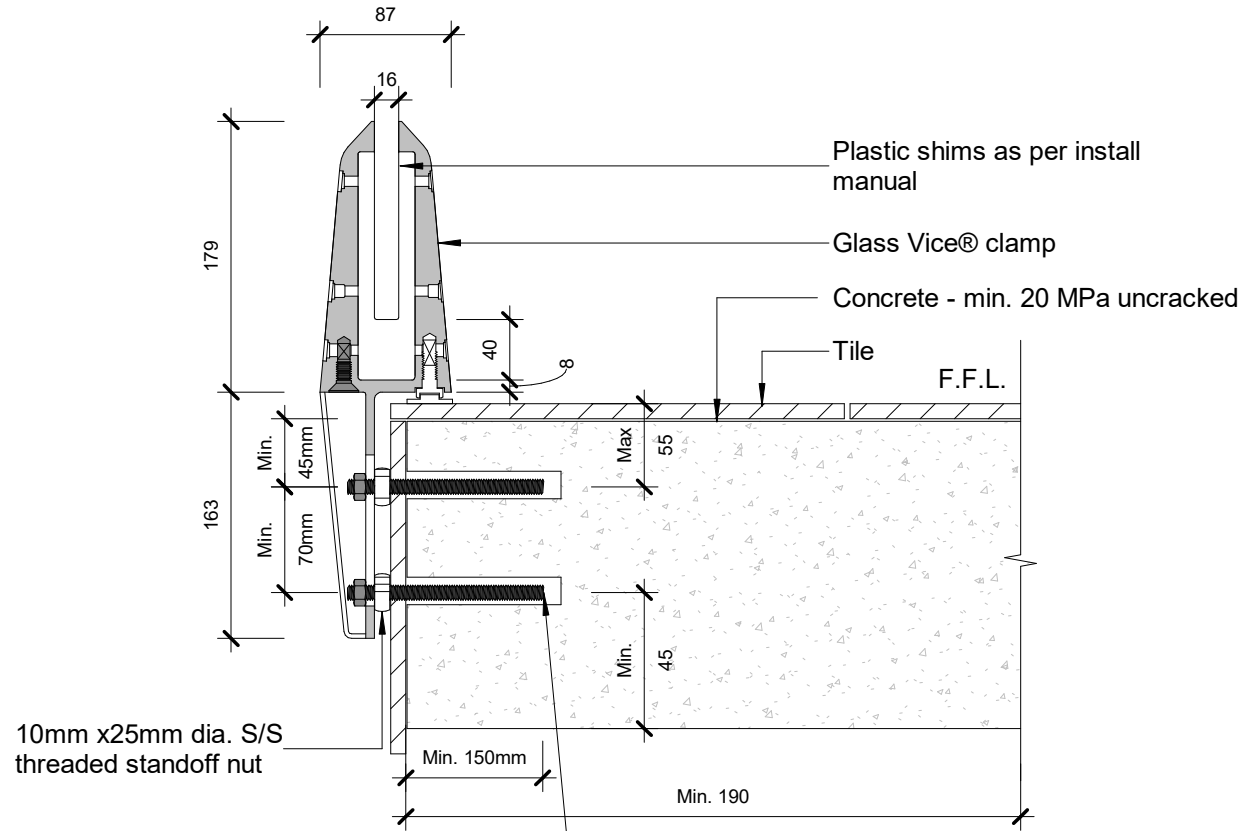
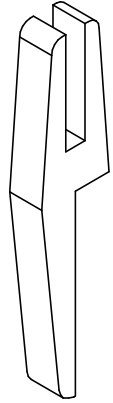
Glass Vice 12 mm TSG Residential Pool Fence Elevation  
Glass Vice 12 mm TSG Residential Pool Fence with Two Standard Clamps at 300 mm End Distances

Date: May 2021  
Scale: As indicated

www.glassvice.com  
Phone +64 9 414 6565  
info@glassvice.com

Quick Code:

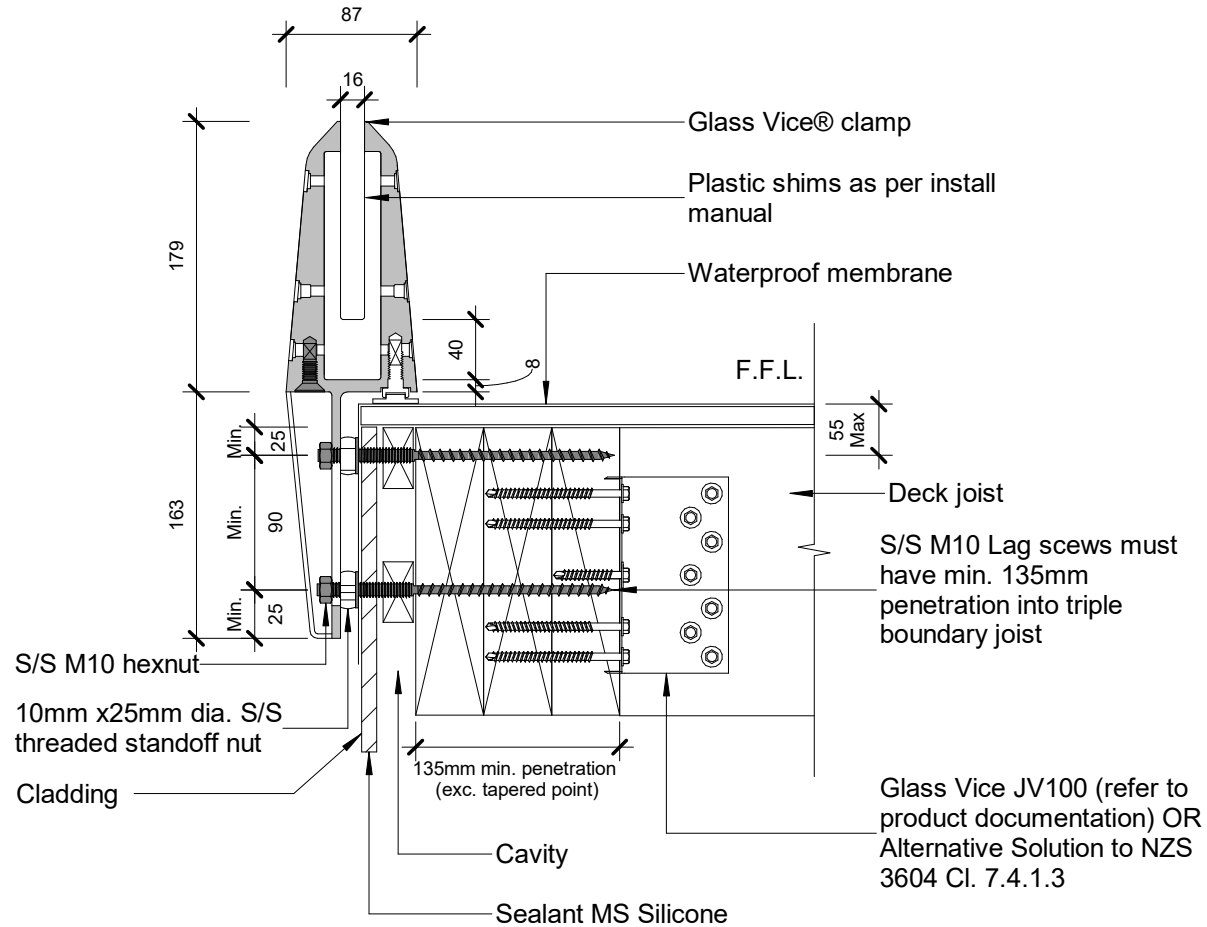
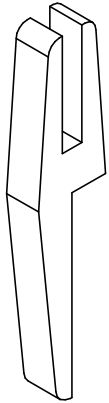
**GV\_1TSG\_12mm\_FENC\_ELE**



Supporting structure to resist barrier loads, wind on barrier and any other applicable loads. To be verified by others, barrier loads to AS.NZS 1170.1 : 2002 Table 3.3.

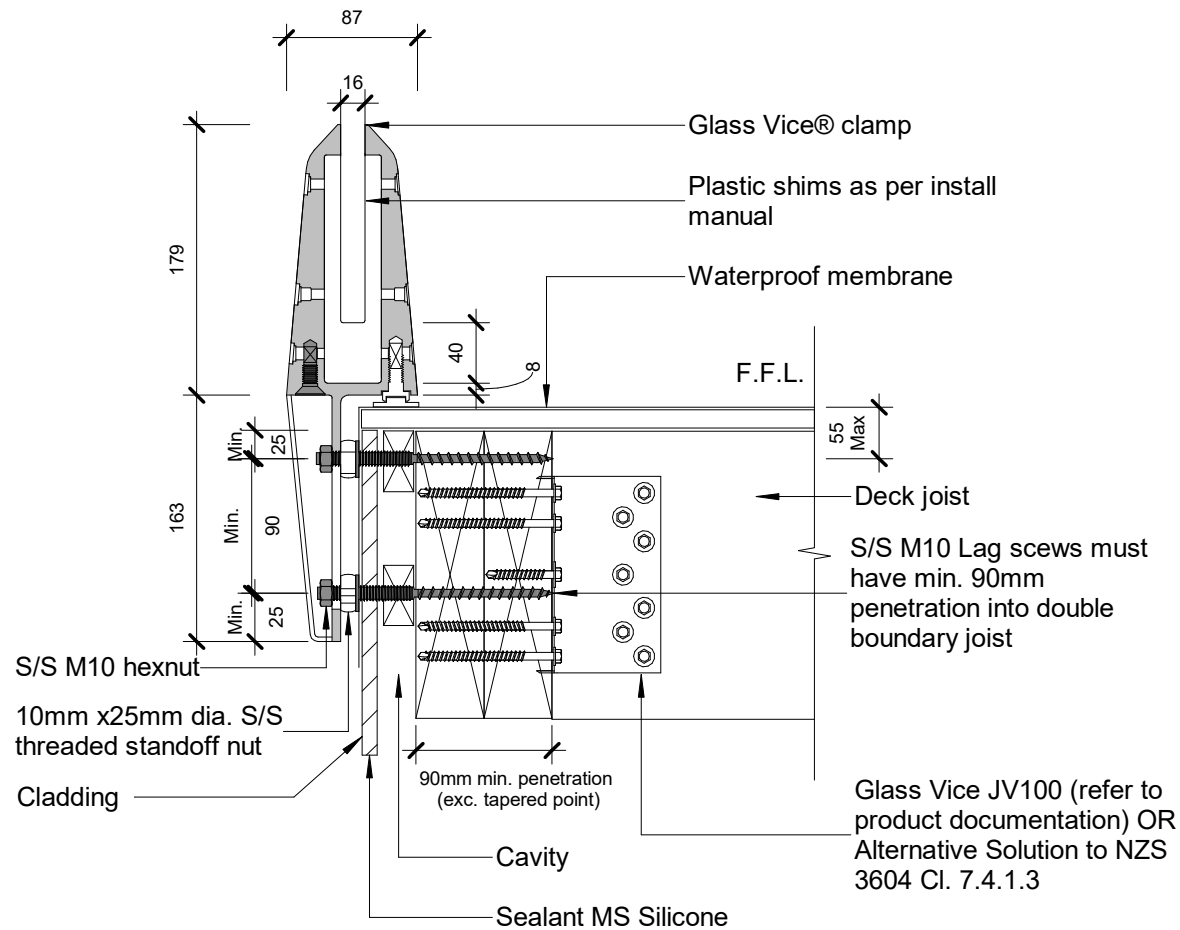
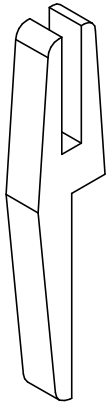
- Barriers: Occupancy Type A - Other Residential
- Fences: Occupancy Type A - Internal

10 dia. S/S Threaded rods set in Hilti HIT-RE 500 V3. Min. 45mm from top/ bottom edge and min. 150mm from ends. Embed min. 150mm into solid concrete to Hilti instructions



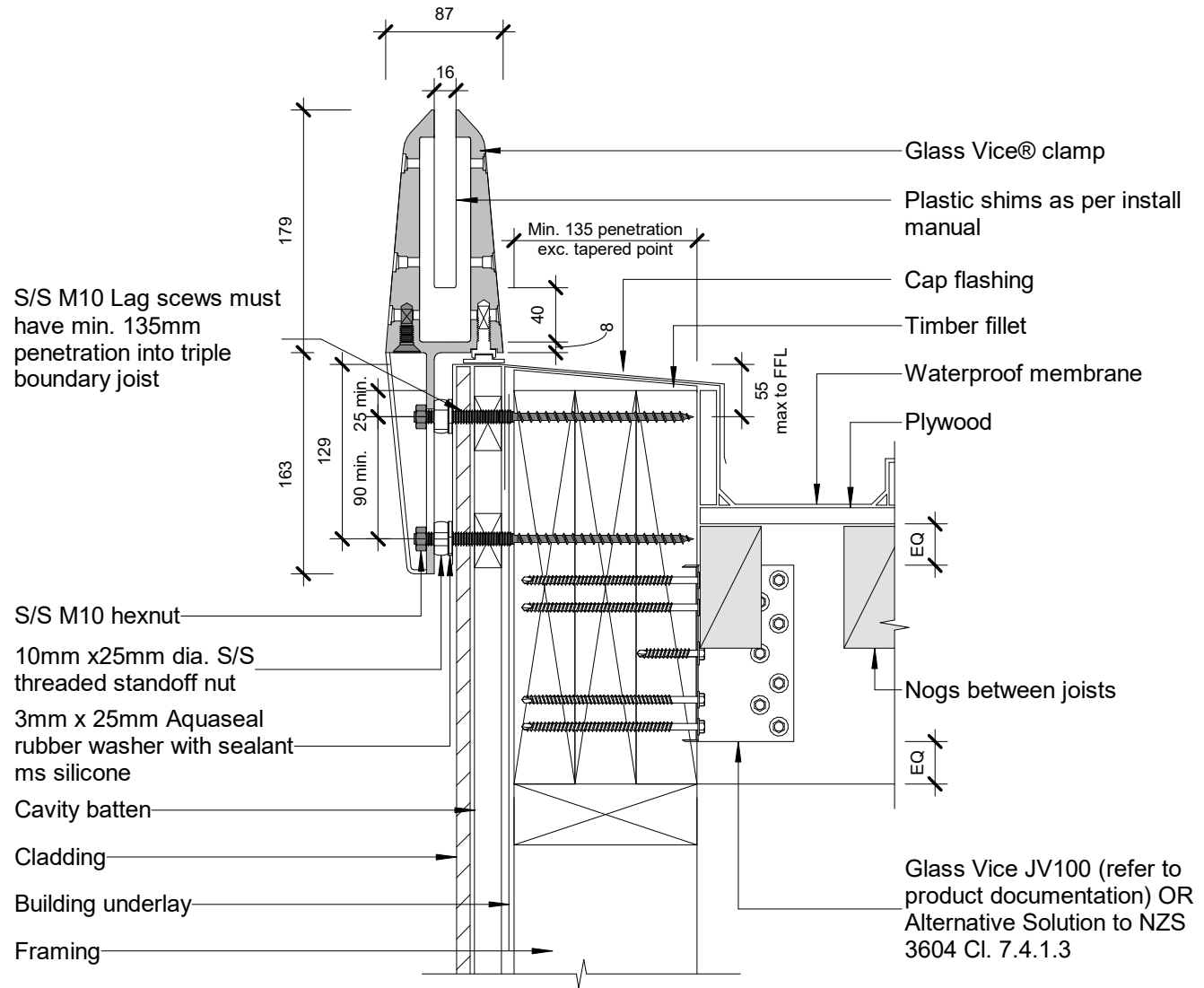
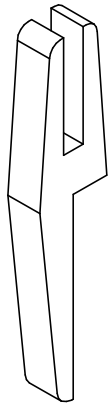
Supporting structure to resist barrier loads, wind on barrier and any other applicable loads. To be verified by others, barrier loads to AS.NZS 1170.1 : 2002 Table 3.3.

- Barriers: Occupancy Type A - Other Residential
- Fences: Occupancy Type A - Internal



Supporting structure to resist barrier loads, wind on barrier and any other applicable loads. To be verified by others, barrier loads to AS.NZS 1170.1 : 2002 Table 3.3.

- Barriers: Occupancy Type A - Other Residential
- Fences: Occupancy Type A - Internal



Supporting structure to resist barrier loads, wind on barrier and any other applicable loads. To be verified by others, barrier loads to AS.NZS 1170.1 : 2002 Table 3.3.

- Barriers: Occupancy Type A - Other Residential
- Fences: Occupancy Type A - Internal

© 2021. The copyright of this document is the property of Glass Vice Limited and shall not be reproduced, copied, loaned or disposed of directly, or indirectly, nor used for any purpose other than that for which it is specifically furnished without prior consent.

gv\_glassvice.rvt  
All dimensions in millimetres



**Glass Vice®**  
Residential Barriers

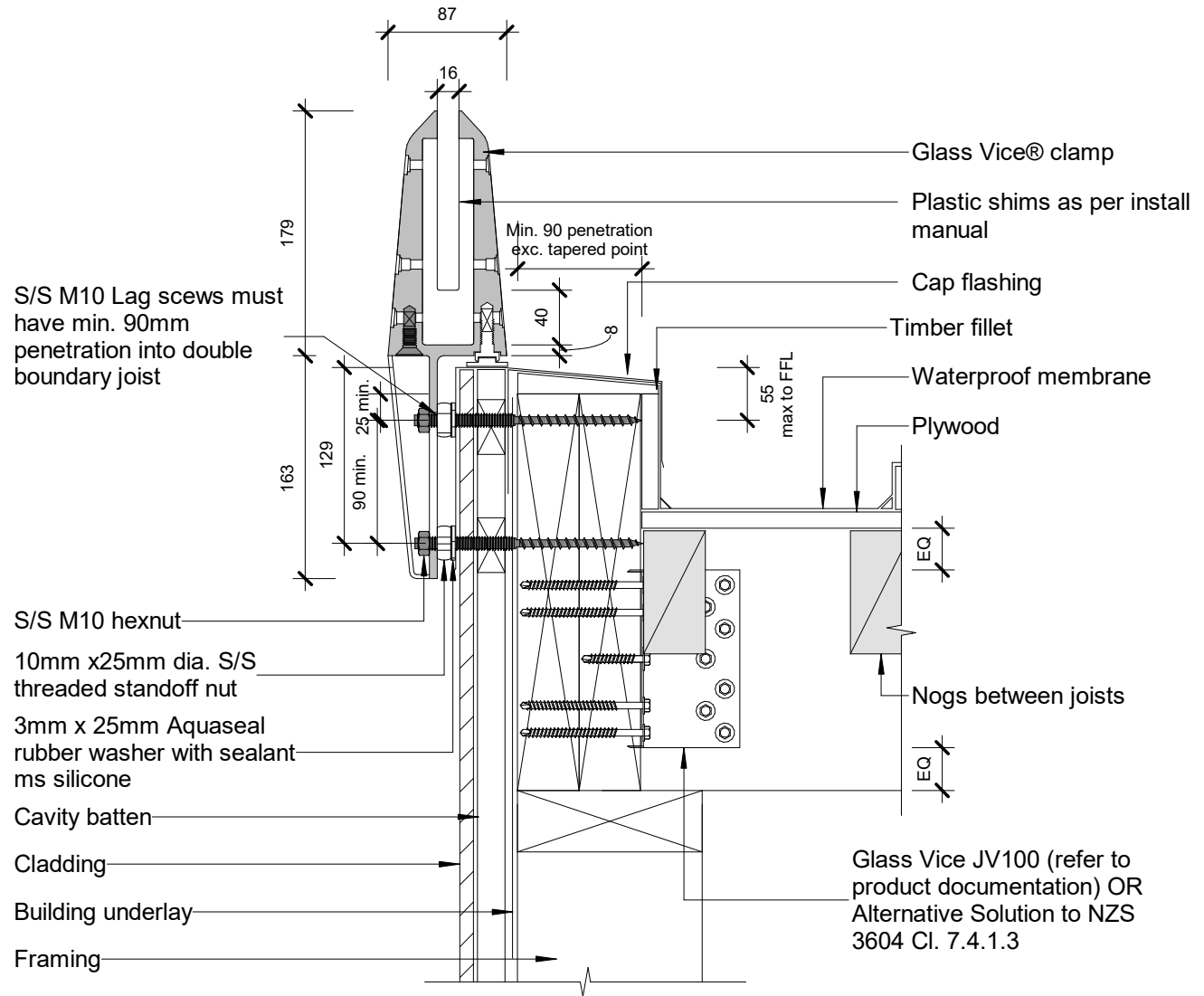
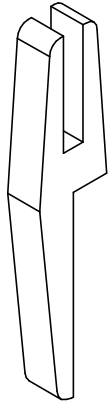
Nib  
Architectural Bracket Fixing Detail

Date: May 2021  
Scale: As indicated

www.glassvice.com  
Phone +64 9 414 6565  
info@glassvice.com

Quick Code:

**GV\_4DET\_AB03**



Supporting structure to resist barrier loads, wind on barrier and any other applicable loads. To be verified by others, barrier loads to AS.NZS 1170.1 : 2002 Table 3.3.

- Barriers: Occupancy Type A - Other Residential
- Fences: Occupancy Type A - Internal

© 2021. The copyright of this document is the property of Glass Vice Limited and shall not be reproduced, copied, loaned or disposed of directly, or indirectly, nor used for any purpose other than that for which it is specifically furnished without prior consent.

gv\_glassvice.rvt  
All dimensions in millimetres



**Glass Vice®**  
Residential Barriers

Nib  
Architectural Bracket Fixing Detail

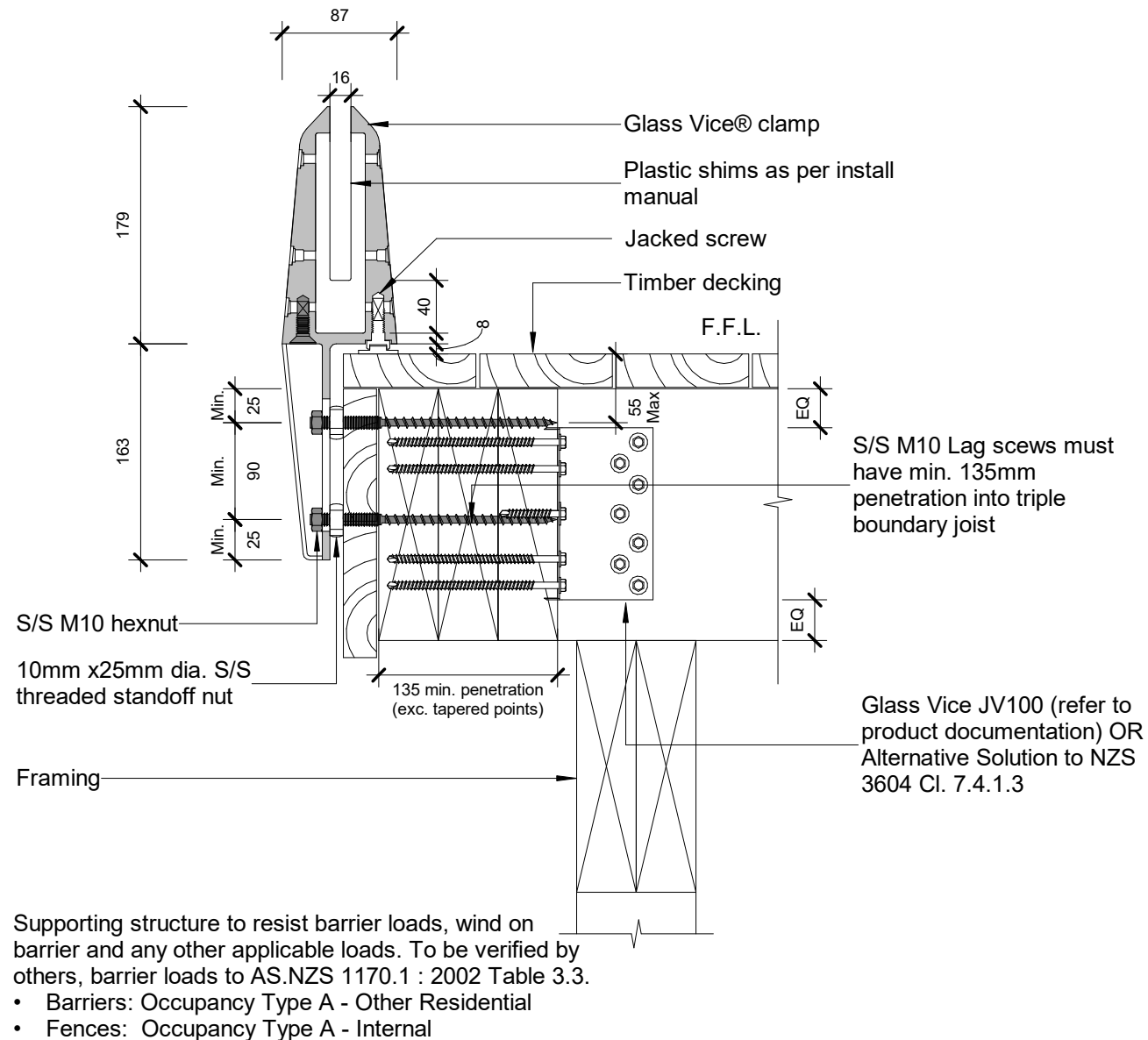
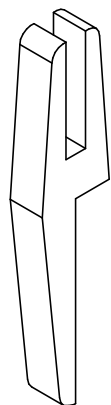
Date: May 2021  
Scale: As indicated

www.glassvice.com  
Phone +64 9 414 6565  
info@glassvice.com

Quick Code:

**GV\_4DET\_AB03a**





© 2021. The copyright of this document is the property of Glass Vice Limited and shall not be reproduced, copied, loaned or disposed of directly, or indirectly, nor used for any purpose other than that for which it is specifically furnished without prior consent.

gv\_glassvice.rvt  
All dimensions in millimetres



**Glass Vice®**  
Residential Barriers

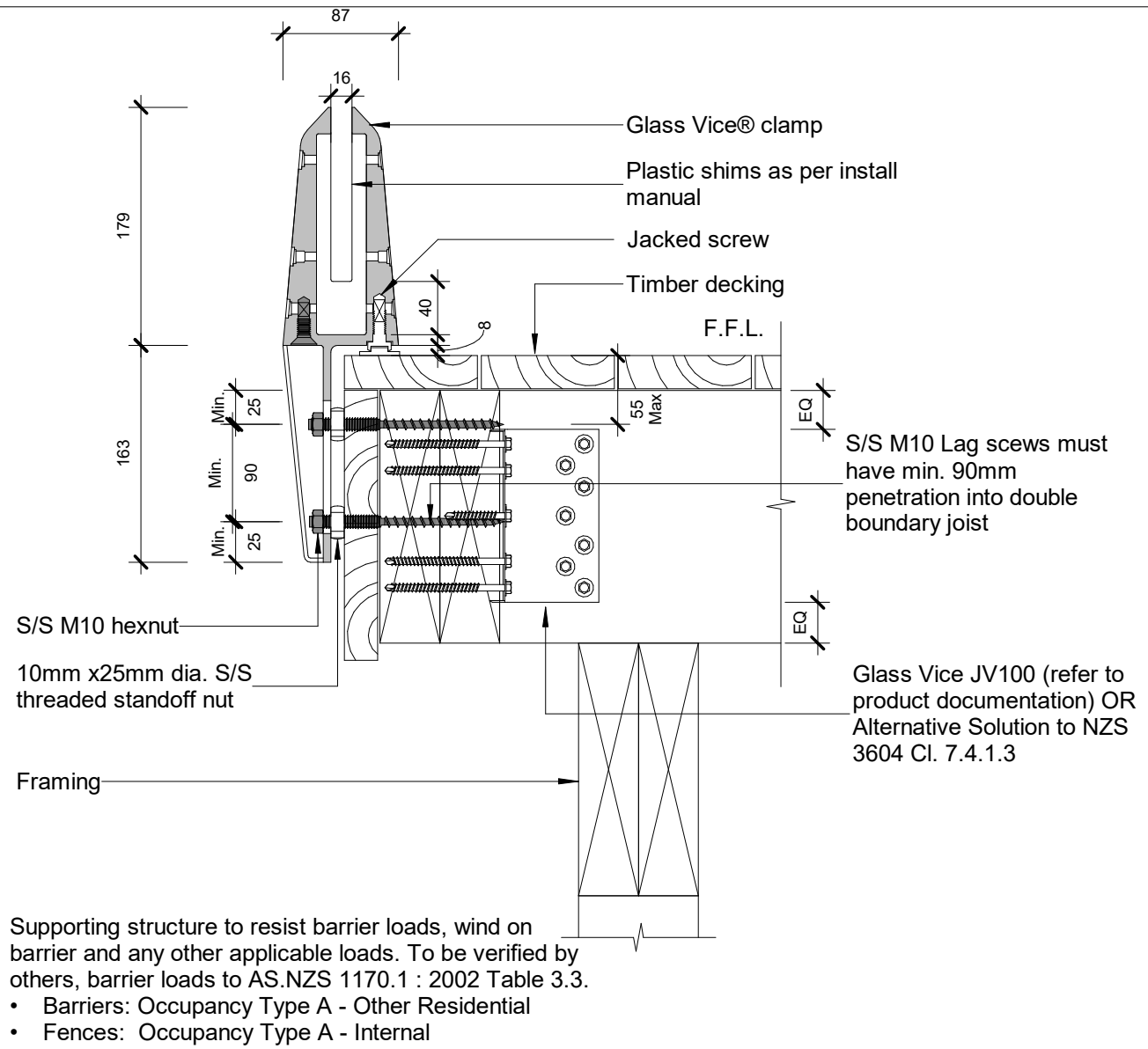
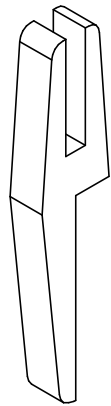
Timber Slat Deck  
Architectural Bracket Fixing Detail

Date: May 2021  
Scale: As indicated

www.glassvice.com  
Phone +64 9 414 6565  
info@glassvice.com

Quick Code:

**GV\_4DET\_AB05**



© 2021. The copyright of this document is the property of Glass Vice Limited and shall not be reproduced, copied, loaned or disposed of directly, or indirectly, nor used for any purpose other than that for which it is specifically furnished without prior consent.

gv\_glassvice.rvt  
All dimensions in millimetres



**Glass Vice®**  
Residential Barriers

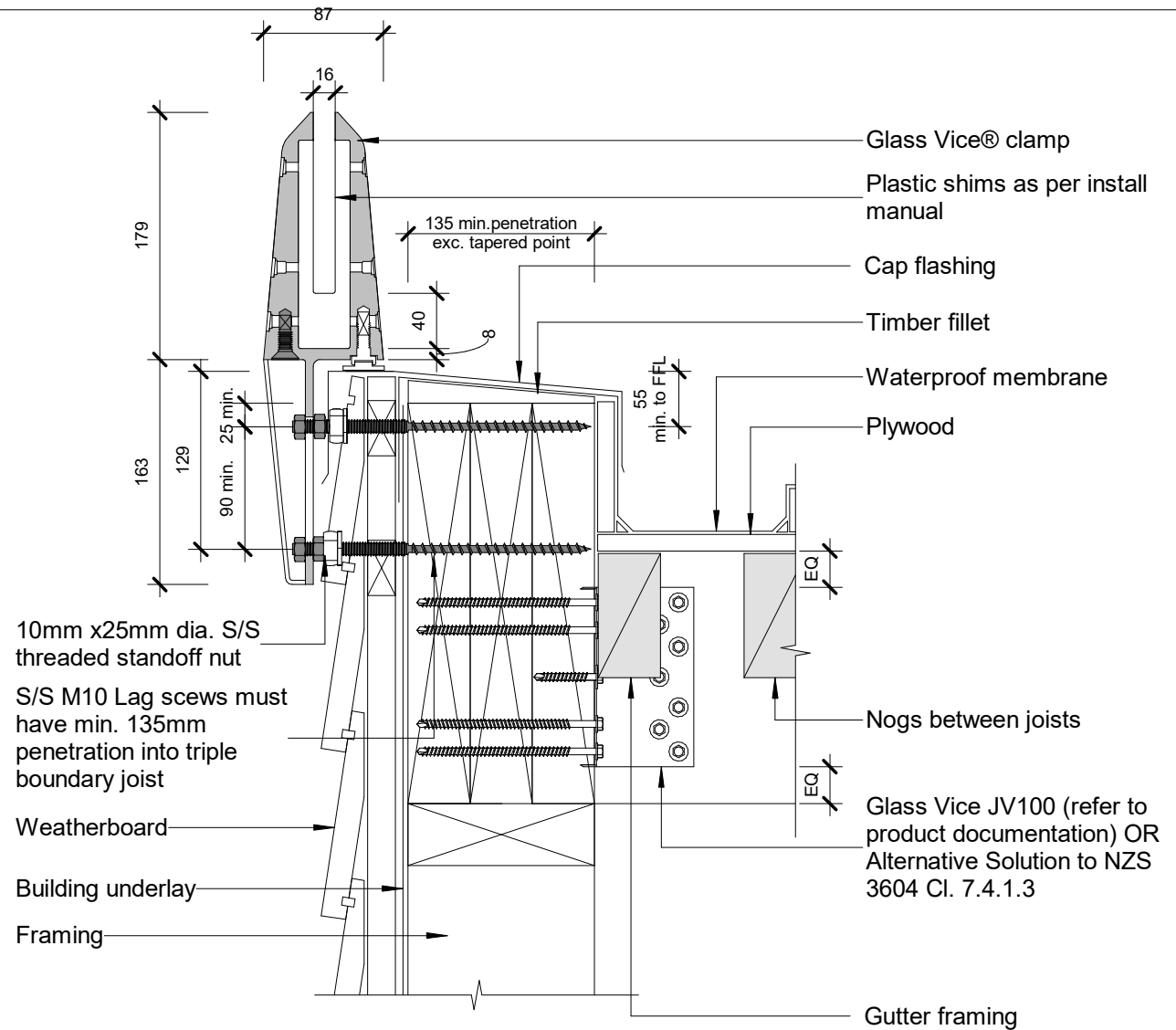
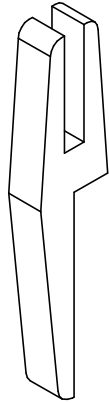
Timber Slat Deck  
Architectural Bracket Fixing Detail

Date: May 2021  
Scale: As indicated

www.glassvice.com  
Phone +64 9 414 6565  
info@glassvice.com

Quick Code:

**GV\_4DET\_AB05a**



Supporting structure to resist barrier loads, wind on barrier and any other applicable loads. To be verified by others, barrier loads to AS.NZS 1170.1 : 2002 Table 3.3.

- Barriers: Occupancy Type A - Other Residential
- Fences: Occupancy Type A - Internal

© 2021. The copyright of this document is the property of Glass Vice Limited and shall not be reproduced, copied, loaned or disposed of directly, or indirectly, nor used for any purpose other than that for which it is specifically furnished without prior consent.

gv\_glassvice.rvt  
All dimensions in millimetres



**Glass Vice®**  
Residential Barriers

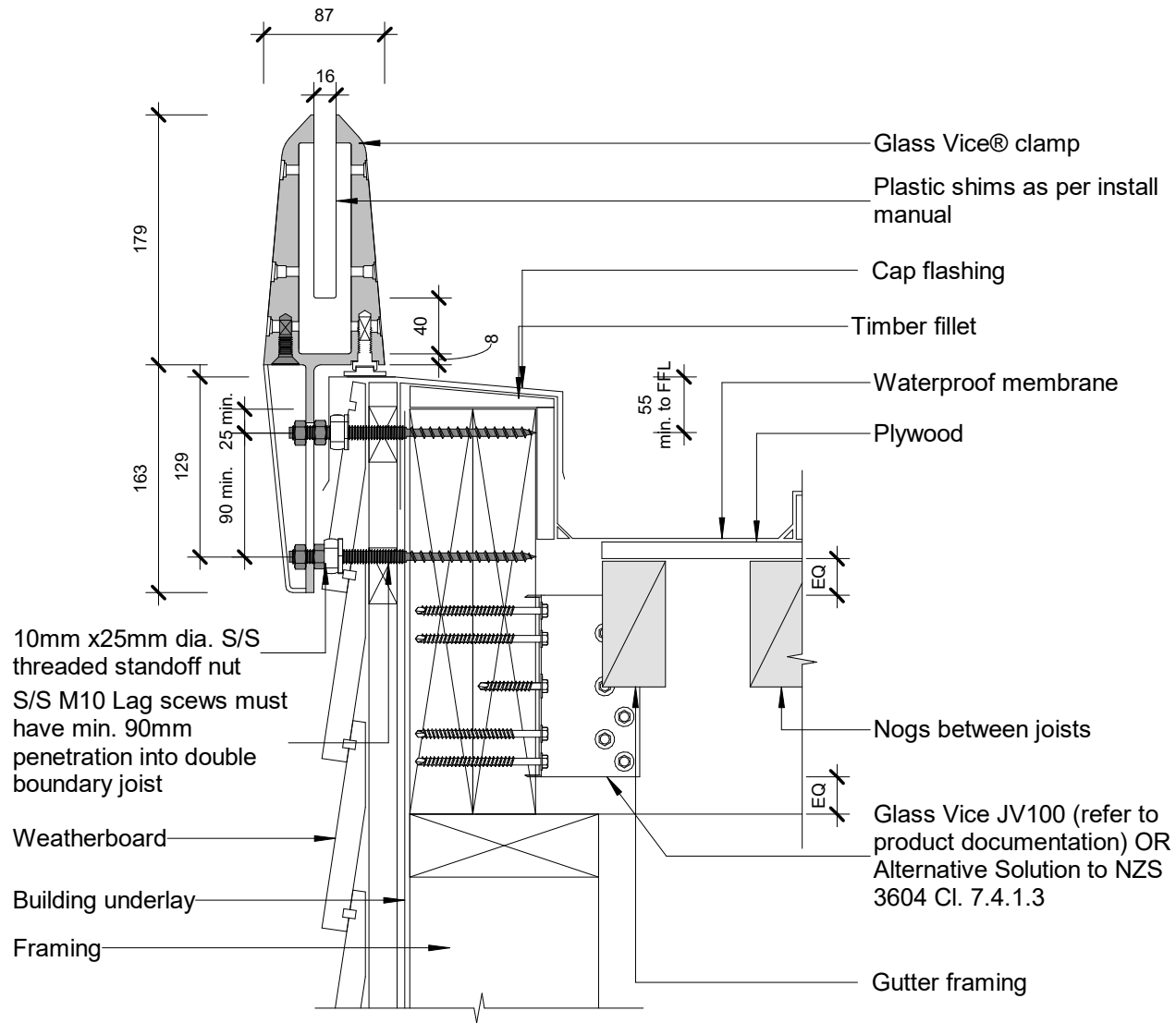
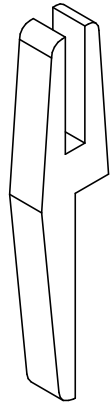
Weatherboard With Nib  
Architectural Bracket Fixing Detail

Date: May 2021  
Scale: As indicated

www.glassvice.com  
Phone +64 9 414 6565  
info@glassvice.com

Quick Code:

**GV\_4DET\_AB06**



Supporting structure to resist barrier loads, wind on barrier and any other applicable loads. To be verified by others, barrier loads to AS.NZS 1170.1 : 2002 Table 3.3.

- Barriers: Occupancy Type A - Other Residential
- Fences: Occupancy Type A - Internal

© 2021. The copyright of this document is the property of Glass Vice Limited and shall not be reproduced, copied, loaned or disposed of directly, or indirectly, nor used for any purpose other than that for which it is specifically furnished without prior consent.

gv\_glassvice.rvt  
All dimensions in millimetres



**Glass Vice®**  
Residential Barriers

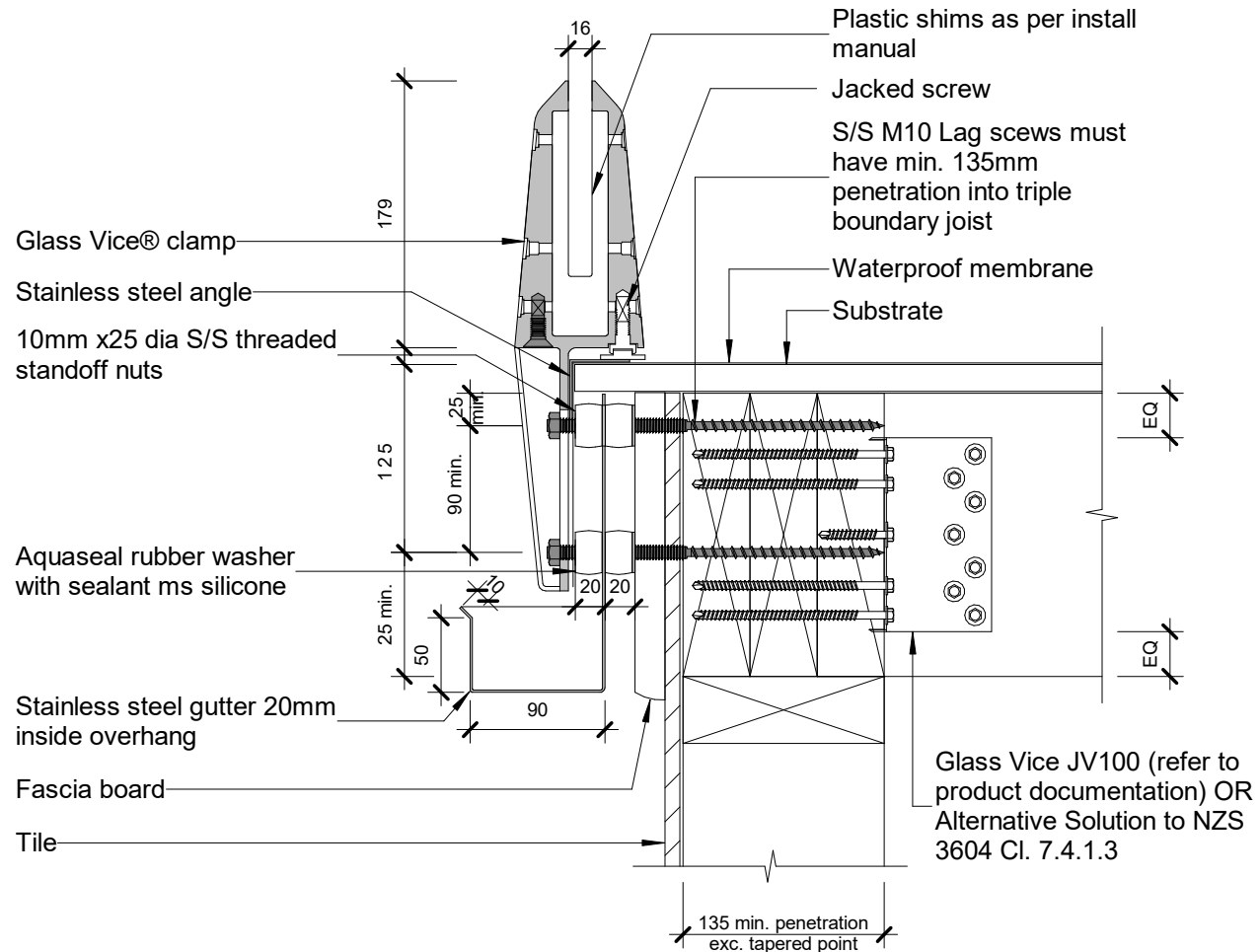
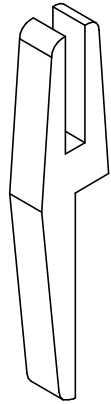
Weatherboard With Nib  
Architectural Bracket Fixing Detail

Date: May 2021  
Scale: As indicated

www.glassvice.com  
Phone +64 9 414 6565  
info@glassvice.com

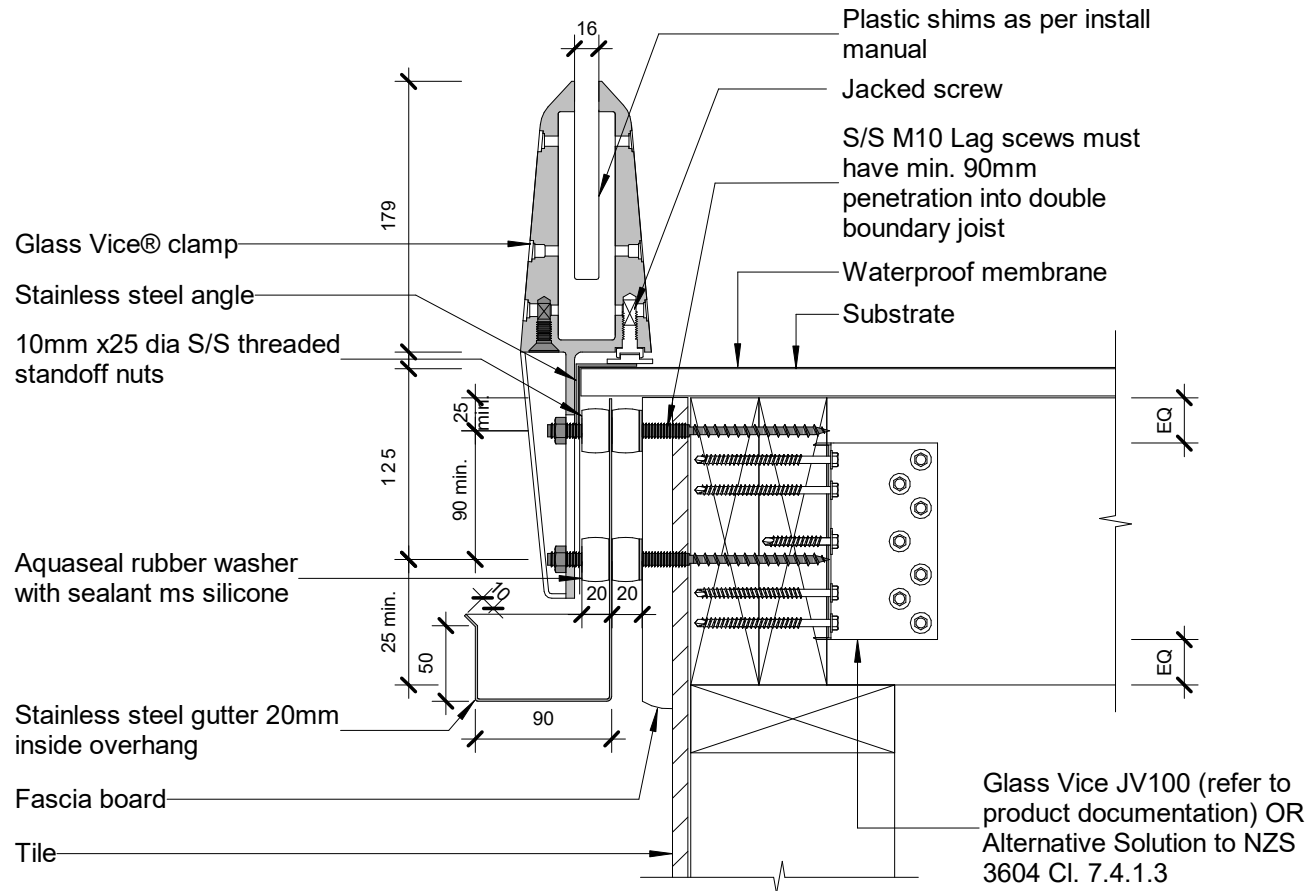
Quick Code:

**GV\_4DET\_AB06a**



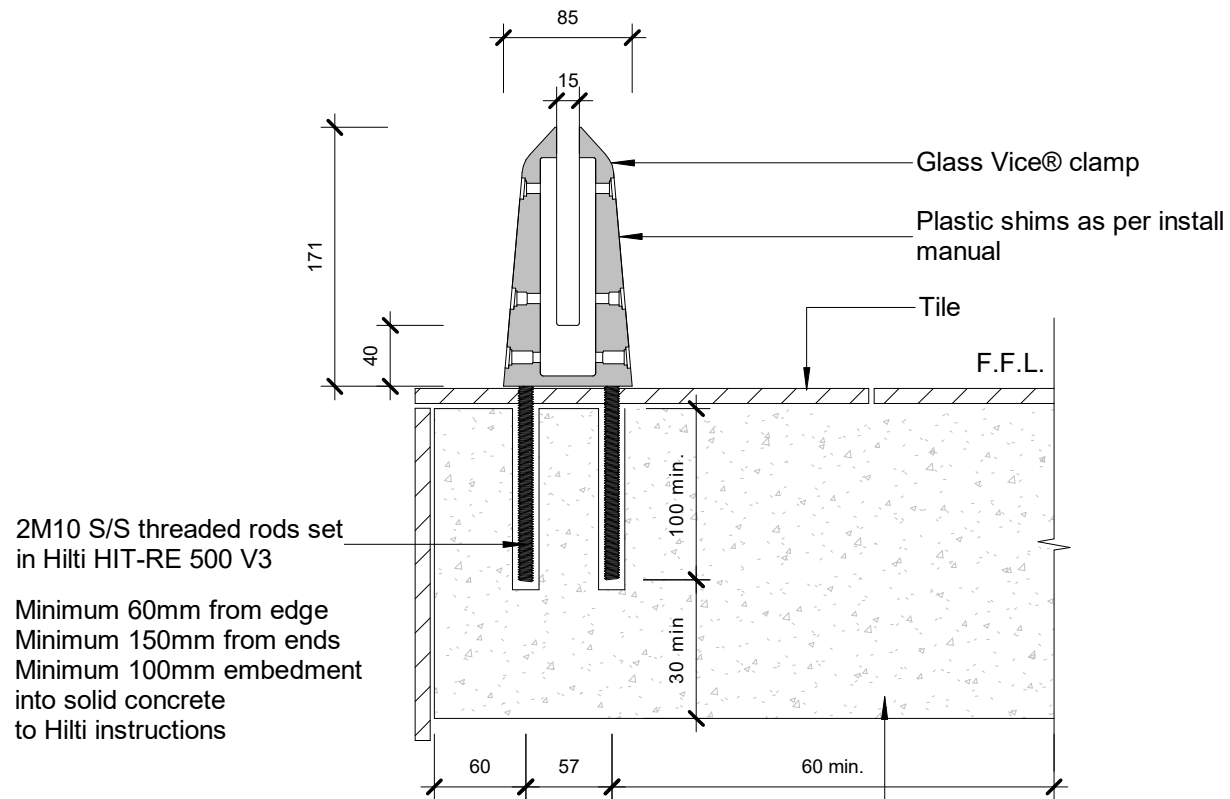
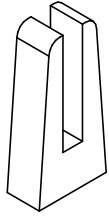
Supporting structure to resist barrier loads, wind on barrier and any other applicable loads. To be verified by others, barrier loads to AS.NZS 1170.1 : 2002 Table 3.3.

- Barriers: Occupancy Type A - Other Residential
- Fences: Occupancy Type A - Internal



Supporting structure to resist barrier loads, wind on barrier and any other applicable loads. To be verified by others, barrier loads to AS.NZS 1170.1 : 2002 Table 3.3.

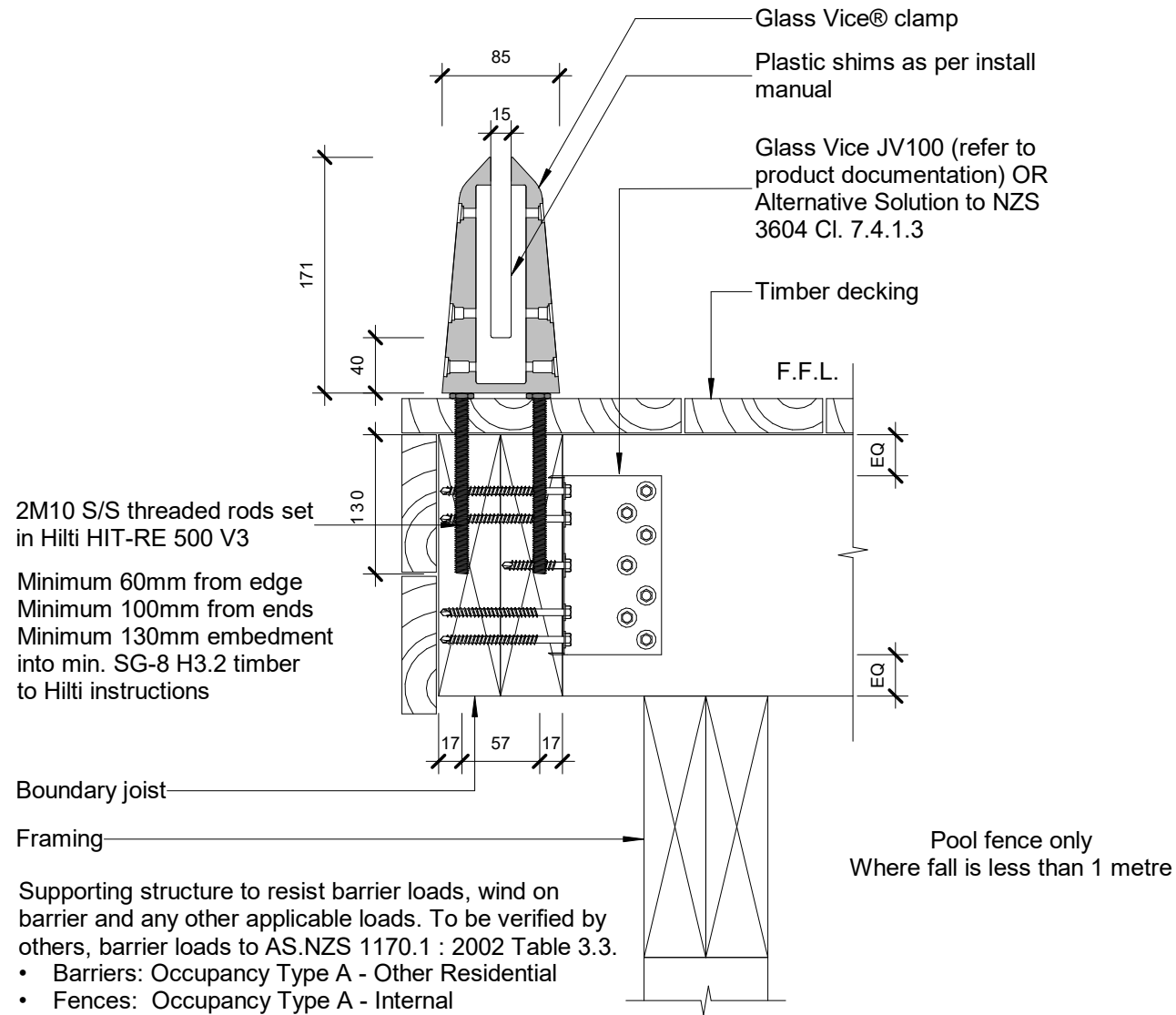
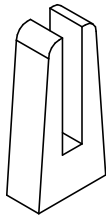
- Barriers: Occupancy Type A - Other Residential
- Fences: Occupancy Type A - Internal



Supporting structure to resist barrier loads, wind on barrier and any other applicable loads. To be verified by others, barrier loads to AS.NZS 1170.1 : 2002 Table 3.3.

- Barriers: Occupancy Type A - Other Residential
- Fences: Occupancy Type A - Internal

Concrete min 20 kPa uncracked



© 2021. The copyright of this document is the property of Glass Vice Limited and shall not be reproduced, copied, loaned or disposed of directly, or indirectly, nor used for any purpose other than that for which it is specifically furnished without prior consent.

gv\_glassvice.rvt  
All dimensions in millimetres



**Glass Vice®**  
Residential Barriers

Decking - Top Fix  
Direct Fix - Fixing Detail

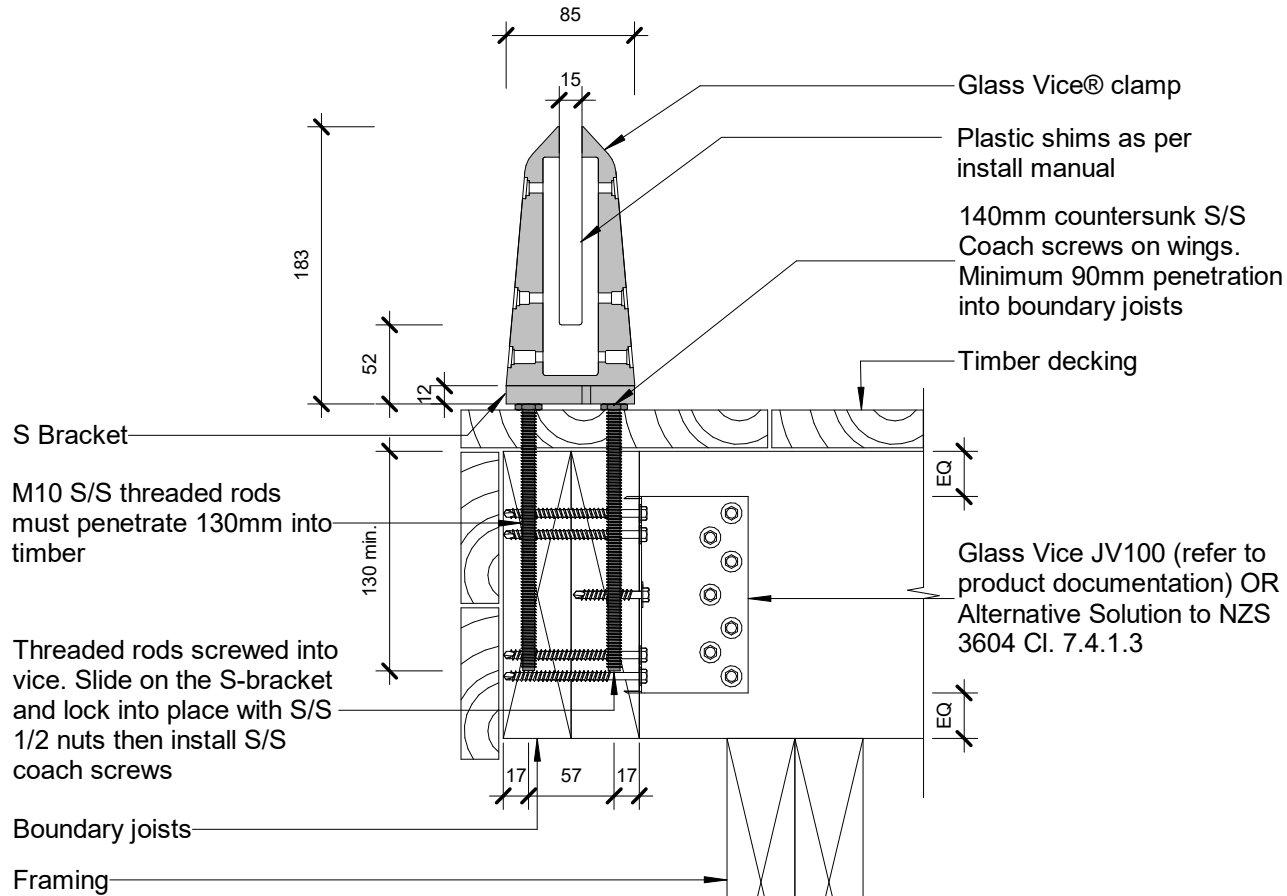
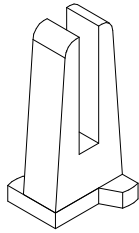
Date: May 2021  
Scale: As indicated

www.glassvice.com  
Phone +64 9 414 6565  
info@glassvice.com

Quick Code:

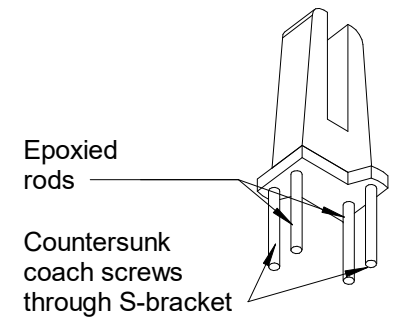
**GV\_4DET\_DF02**





Supporting structure to resist barrier loads, wind on barrier and any other applicable loads. To be verified by others, barrier loads to AS.NZS 1170.1 : 2002 Table 3.3.

- Barriers: Occupancy Type A - Other Residential
- Fences: Occupancy Type A - Internal



© 2021. The copyright of this document is the property of Glass Vice Limited and shall not be reproduced, copied, loaned or disposed of directly, or indirectly, nor used for any purpose other than that for which it is specifically furnished without prior consent.

gv\_glassvice.rvt  
All dimensions in millimetres



**Glass Vice®**  
Residential Barriers

Decking - Top Fix  
S Bracket Fixing Detail

Date: May 2021  
Scale: As indicated

www.glassvice.com  
Phone +64 9 414 6565  
info@glassvice.com

Quick Code:

**GV\_4DET\_SB02**