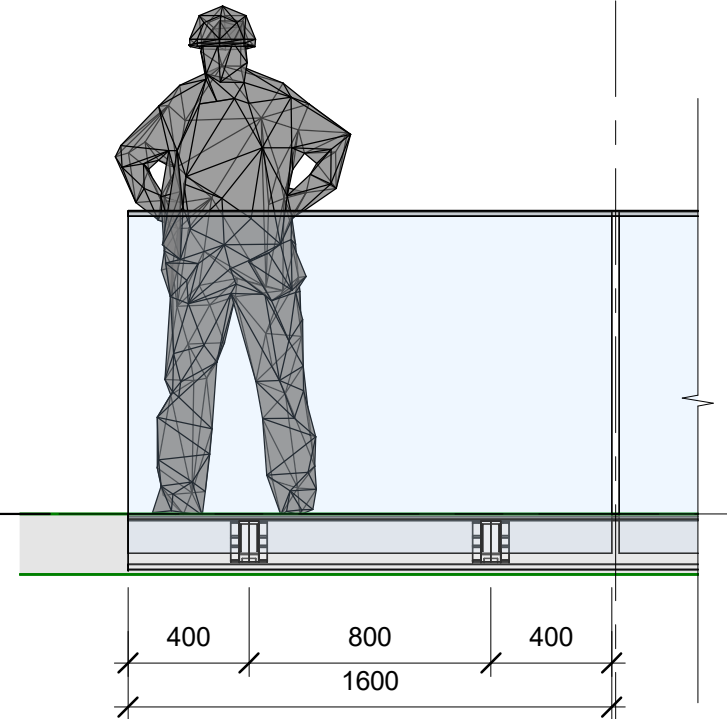
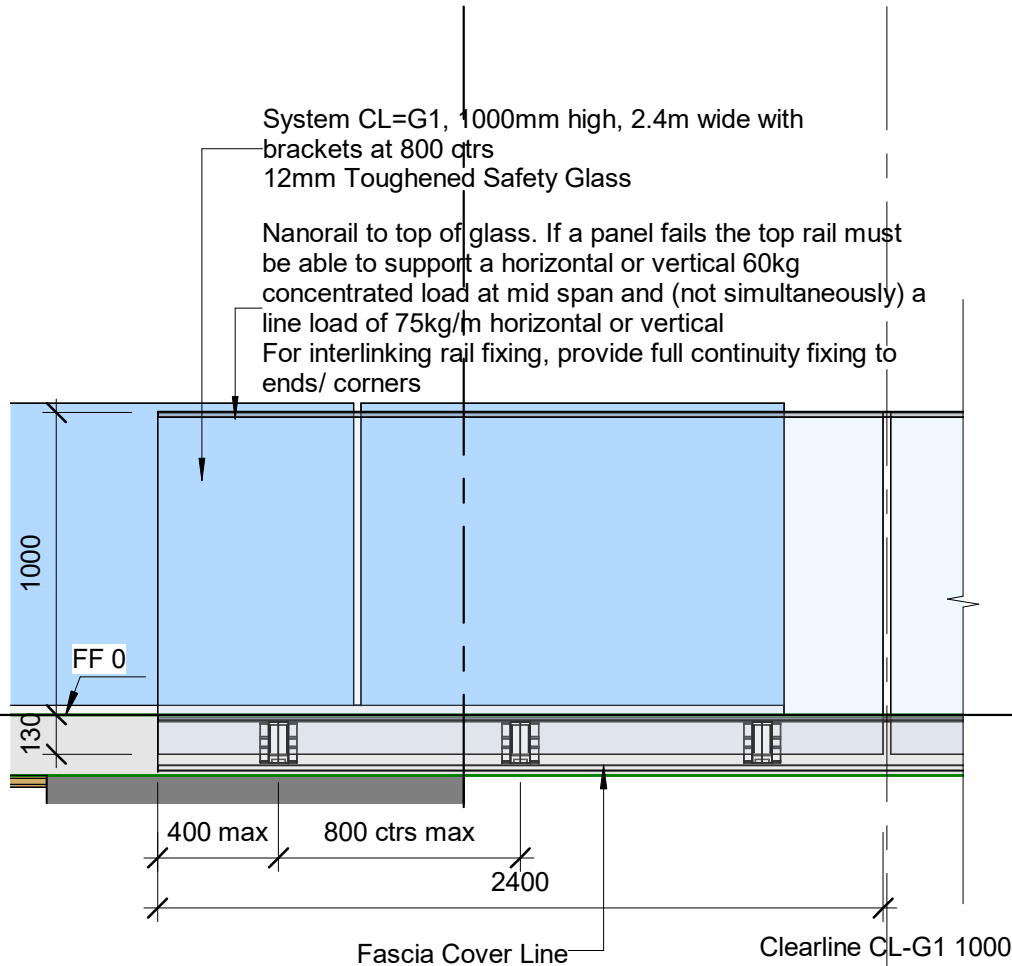


Weather tight fitting (neoprene washer and silicone) using 14 gauge fastener min 45mm penetration if into timber. Fixing is included in the installers PS3

Interlinking Nano Rail at top 25x21mm  
Top of glass

System CL=G1, 1000mm high, 2.4m wide with brackets at 800 qtrs  
12mm Toughened Safety Glass

Nanorail to top of glass. If a panel fails the top rail must be able to support a horizontal or vertical 60kg concentrated load at mid span and (not simultaneously) a line load of 75kg/m horizontal or vertical  
For interlinking rail fixing, provide full continuity fixing to ends/ corners



These drawings relate only to Glass Vice® Clearline and its fixings. All other elements are shown indicative only.

© 2021. The copyright of this document is the property of Glass Vice Limited and shall not be reproduced, copied, loaned or disposed of directly, or indirectly, nor used for any purpose other than that for which it is specifically furnished without prior consent.

gv\_clearline.rvt  
All dimensions in millimetres



# Glass Vice® Clearline

Glass Vice® Clearline

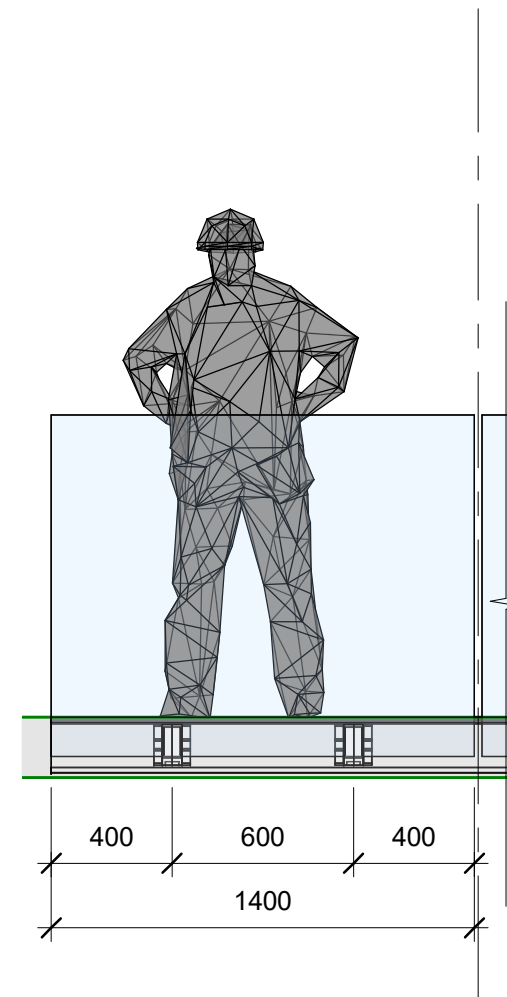
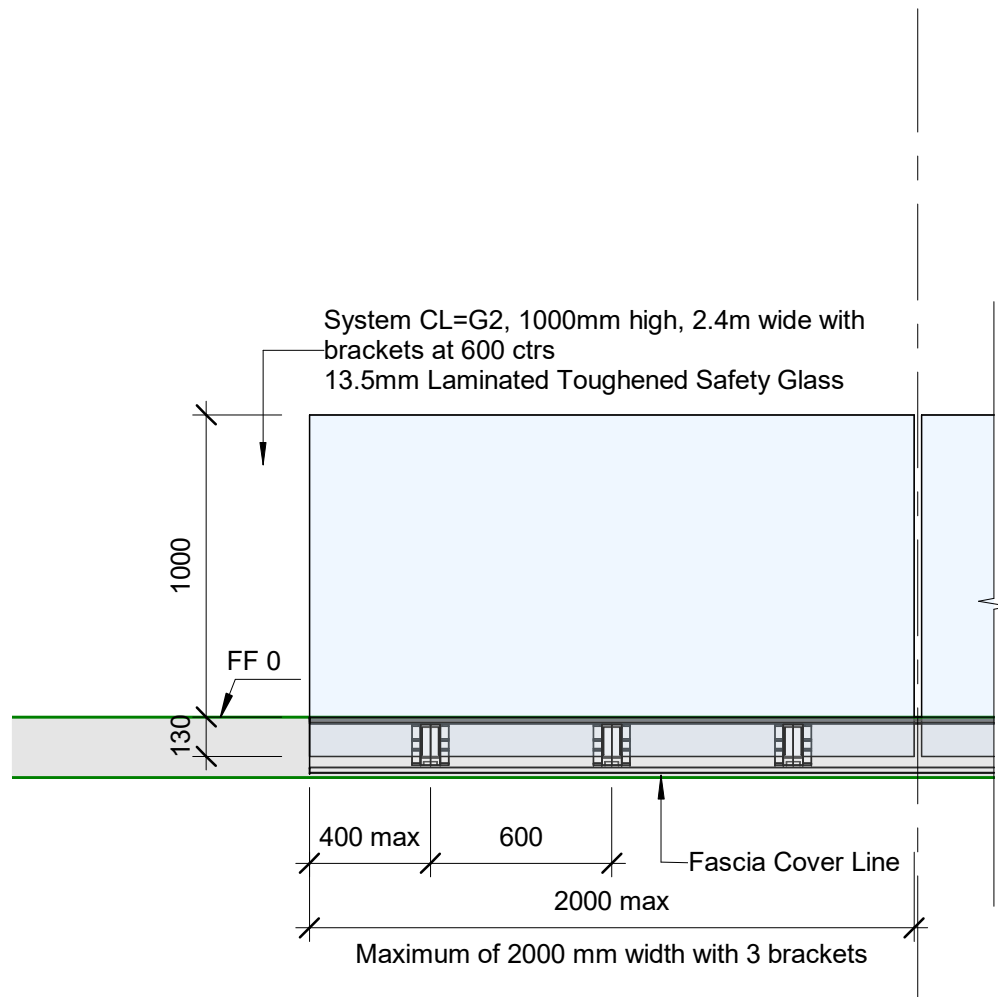
Glass Vice 12 mm TSG Residential Barrier Elevation

Date: Dec 2021  
Scale: As indicated  
1.04

Quick Code:

www.glassvice.com  
Phone +64 9 414 6565  
info@glassvice.com

**GV\_CLEAR\_1\_G1-1000**



These drawings relate only to Glass Vice® Clearline and its fixings. All other elements are shown indicative only.

© 2021. The copyright of this document is the property of Glass Vice Limited and shall not be reproduced, copied, loaned or disposed of directly, or indirectly, nor used for any purpose other than that for which it is specifically furnished without prior consent.

gv\_clearline.rvt  
All dimensions in millimetres

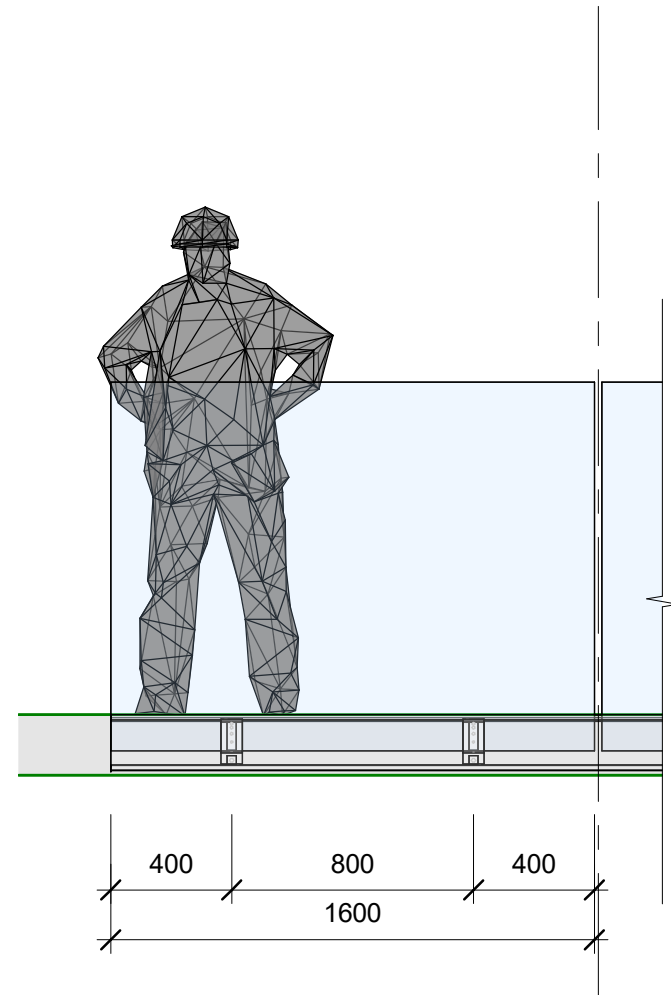
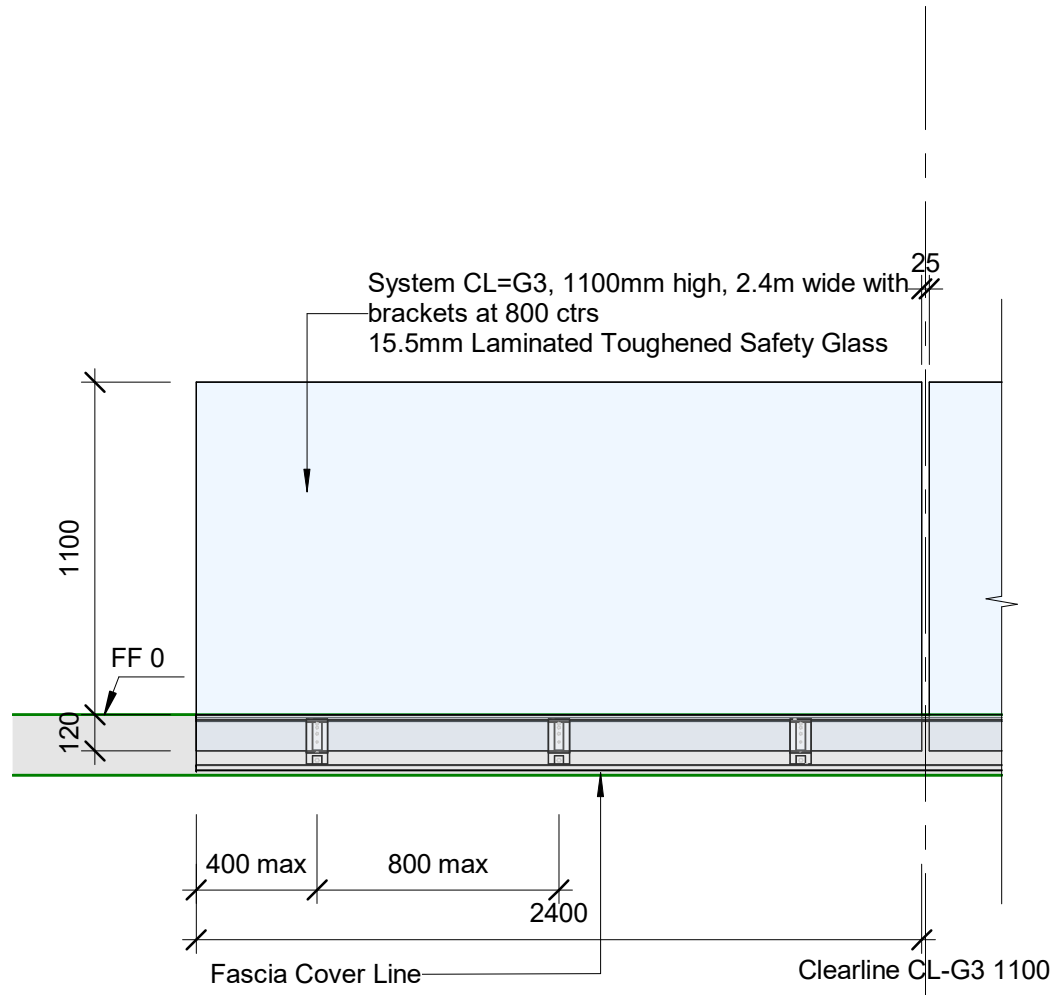
**GLASS VICE®**  
Glass Vice® Clearline  
Glass Vice 13.5 mm LTSG Residential Barrier Elevation

Date: Dec 2021  
Scale: 1 : 25  
1.04

www.glassvice.com  
Phone +64 9 414 6565  
info@glassvice.com

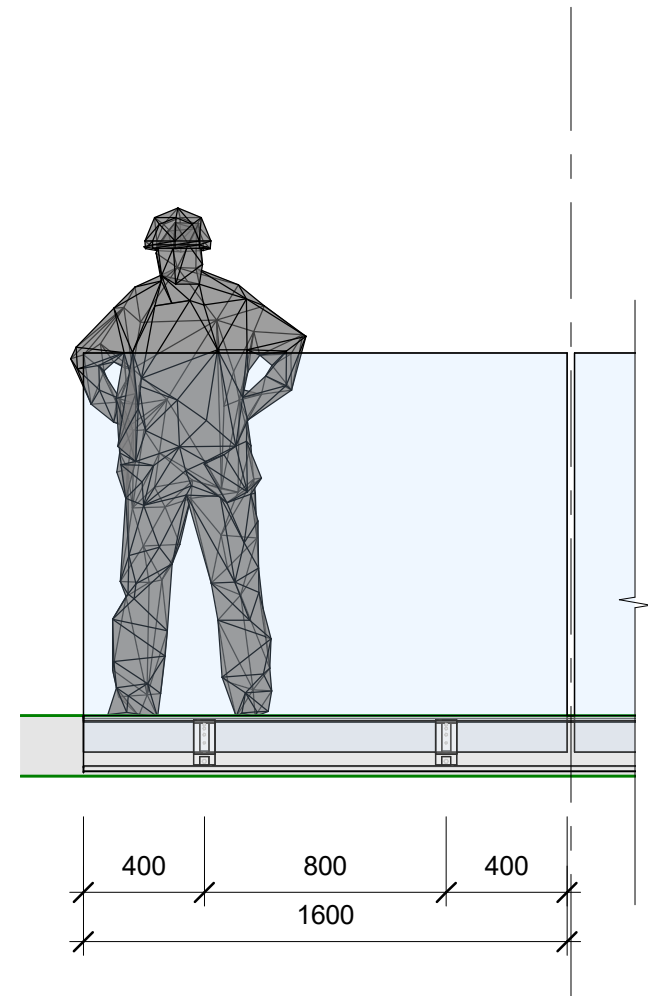
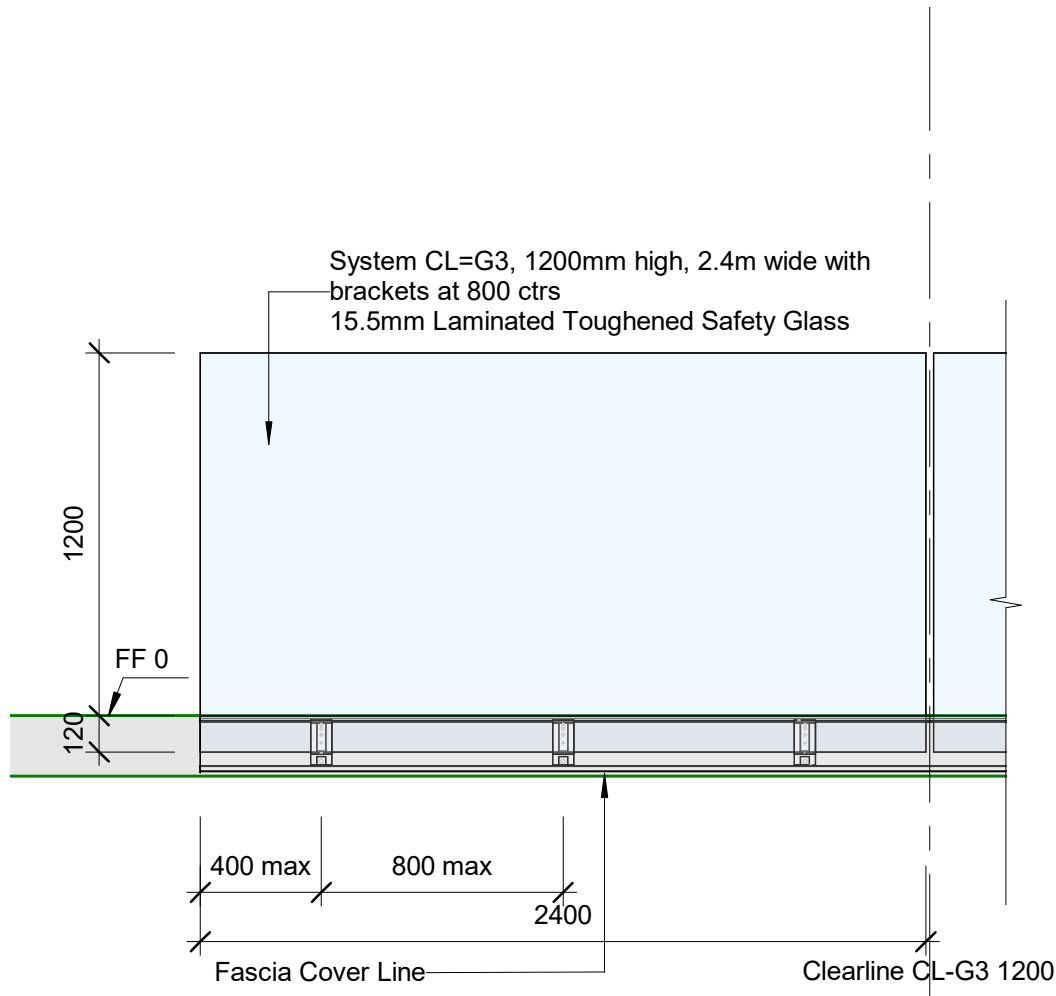
Quick Code:

**GV\_CLEAR\_1\_G2-1000**



These drawings relate only to Glass Vice® Clearline and its fixings. All other elements are shown indicative only.

© 2021. The copyright of this document is the property of Glass Vice Limited and shall not be reproduced, copied, loaned or disposed of directly, or indirectly, nor used for any purpose other than that for which it is specifically furnished without prior consent.



These drawings relate only to Glass Vice® Clearline and its fixings. All other elements are shown indicative only.

© 2021. The copyright of this document is the property of Glass Vice Limited and shall not be reproduced, copied, loaned or disposed of directly, or indirectly, nor used for any purpose other than that for which it is specifically furnished without prior consent.

gv\_clearline.rvt  
All dimensions in millimetres



# Glass Vice® Clearline

Glass Vice® Clearline

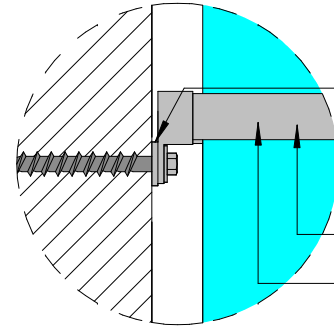
Glass Vice 15.5 mm LTSG Residential Barrier Elevation

Date: Dec 2021  
Scale: 1 : 25  
1.04

Quick Code:

www.glassvice.com  
Phone +64 9 414 6565  
info@glassvice.com

**GV\_CLEAR\_1\_G3-1200**

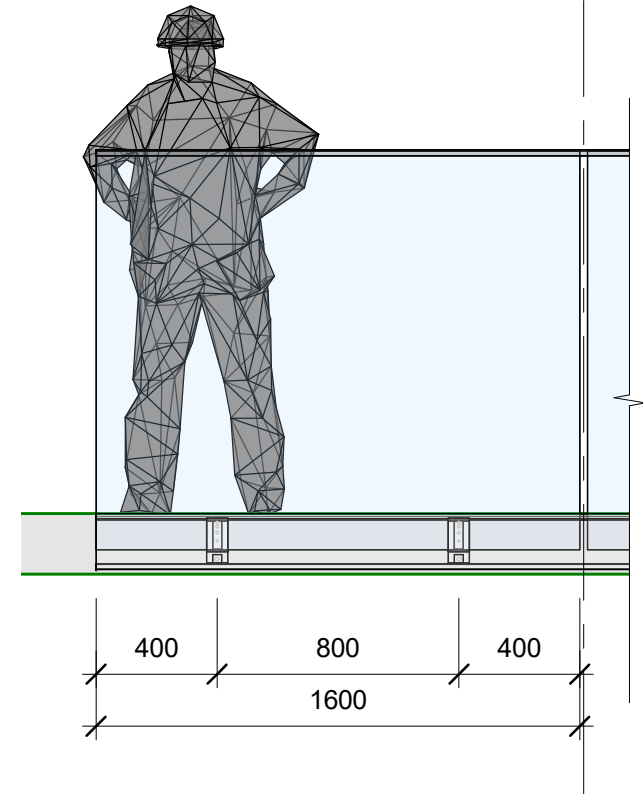
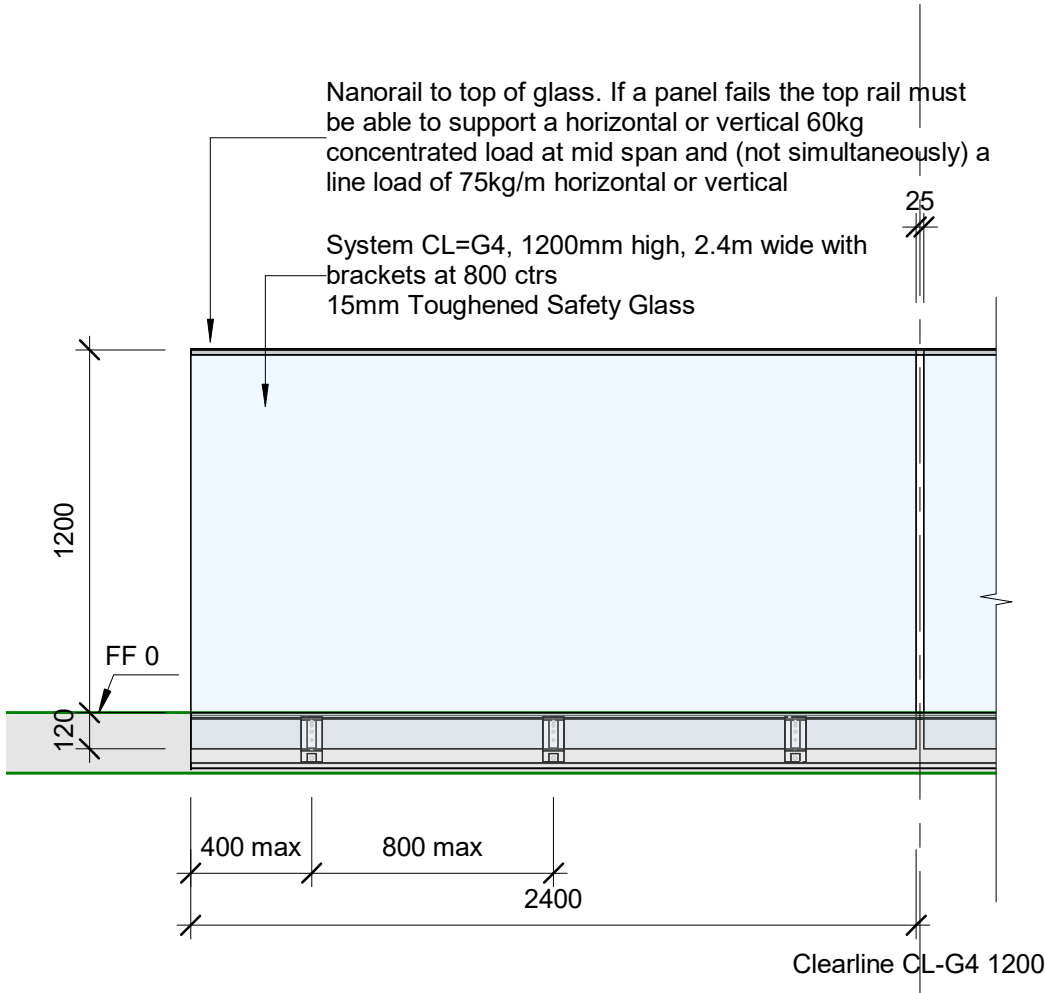


Weather tight fitting (neoprene washer and silicone) using 14 gauge fastener min 45mm penetration if into timber. Fixing is included in the installers PS3

Interlinking Nano Rail at top 25x21mm  
Top of glass

Nanorail to top of glass. If a panel fails the top rail must be able to support a horizontal or vertical 60kg concentrated load at mid span and (not simultaneously) a line load of 75kg/m horizontal or vertical

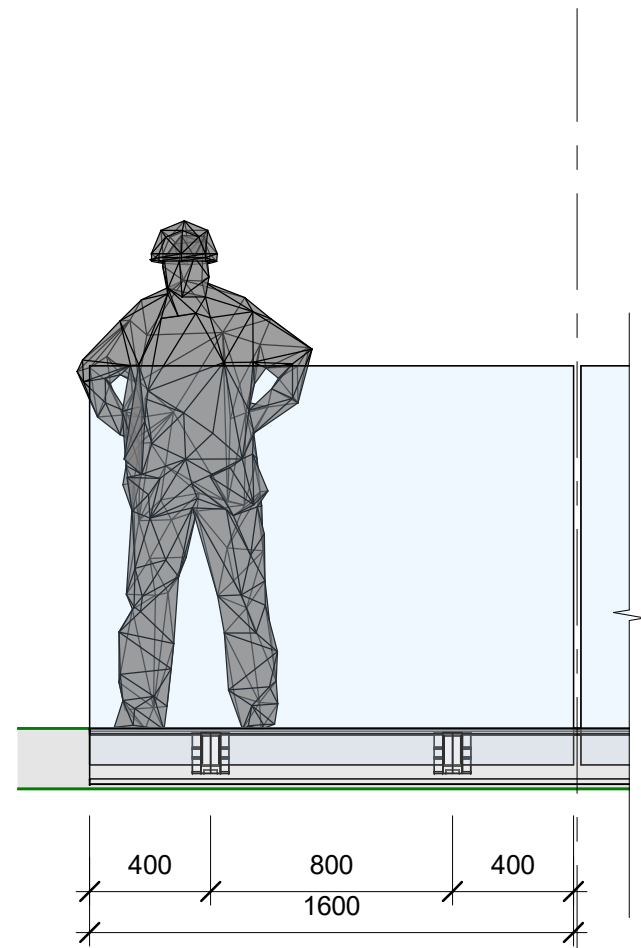
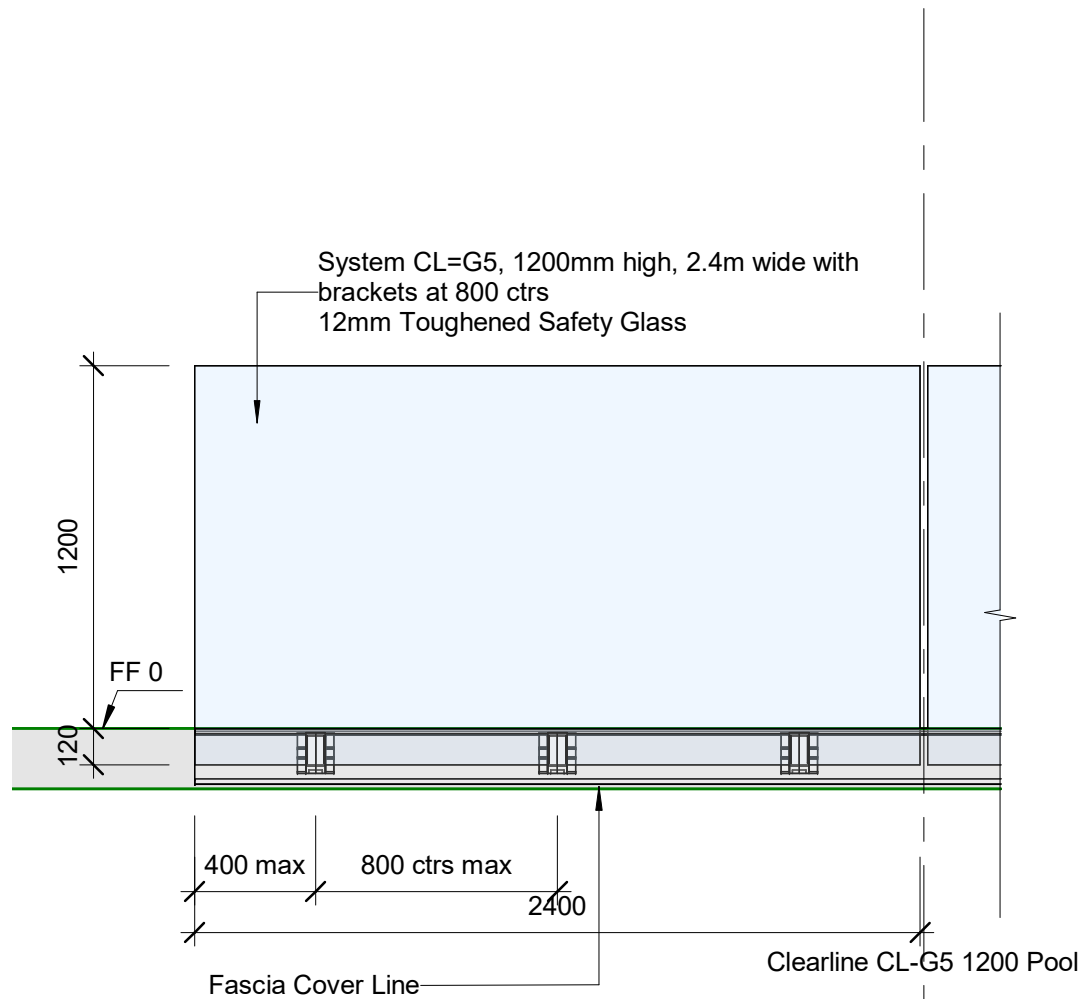
System CL=G4, 1200mm high, 2.4m wide with brackets at 800 ctrs  
15mm Toughened Safety Glass



These drawings relate only to Glass Vice® Clearline and its fixings. All other elements are shown indicative only.

© 2021. The copyright of this document is the property of Glass Vice Limited and shall not be reproduced, copied, loaned or disposed of directly, or indirectly, nor used for any purpose other than that for which it is specifically furnished without prior consent.

gv\_clearline.rvt  
All dimensions in millimetres



These drawings relate only to Glass Vice® Clearline and its fixings. All other elements are shown indicative only.

© 2021. The copyright of this document is the property of Glass Vice Limited and shall not be reproduced, copied, loaned or disposed of directly, or indirectly, nor used for any purpose other than that for which it is specifically furnished without prior consent.

gv\_clearline.rvt  
All dimensions in millimetres



# Glass Vice® Clearline

Glass Vice® Clearline

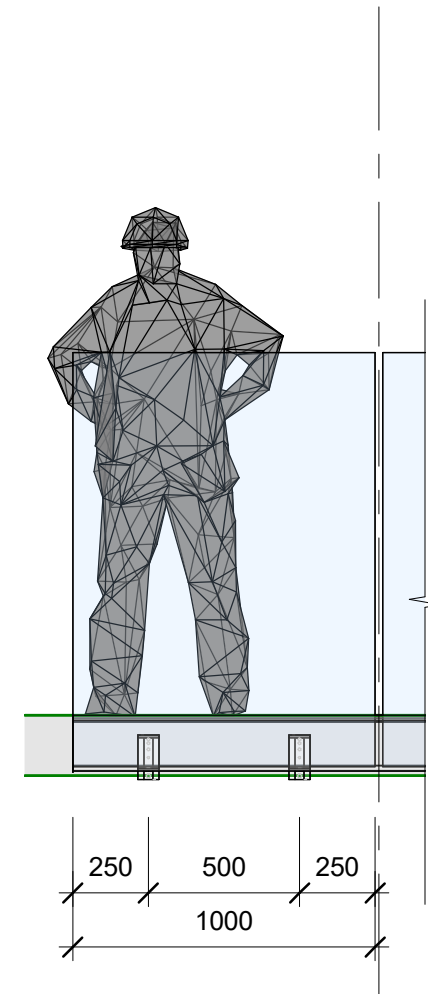
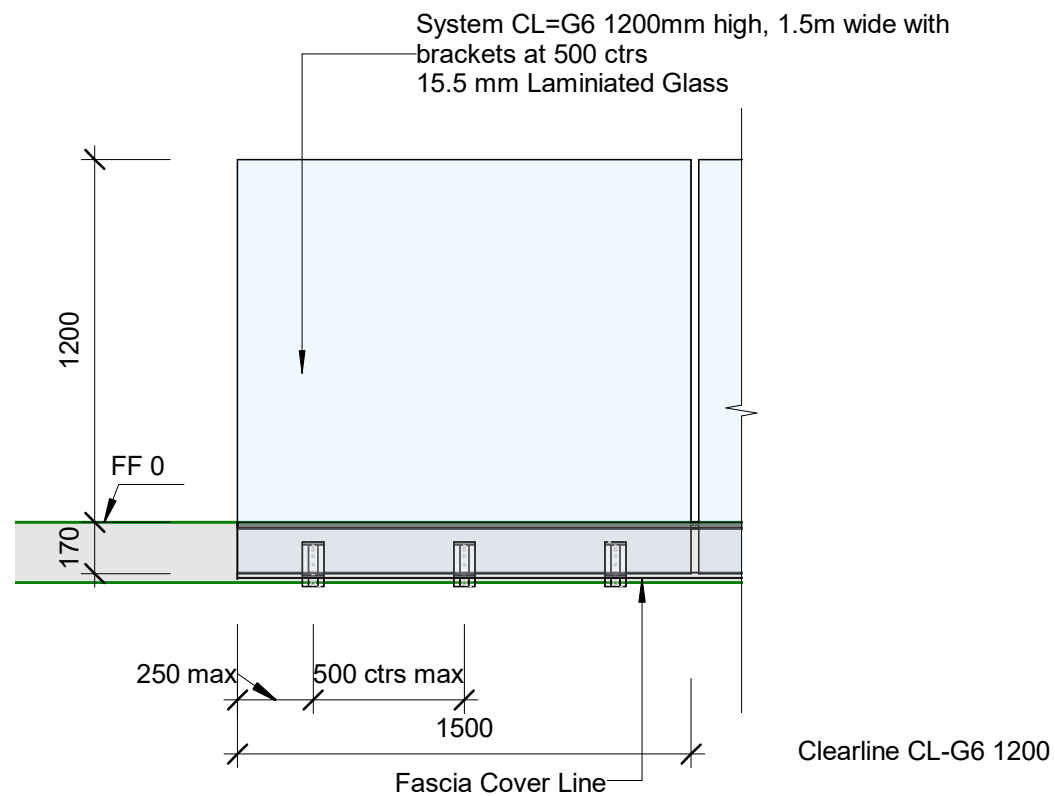
Glass Vice 12 mm TSG Residential Pool Fence Elevation

Date: Dec 2021  
Scale: 1 : 25  
1.04

Quick Code:

www.glassvice.com  
Phone +64 9 414 6565  
info@glassvice.com

**GV\_CLEAR\_1\_G5-1200**



These drawings relate only to Glass Vice® Clearline and its fixings. All other elements are shown indicative only.

© 2021. The copyright of this document is the property of Glass Vice Limited and shall not be reproduced, copied, loaned or disposed of directly, or indirectly, nor used for any purpose other than that for which it is specifically furnished without prior consent.

gv\_clearline.rvt  
All dimensions in millimetres

**GLASS VICE®**

# Glass Vice® Clearline

Glass Vice® Clearline

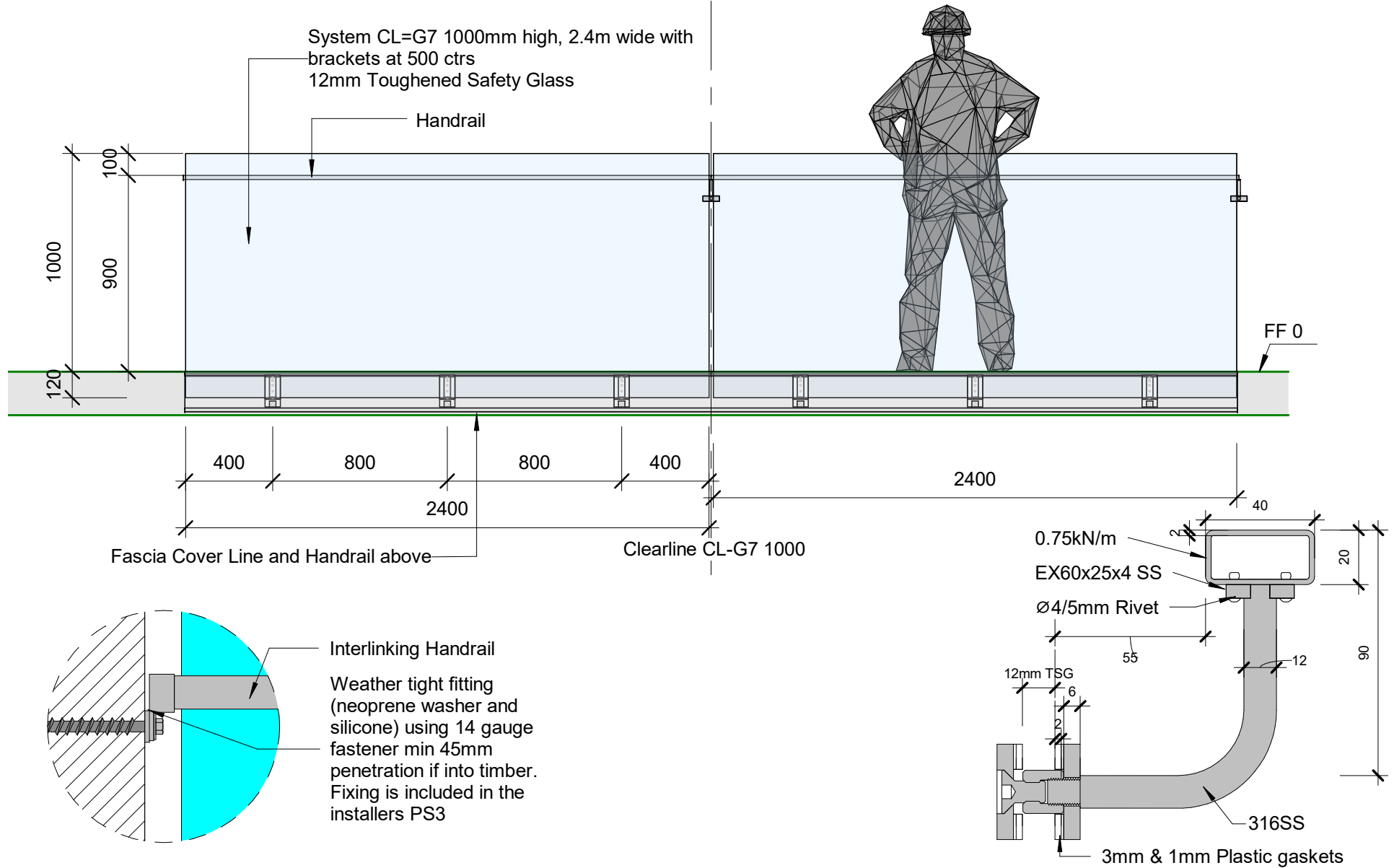
Glass Vice 15.5 mm LTSG Residential Barrier Elevation - Extra High wind Zone

Date: Dec 2021  
Scale: 1 : 25  
1.04

www.glassvice.com  
Phone +64 9 414 6565  
info@glassvice.com

Quick Code:

**GV\_CLEAR\_1\_G6-1200**



These drawings relate only to Glass Vice® Clearline and its fixings. All other elements are shown indicative only.

© 2021. The copyright of this document is the property of Glass Vice Limited and shall not be reproduced, copied, loaned or disposed of directly, or indirectly, nor used for any purpose other than that for which it is specifically furnished without prior consent.

gv\_clearline.rvt  
All dimensions in millimetres



# Glass Vice® Clearline

Glass Vice® Clearline 1000mm With handrail

Glass Vice Clearline 1000mm With Handrail

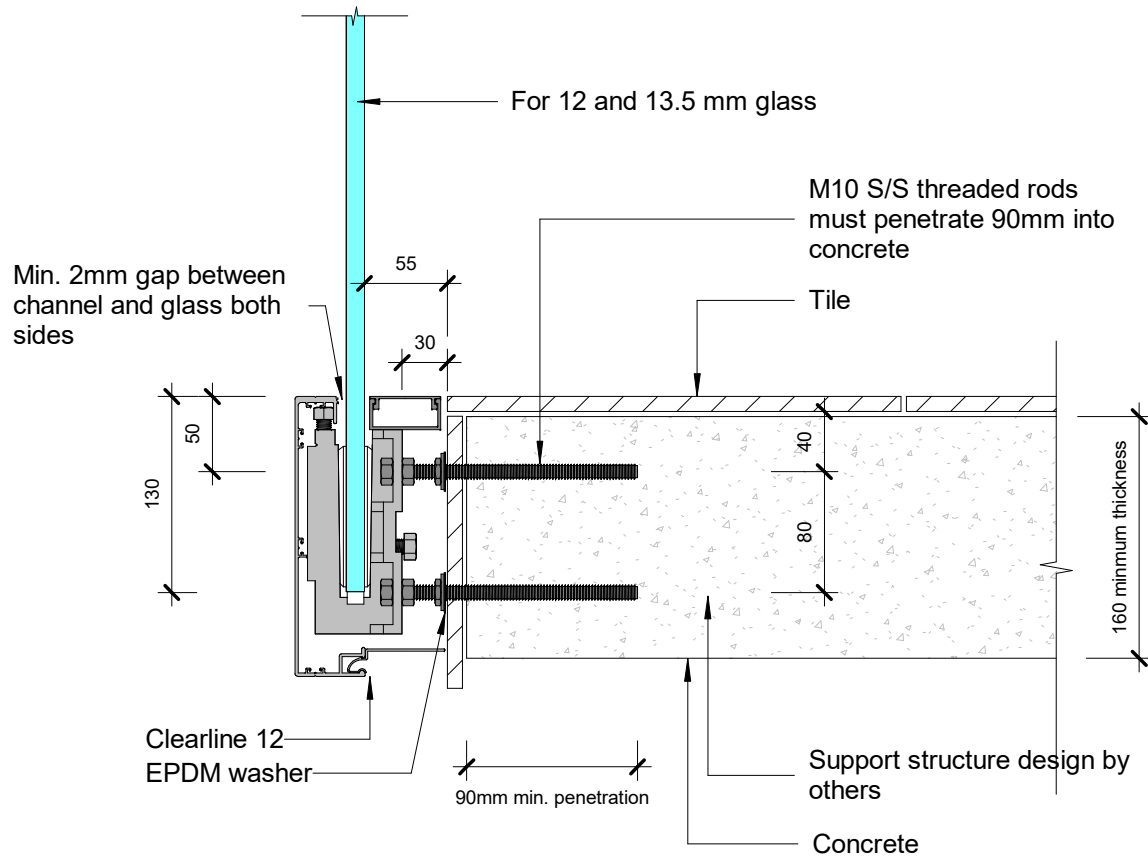
Date: Dec 2021  
Scale: As indicated  
1.04

Quick Code:

www.glassvice.com  
Phone +64 9 414 6565  
info@glassvice.com

**GV\_CLEAR\_1\_G7-1000**





These drawings relate only to Glass Vice® Clearline and its fixings. All other elements are shown indicative only.

© 2021. The copyright of this document is the property of Glass Vice Limited and shall not be reproduced, copied, loaned or disposed of directly, or indirectly, nor used for any purpose other than that for which it is specifically furnished without prior consent.

gv\_clearline.rvt  
All dimensions in millimetres



# Glass Vice® Clearline

Glass Vice® Clearline

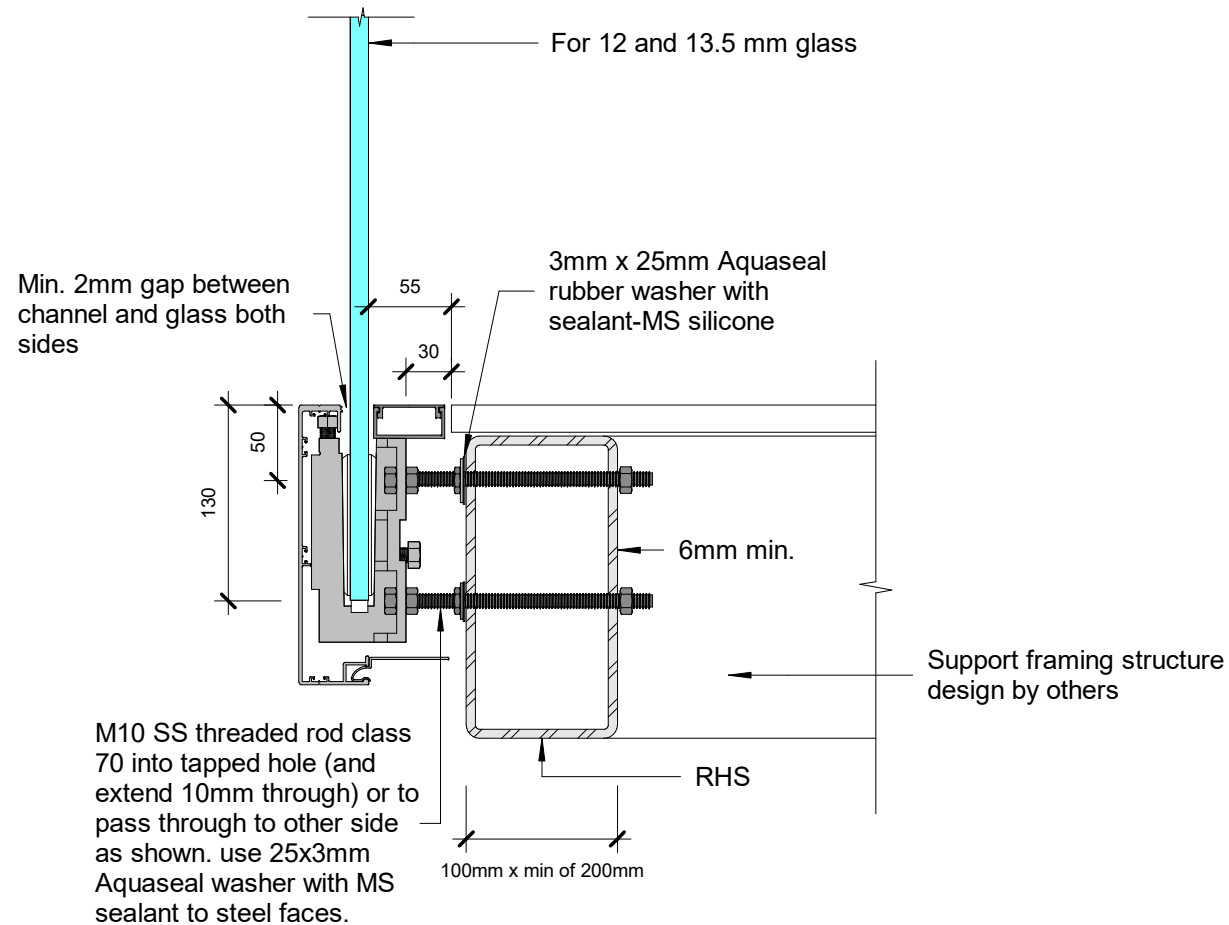
Concrete Deck Edge - For 12 and 13.5 mm glass

Date: Dec 2021  
Scale: 1 : 5  
1.04

www.glassvice.com  
Phone +64 9 414 6565  
info@glassvice.com

Quick Code:

**GV\_CLEAR\_4\_DET\_CON01**

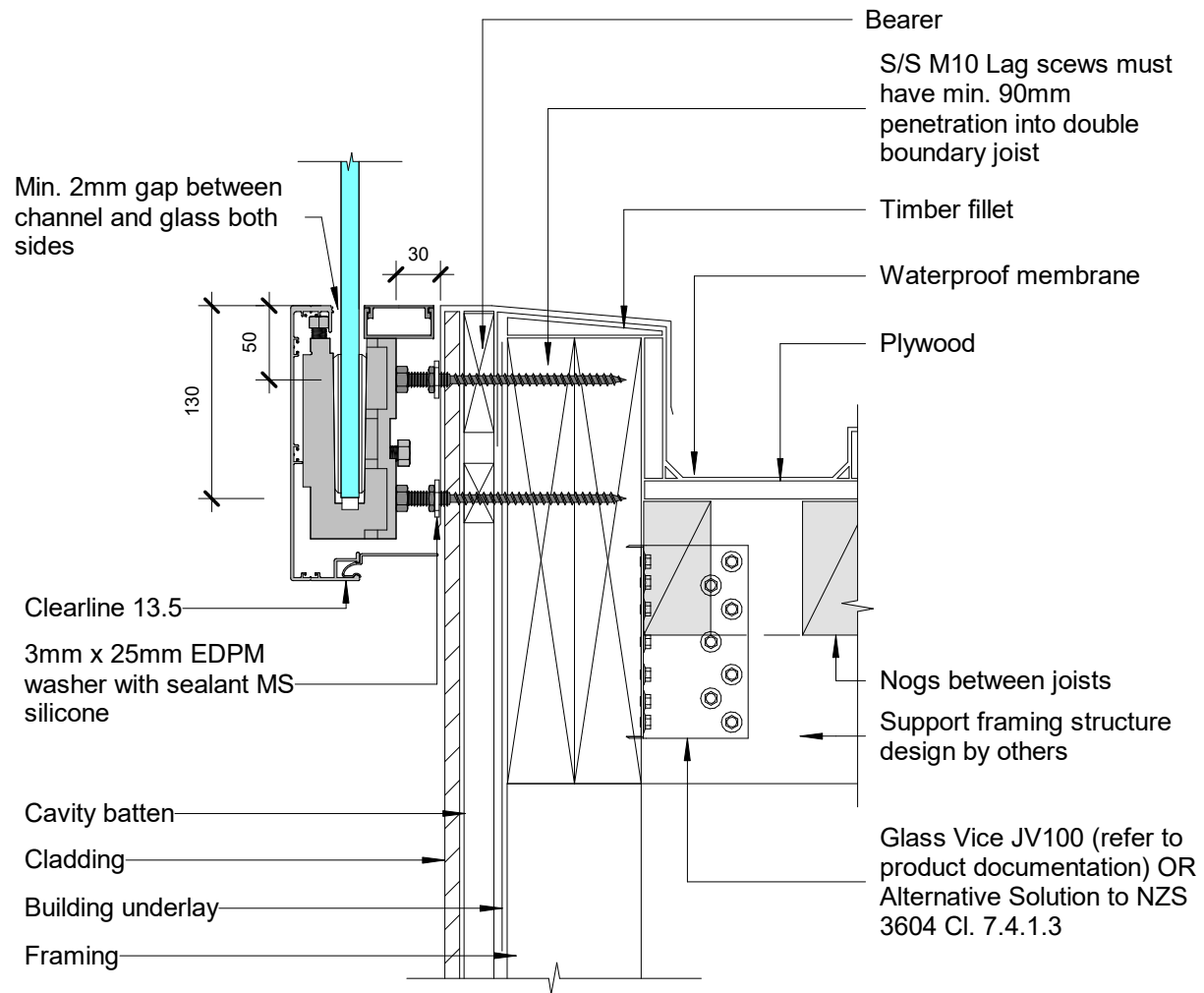


Steel members to be designed by Engineer CPEng.  
Spacing limited by glass capacity - refer to PS1 certificates

These drawings relate only to Glass Vice® Clearline and its fixings. All other elements are shown indicative only.

© 2021. The copyright of this document is the property of Glass Vice Limited and shall not be reproduced, copied, loaned or disposed of directly, or indirectly, nor used for any purpose other than that for which it is specifically furnished without prior consent.

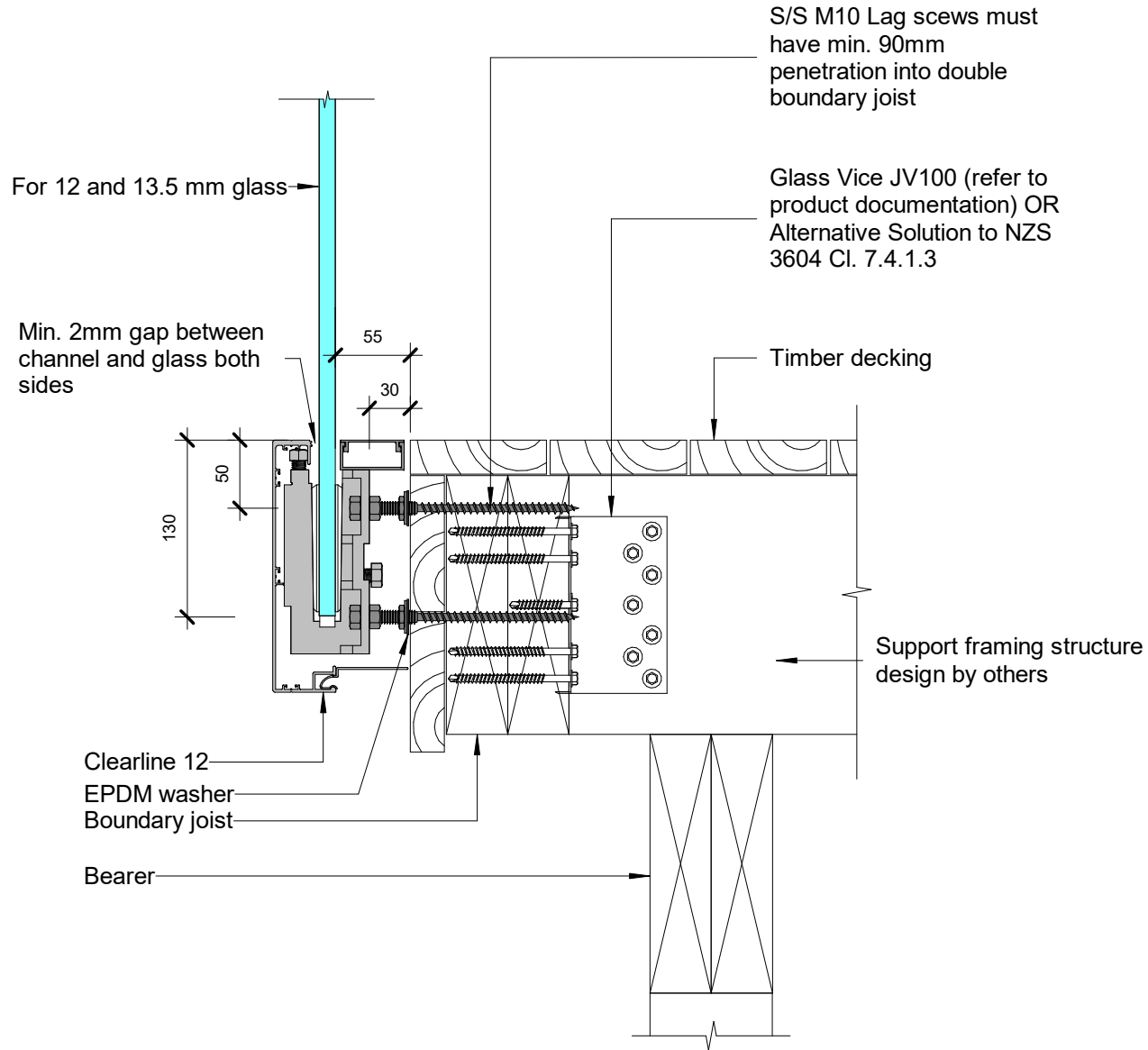
gv\_clearline.rvt  
All dimensions in millimetres



These drawings relate only to Glass Vice® Clearline and its fixings. All other elements are shown indicative only.

© 2021. The copyright of this document is the property of Glass Vice Limited and shall not be reproduced, copied, loaned or disposed of directly, or indirectly, nor used for any purpose other than that for which it is specifically furnished without prior consent.

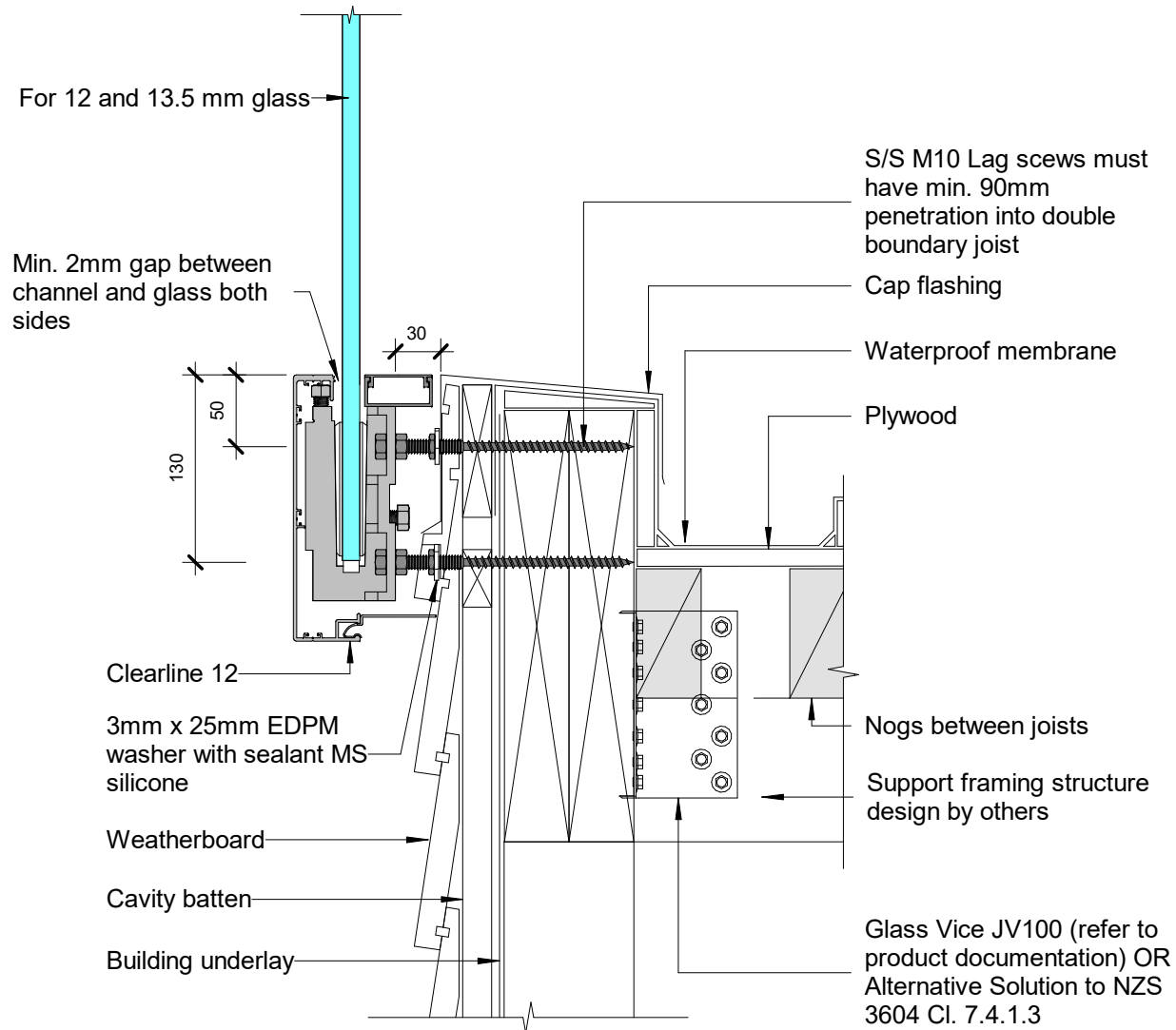
gv\_clearline.rvt  
All dimensions in millimetres



These drawings relate only to Glass Vice® Clearline and its fixings. All other elements are shown indicative only.

© 2021. The copyright of this document is the property of Glass Vice Limited and shall not be reproduced, copied, loaned or disposed of directly, or indirectly, nor used for any purpose other than that for which it is specifically furnished without prior consent.

gv\_clearline.rvt  
All dimensions in millimetres



These drawings relate only to Glass Vice® Clearline and its fixings. All other elements are shown indicative only.

© 2021. The copyright of this document is the property of Glass Vice Limited and shall not be reproduced, copied, loaned or disposed of directly, or indirectly, nor used for any purpose other than that for which it is specifically furnished without prior consent.

gv\_clearline.rvt  
All dimensions in millimetres



# Glass Vice® Clearline

Glass Vice® Clearline

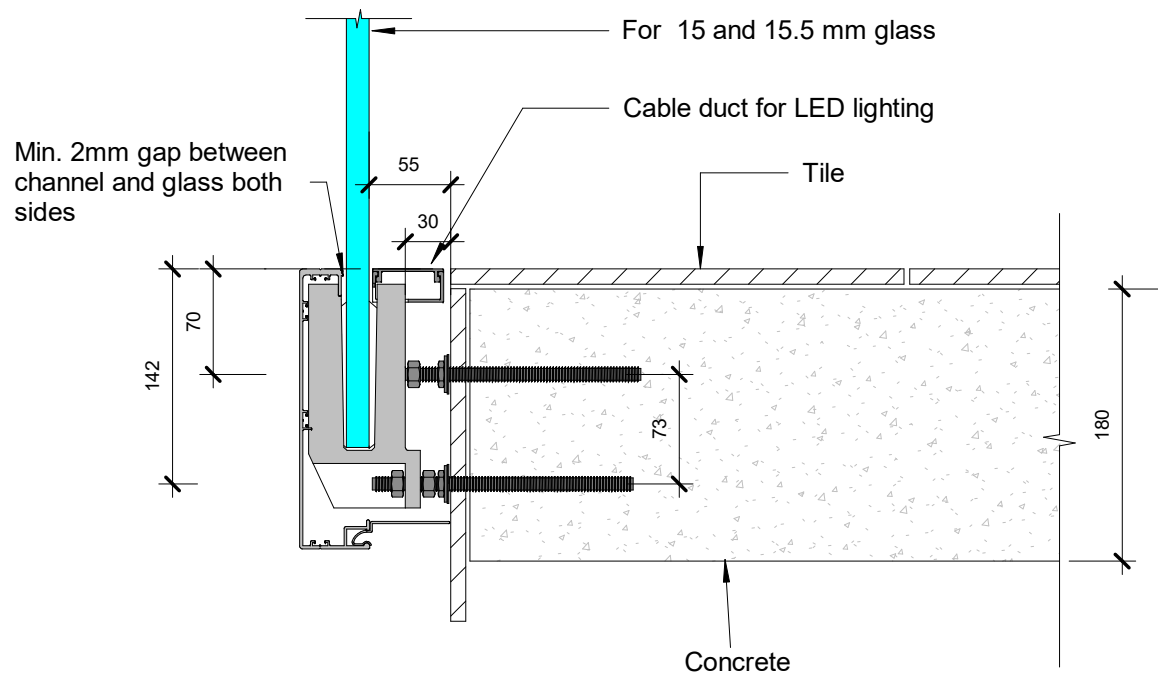
Deck edge on Weatherboard clad wall - For 12 and 13.5 mm glass

Date: Dec 2021  
Scale: 1 : 5  
1.04

www.glassvice.com  
Phone +64 9 414 6565  
info@glassvice.com

Quick Code:

**GV\_CLEAR\_4\_DET\_WBD01**



These drawings relate only to Glass Vice® Clearline and its fixings. All other elements are shown indicative only.

© 2021. The copyright of this document is the property of Glass Vice Limited and shall not be reproduced, copied, loaned or disposed of directly, or indirectly, nor used for any purpose other than that for which it is specifically furnished without prior consent.

gv\_clearline.rvt  
All dimensions in millimetres



# Glass Vice® Clearline

Glass Vice® Clearline

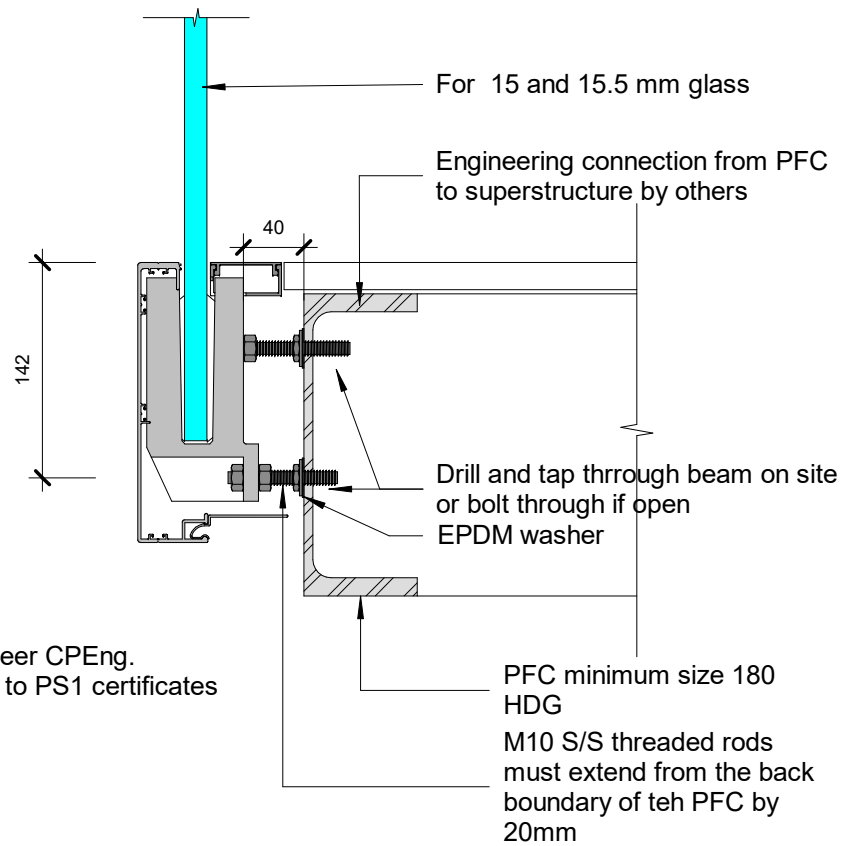
Concrete Deck Edge - For 15 and 15.5 mm glass

Date: Dec 2021  
Scale: 1 : 5  
1.04

www.glassvice.com  
Phone +64 9 414 6565  
info@glassvice.com

Quick Code:

**GV\_CLEAR\_5\_DET\_CON05**

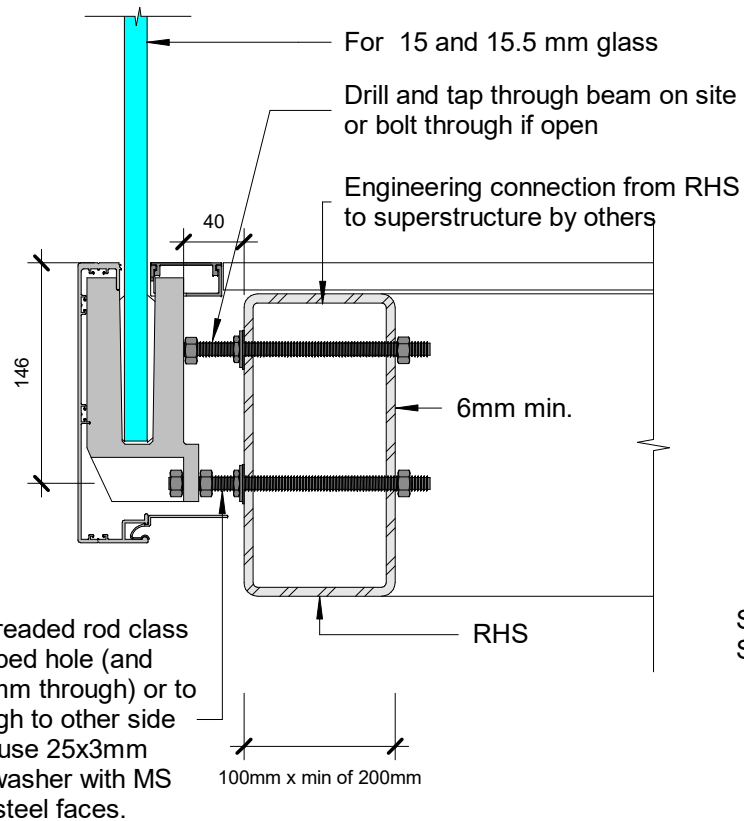


Steel members to be designed by Engineer CPEng.  
Spacing limited by glass capacity - refer to PS1 certificates

These drawings relate only to Glass Vice® Clearline and its fixings. All other elements are shown indicative only.

© 2021. The copyright of this document is the property of Glass Vice Limited and shall not be reproduced, copied, loaned or disposed of directly, or indirectly, nor used for any purpose other than that for which it is specifically furnished without prior consent.

gv\_clearline.rvt  
All dimensions in millimetres



M10 SS threaded rod class 70 into tapped hole (and extend 10mm through) or to pass through to other side as shown. use 25x3mm Aquaseal washer with MS sealant to steel faces.

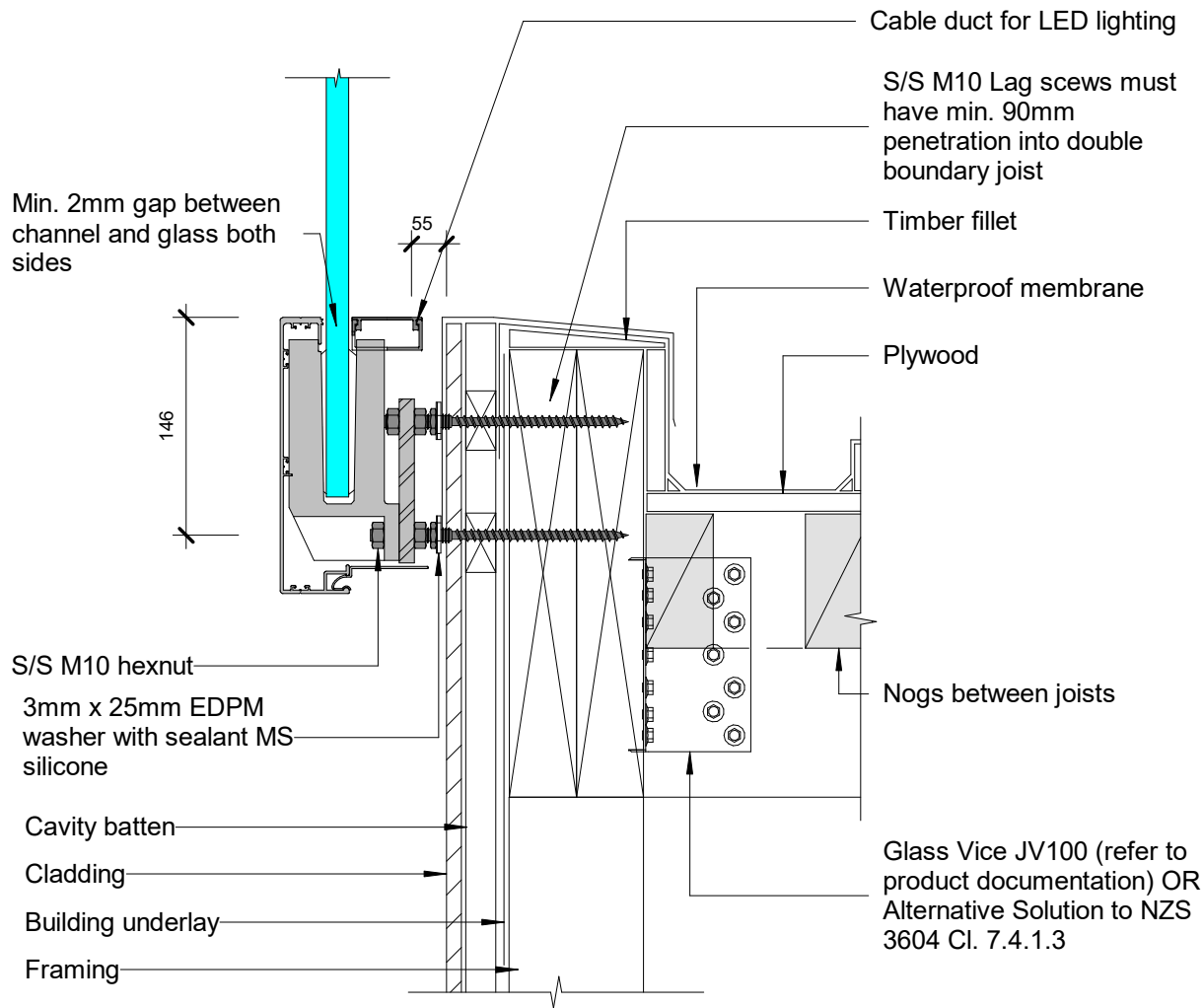
Steel members to be designed by Engineer CPEng.  
Spacing limited by glass capacity - refer to PS1 certificates

These drawings relate only to Glass Vice® Clearline and its fixings. All other elements are shown indicative only.

© 2021. The copyright of this document is the property of Glass Vice Limited and shall not be reproduced, copied, loaned or disposed of directly, or indirectly, nor used for any purpose other than that for which it is specifically furnished without prior consent.

gv\_clearline.rvt  
All dimensions in millimetres





These drawings relate only to Glass Vice® Clearline and its fixings. All other elements are shown indicative only.

© 2021. The copyright of this document is the property of Glass Vice Limited and shall not be reproduced, copied, loaned or disposed of directly, or indirectly, nor used for any purpose other than that for which it is specifically furnished without prior consent.

gv\_clearline.rvt  
All dimensions in millimetres



# Glass Vice® Clearline

Glass Vice® Clearline

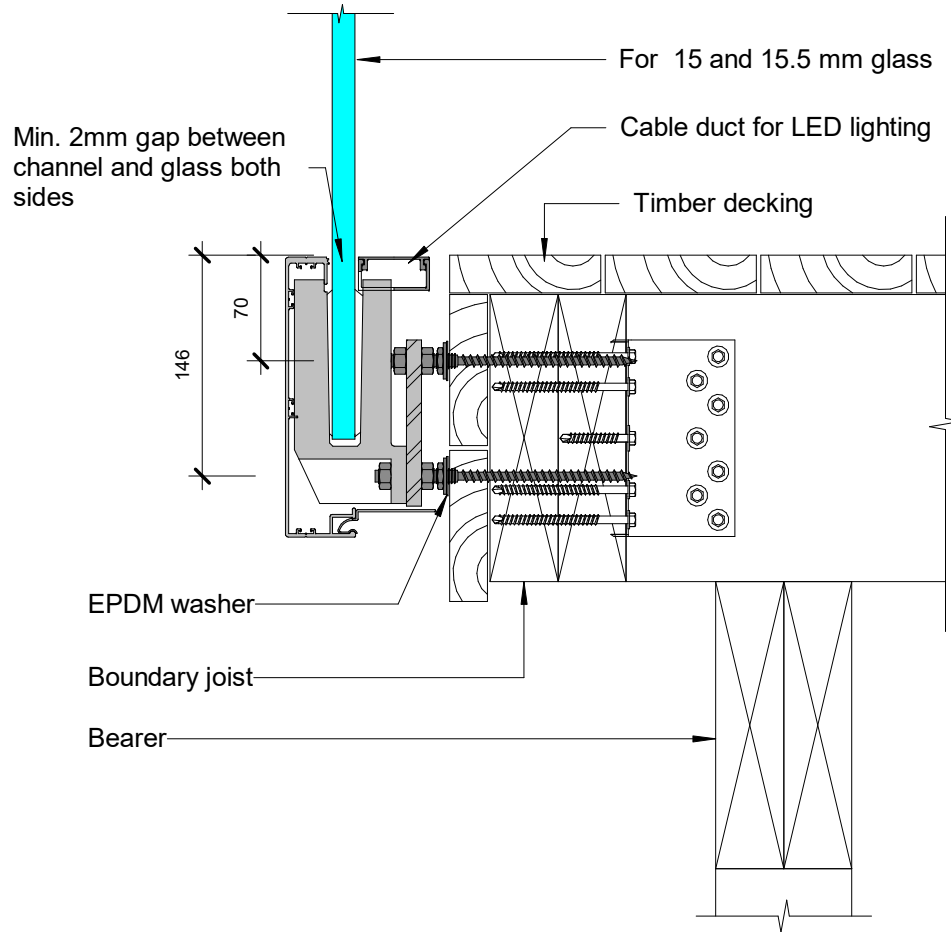
Deck edge on Sheetclad wall - For 15 and 15.5 mm glass

Date: Dec 2021  
Scale: 1 : 5  
1.04

www.glassvice.com  
Phone +64 9 414 6565  
info@glassvice.com

Quick Code:

**GV\_CLEAR\_5\_DET\_SCL07**



These drawings relate only to Glass Vice® Clearline and its fixings. All other elements are shown indicative only.

© 2021. The copyright of this document is the property of Glass Vice Limited and shall not be reproduced, copied, loaned or disposed of directly, or indirectly, nor used for any purpose other than that for which it is specifically furnished without prior consent.

gv\_clearline.rvt  
All dimensions in millimetres

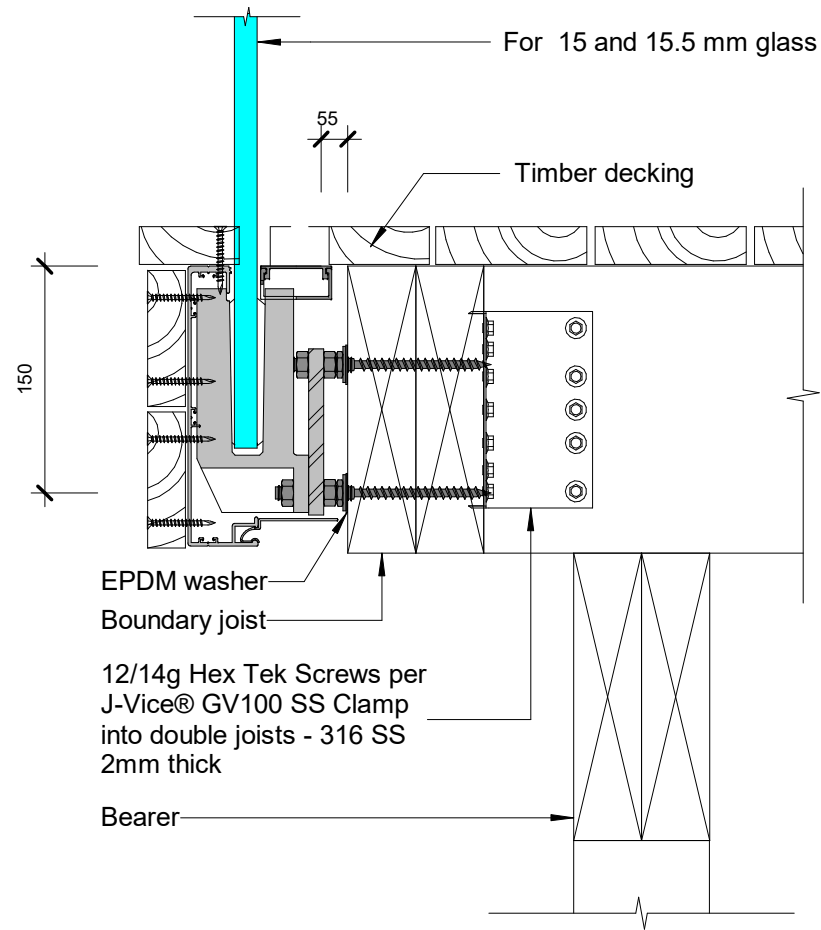
**GLASS VICE®**  
**Glass Vice® Clearline**  
 Glass Vice® Clearline  
 Timber Deck Edge - For 15 and 15.5 mm glass

Date: Dec 2021  
 Scale: 1 : 5  
 1.04

www.glassvice.com  
 Phone +64 9 414 6565  
 info@glassvice.com

Quick Code:

**GV\_CLEAR\_5\_DET\_TDK08**



These drawings relate only to Glass Vice® Clearline and its fixings. All other elements are shown indicative only.

© 2021. The copyright of this document is the property of Glass Vice Limited and shall not be reproduced, copied, loaned or disposed of directly, or indirectly, nor used for any purpose other than that for which it is specifically furnished without prior consent.

gv\_clearline.rvt  
All dimensions in millimetres

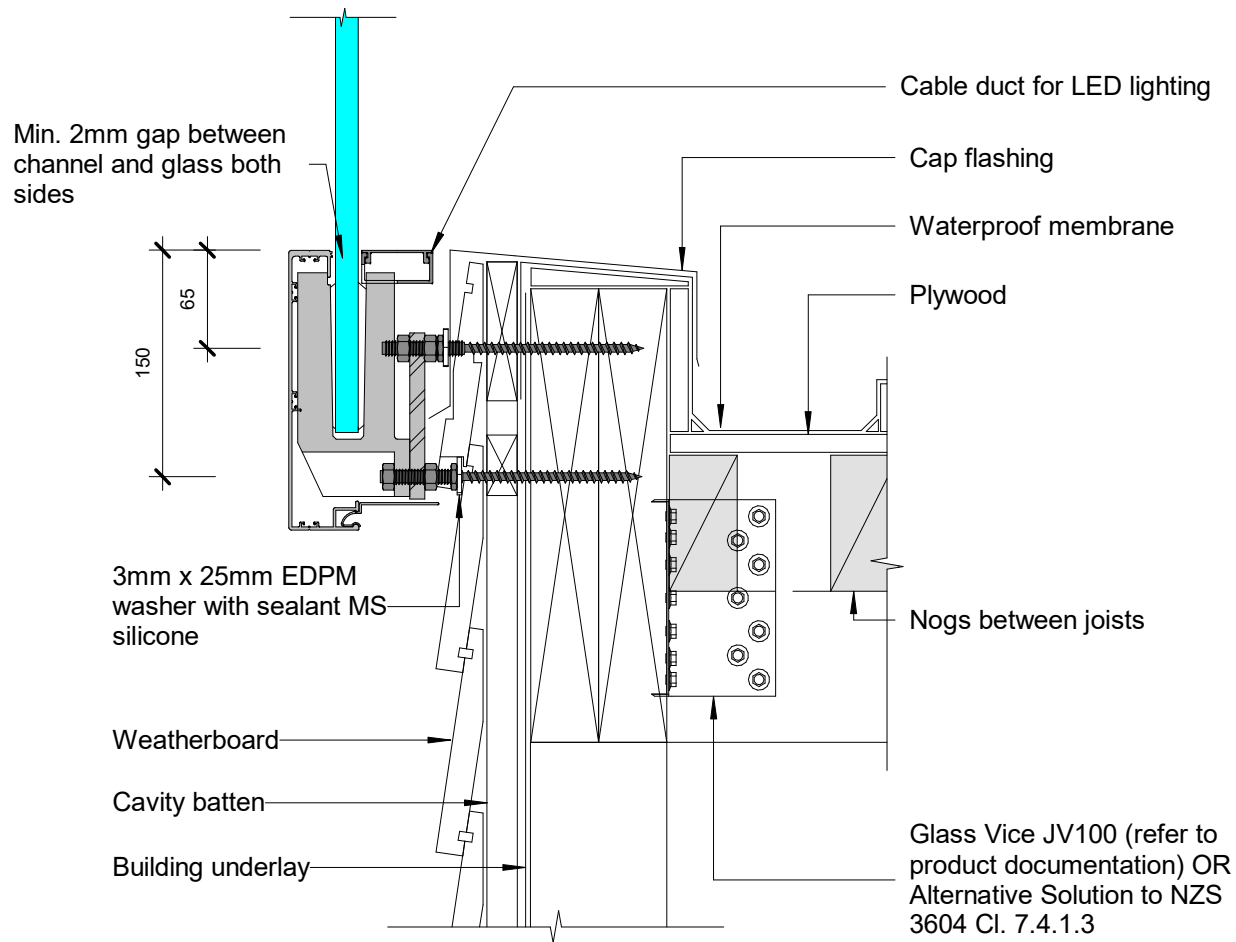
**GLASS VICE®**  
**Glass Vice® Clearline**  
 Glass Vice® Clearline  
 Timber Deck Edge - For 15 and 15.5 mm glass

Date: Dec 2021  
 Scale: 1 : 5  
 1.04

www.glassvice.com  
 Phone +64 9 414 6565  
 info@glassvice.com

Quick Code:

**GV\_CLEAR\_5\_DET\_TDK09**



These drawings relate only to Glass Vice® Clearline and its fixings. All other elements are shown indicative only.

© 2021. The copyright of this document is the property of Glass Vice Limited and shall not be reproduced, copied, loaned or disposed of directly, or indirectly, nor used for any purpose other than that for which it is specifically furnished without prior consent.

gv\_clearline.rvt  
All dimensions in millimetres



# Glass Vice® Clearline

Glass Vice® Clearline

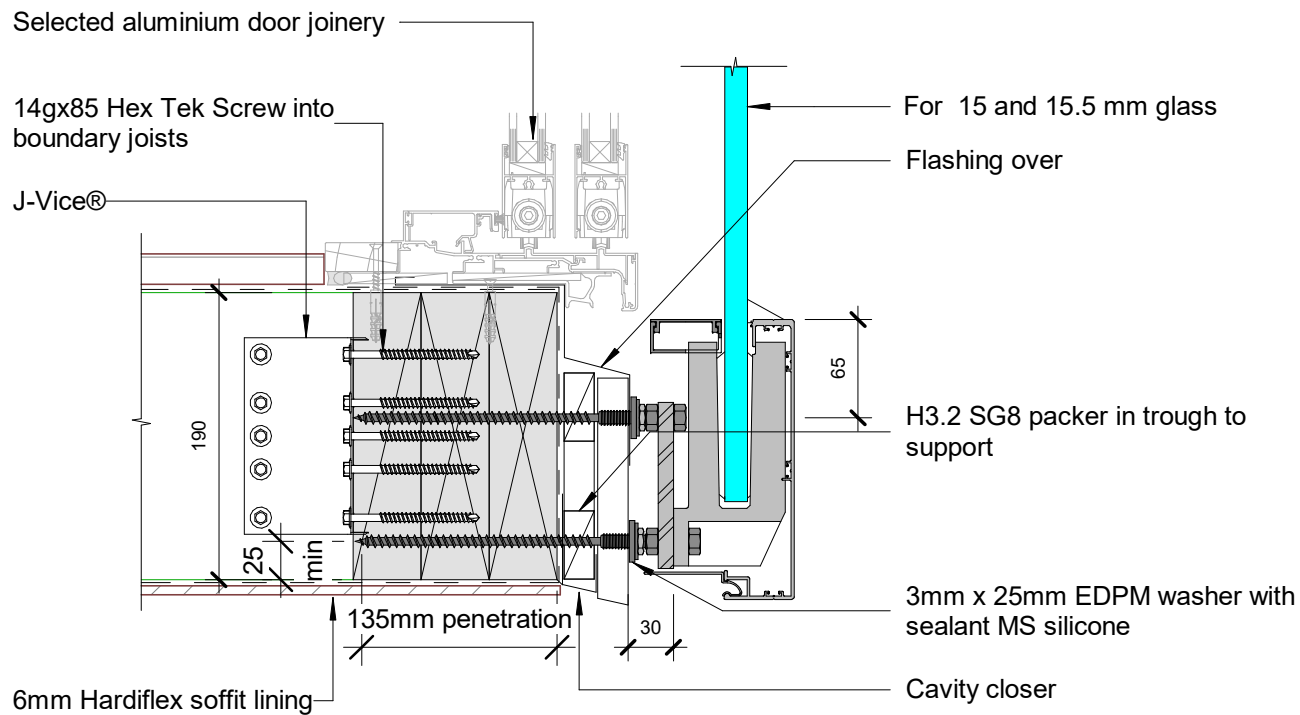
Deck edge on Weatherboard clad wall - For 15 and 15.5 mm glass

Date: Dec 2021  
Scale: 1 : 5  
1.04

www.glassvice.com  
Phone +64 9 414 6565  
info@glassvice.com

Quick Code:

**GV\_CLEAR\_5\_DET\_WBD10**



These drawings relate only to Glass Vice® Clearline and its fixings. All other elements are shown indicative only.

© 2021. The copyright of this document is the property of Glass Vice Limited and shall not be reproduced, copied, loaned or disposed of directly, or indirectly, nor used for any purpose other than that for which it is specifically furnished without prior consent.

gv\_clearline.rvt  
All dimensions in millimetres



# Glass Vice® Clearline

Glass Vice® Clearline

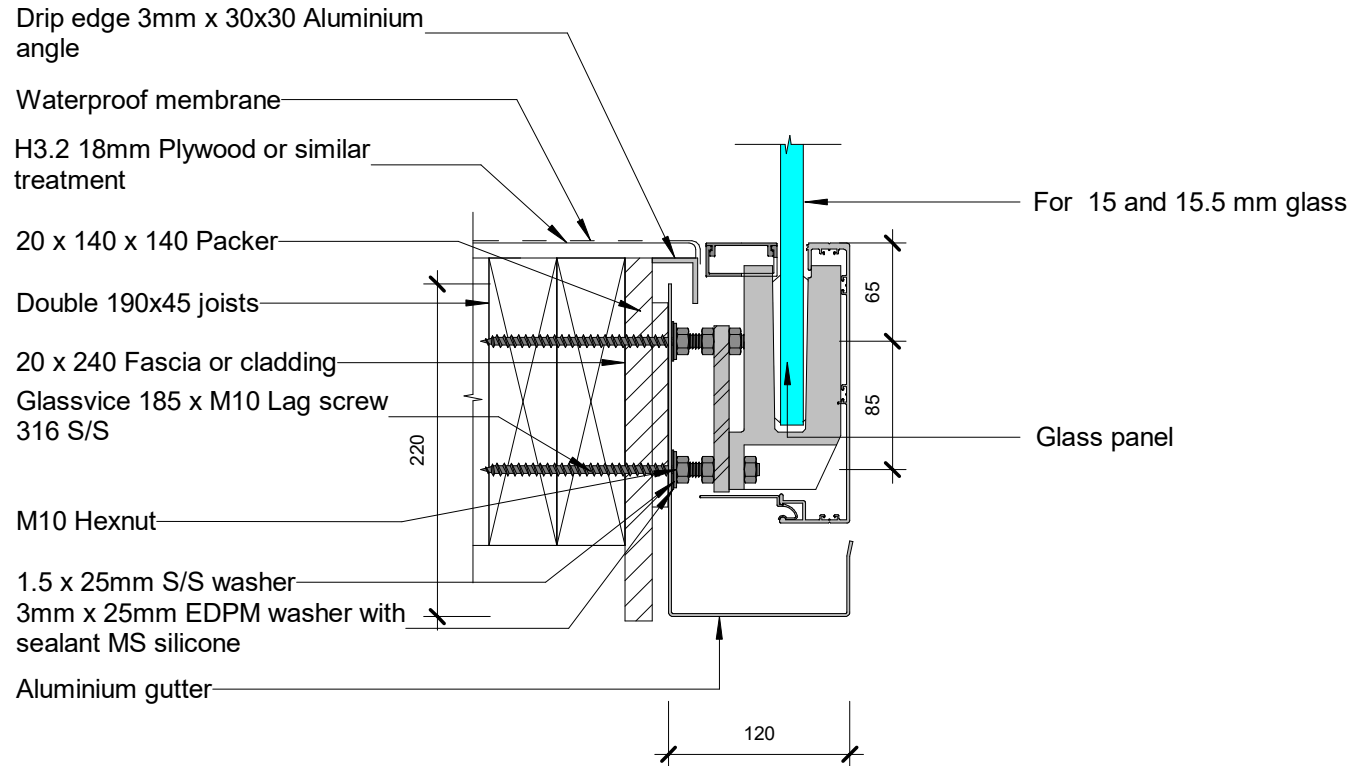
Edge Connection Juliet Balcony - For 15 and 15.5 mm glass

Date: Dec 2021  
Scale: 1 : 5  
1.04

www.glassvice.com  
Phone +64 9 414 6565  
info@glassvice.com

Quick Code:

**GV\_CLEAR\_5\_DET\_WBD15**



These drawings relate only to Glass Vice® Clearline and its fixings. All other elements are shown indicative only.

© 2021. The copyright of this document is the property of Glass Vice Limited and shall not be reproduced, copied, loaned or disposed of directly, or indirectly, nor used for any purpose other than that for which it is specifically furnished without prior consent.

gv\_clearline.rvt  
All dimensions in millimetres



# Glass Vice® Clearline

Glass Vice® Clearline

Clearline with Aluminium Gutter - 220 x 110mm - For 15 and 15.5 mm glass

Date: Dec 2021  
Scale: 1 : 5  
1.04

www.glassvice.com  
Phone +64 9 414 6565  
info@glassvice.com

Quick Code:

**GV\_CLEAR\_5\_DET\_WBD20**

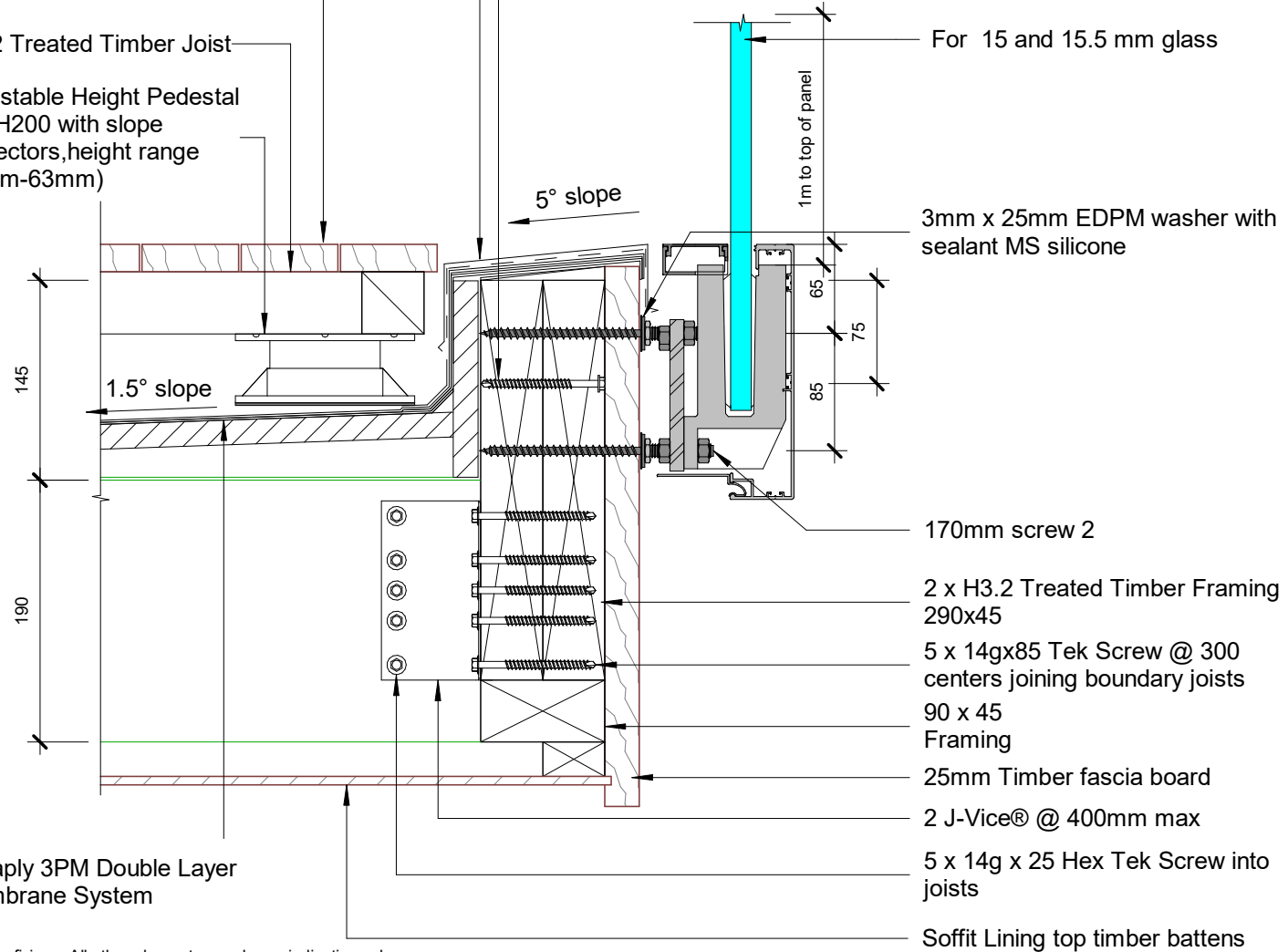
14gx85 Tek Screw @ 300 centers  
joining boundary joists

Cap flashing all 3 sides on timber  
packer to fall

25mm THK H3.2 treated timber  
decking

H3.2 Treated Timber Joist

Adjustable Height Pedestal  
(DPH200 with slope  
correctors,height range  
45mm-63mm)



For 15 and 15.5 mm glass

3mm x 25mm EDPM washer with  
sealant MS silicone

170mm screw 2

2 x H3.2 Treated Timber Framing  
290x45

5 x 14gx85 Tek Screw @ 300  
centers joining boundary joists

90 x 45  
Framing

25mm Timber fascia board

2 J-Vice® @ 400mm max

5 x 14g x 25 Hex Tek Screw into  
joists

Soffit Lining top timber battens

Nuraply 3PM Double Layer  
Membrane System

These drawings relate only to Glass Vice® Clearline and its fixings. All other elements are shown indicative only.

© 2021. The copyright of this document is the property of Glass Vice Limited and shall not be reproduced, copied, loaned or disposed of directly, or indirectly, nor used for any purpose other than that for which it is specifically furnished without prior consent.

gv\_clearline.rvt  
All dimensions in millimetres



**Glass Vice® Clearline**

GlassVice®

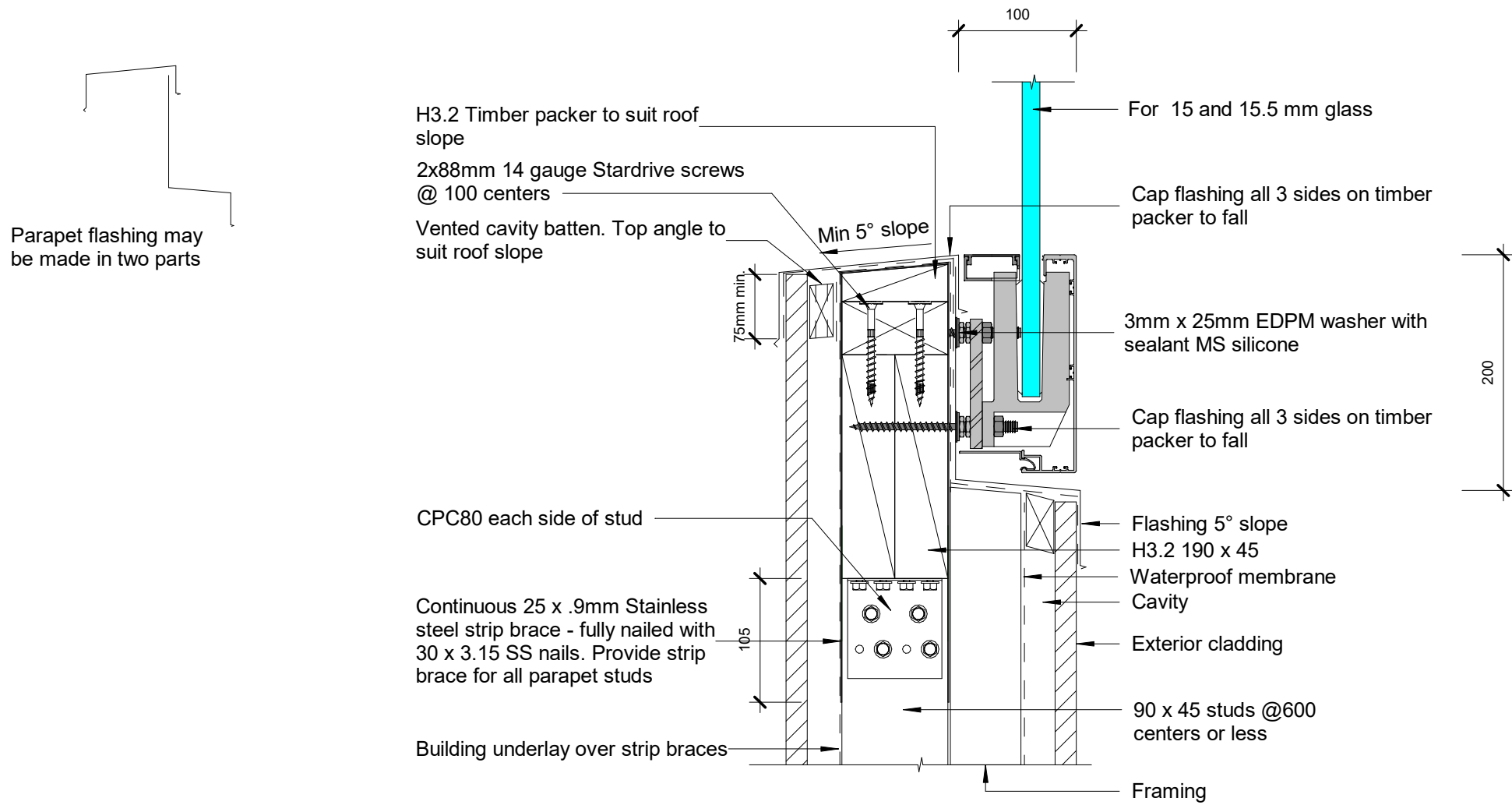
Deck Nib Connection Juliet Balcony - For 15 and 15.5 mm glass

Date: Dec 2021  
Scale: 1 : 5  
1.04

Quick Code:

www.glassvice.com  
Phone +64 9 414 6565  
info@glassvice.com

**GV\_CLEAR\_5\_DET\_WBD25**



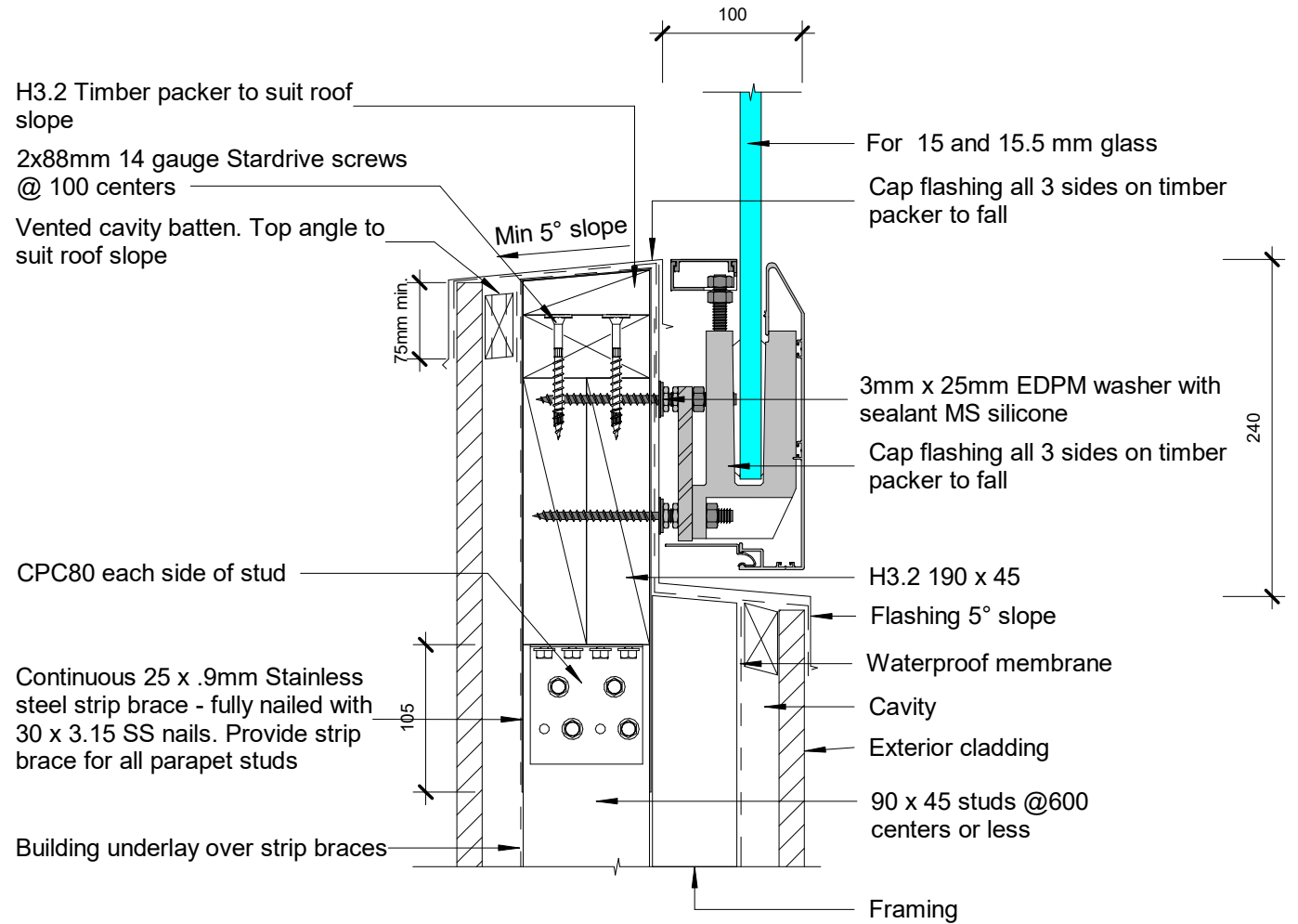
These drawings relate only to Glass Vice® Clearline and its fixings. All other elements are shown indicative only.

© 2021. The copyright of this document is the property of Glass Vice Limited and shall not be reproduced, copied, loaned or disposed of directly, or indirectly, nor used for any purpose other than that for which it is specifically furnished without prior consent.

gv\_clearline.rvt  
All dimensions in millimetres



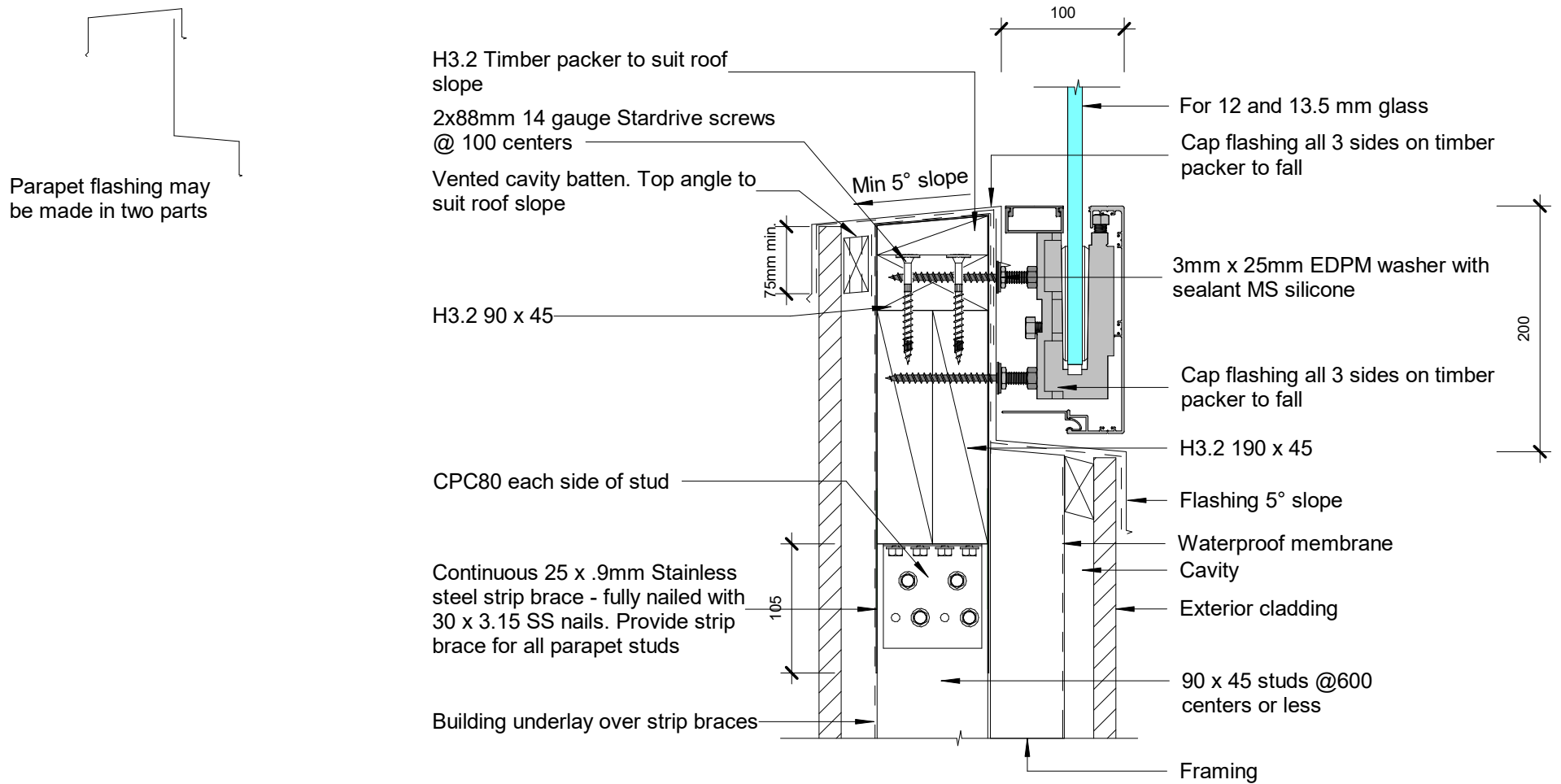
Parapet flashing may be made in two parts



These drawings relate only to Glass Vice® Clearline and its fixings. All other elements are shown indicative only.

© 2021. The copyright of this document is the property of Glass Vice Limited and shall not be reproduced, copied, loaned or disposed of directly, or indirectly, nor used for any purpose other than that for which it is specifically furnished without prior consent.

gv\_clearline.rvt  
All dimensions in millimetres

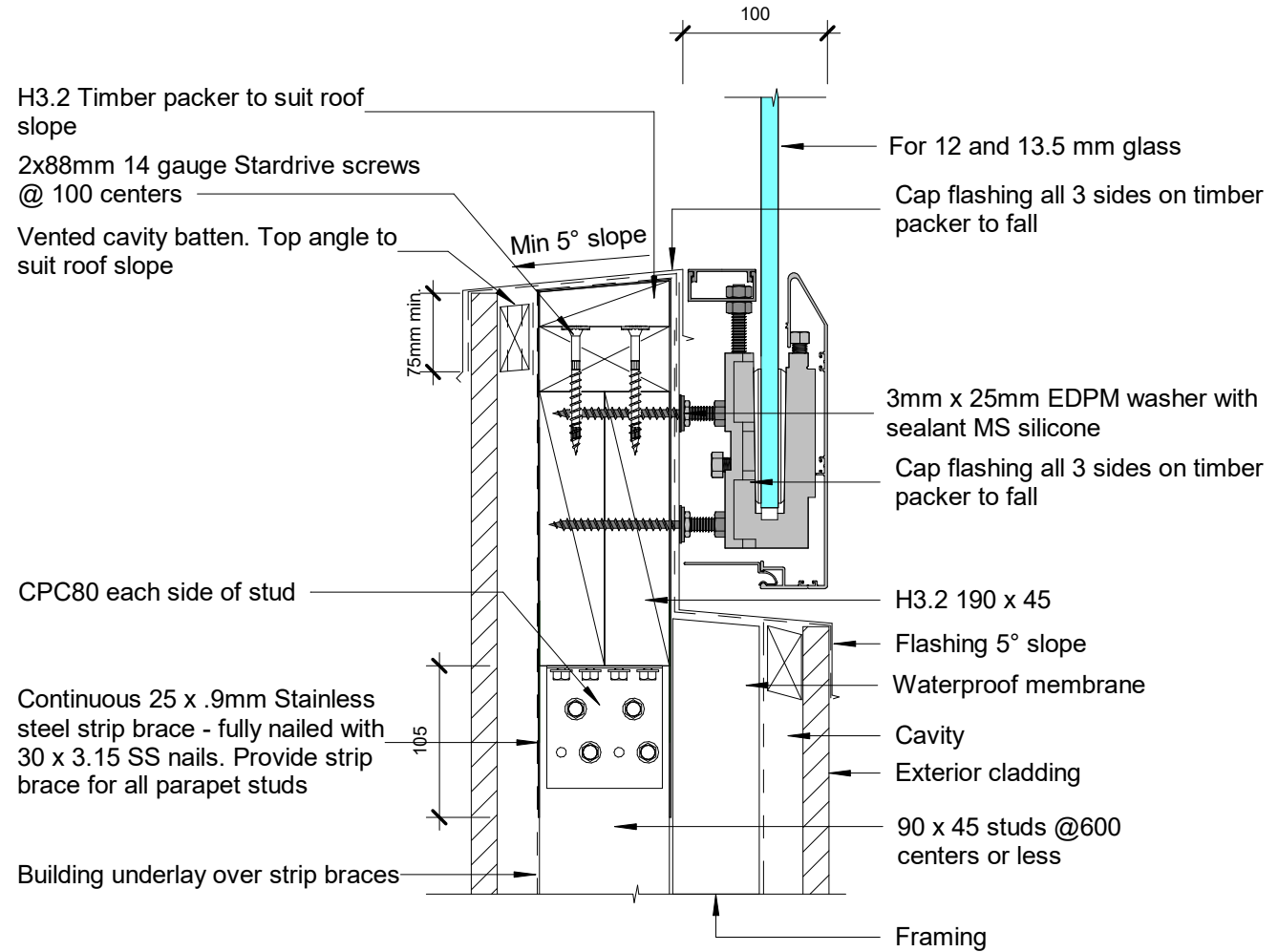


These drawings relate only to Glass Vice® Clearline and its fixings. All other elements are shown indicative only.

© 2021. The copyright of this document is the property of Glass Vice Limited and shall not be reproduced, copied, loaned or disposed of directly, or indirectly, nor used for any purpose other than that for which it is specifically furnished without prior consent.

gv\_clearline.rvt  
All dimensions in millimetres

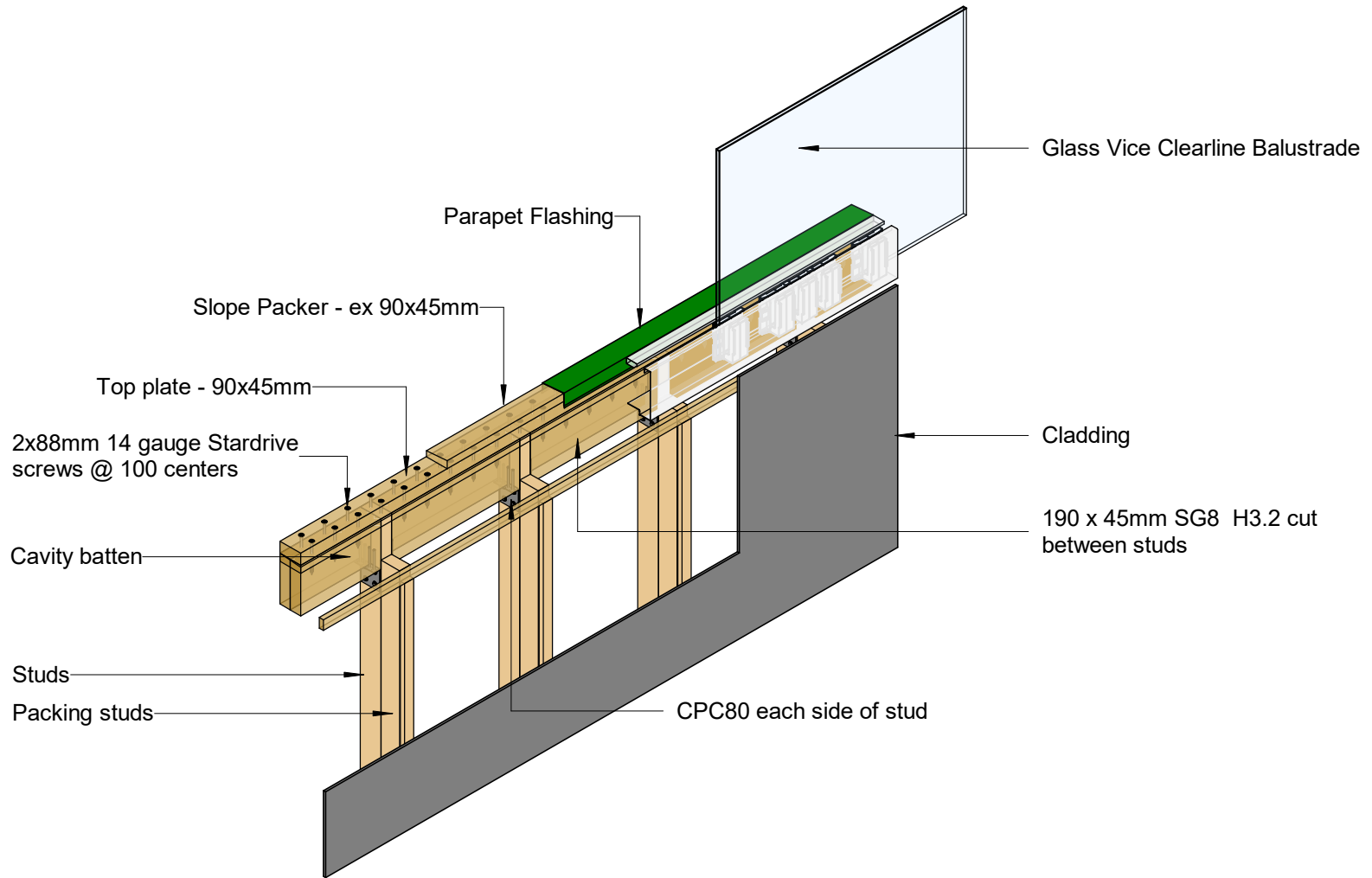
Parapet flashing may be made in two parts



These drawings relate only to Glass Vice® Clearline and its fixings. All other elements are shown indicative only.

© 2021. The copyright of this document is the property of Glass Vice Limited and shall not be reproduced, copied, loaned or disposed of directly, or indirectly, nor used for any purpose other than that for which it is specifically furnished without prior consent.

gv\_clearline.rvt  
All dimensions in millimetres



These drawings relate only to Glass Vice® Clearline and its fixings. All other elements are shown indicative only.

© 2021. The copyright of this document is the property of Glass Vice Limited and shall not be reproduced, copied, loaned or disposed of directly, or indirectly, nor used for any purpose other than that for which it is specifically furnished without prior consent.

gv\_clearline.rvt  
All dimensions in millimetres